

NOTES:

1. NO KNOCKOUTS TO BE REMOVED.
2. ATTACH DAMPER PLATE TO HOUSING WITH PC 363 POP RIVET.
3. LOCATION OF IMPELLER TO BE .178/.098 FROM EDGE OF IMPELLER TO INSIDE OF HOUSING SHELL.
4. COIL LEADS INSIDE CONDUIT BOX AFTER TESTING AND ASSEMBLE COVER.
5. PACK 1 PER CONTAINER, 150 MAX. PER PALLET, PACKING ASSY. 87854000, 30 CONTAINERS PER LAYER, 5 LAYERS PER PALLET, P.S. 88834200 AND 88834408.
6. CARTON LABELS MUST ALL FACE ONE DIRECTION TOWARD THE OPEN END OF THE PALLET. SEE P.S. 88834408.
7. NO PACKAGING TAPE OVER CARTON LABEL.

APPLICATION

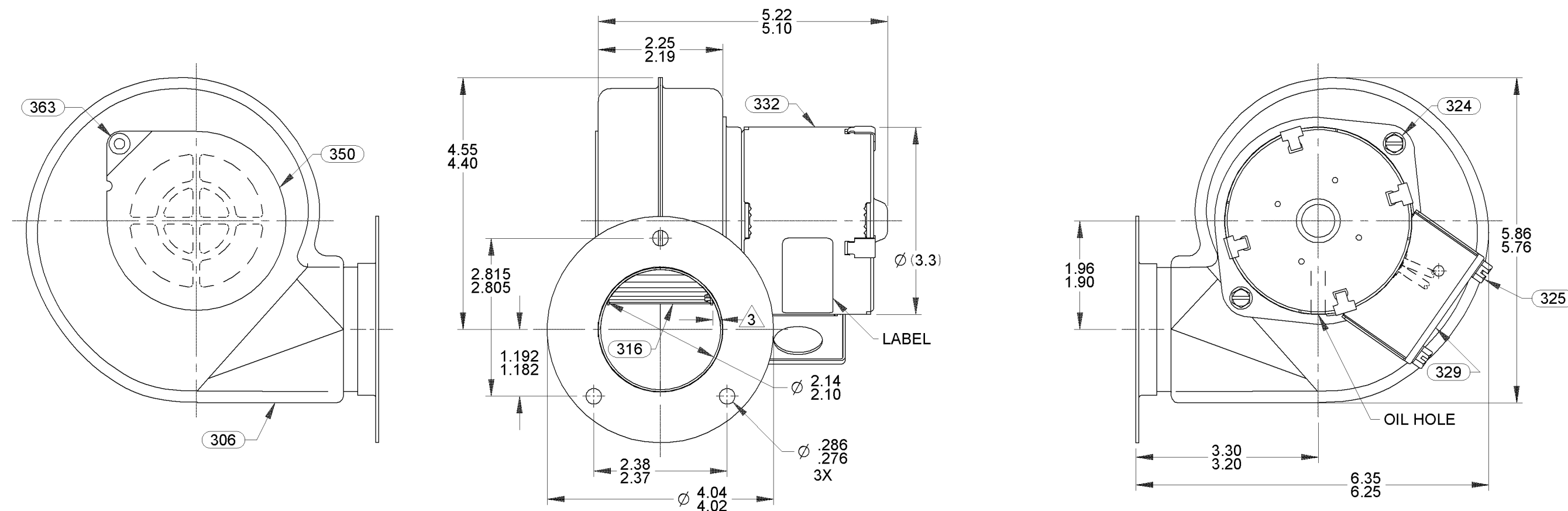
THERMALLY PROTECTED
CLASS "B" INSULATION

B	LA	FR	A	S	C	E	B	A
01	21	30	V	01	AE	5	1	0

CUSTOMER FASCO DIST.

CUSTOMER PART NO. 50747-D401

LEAD MATERIAL
18 GA. 125°C 2/64 INSUL.
X-LINKED POLY. BLK
8.00/6.00 IN. LONG
.56/.44 IN. STRIP



TYPICAL PERFORMANCE TEST DATA IN FREE AIR

ECO. NO.	REV.	DATE	APPROVAL	AT 115 VOLTS 60 HZ.			APPROVALS	DATE
				R.P.M.	WATTS	AMPS		
4001948	20	05/06/11	MLM/PLA	3020	38	.45	DRAWN SDM	04/14/2005
4008840	21	4/8/2013	SDM/KSA				CHECKED JMH	04/14/2005
4011389	22	1/24/2014	BGP/SDM					
				BLOWER WEIGHT 3 1/2 LBS.			END PLAY .050/.010	FINISH COLOR BLACK

UNLESS OTHERWISE SPECIFIED DIMENSIONS ARE IN INCHES TOLERANCES ARE:
FRACTIONS ± 1/16 DECIMALS XX ± .01 ANGLES ± 1°
XXX ± .005

FASCO FASCO MOTORS GROUP
AC MOTOR/BLOWER DIVISION

CONFIDENTIAL: DO NOT DUPLICATE OR DISCLOSE TO THIRD PARTIES WITHOUT WRITTEN PERMISSION OF FASCO MOTORS GROUP, AC MOTOR/BLOWER DIVISION.

TITLE
BLOWER ASSEMBLY

SIZE **B** DWG. NO. 7021 7607 REV. 22

DO NOT SCALE DRAWING SHEET 1 OF 1