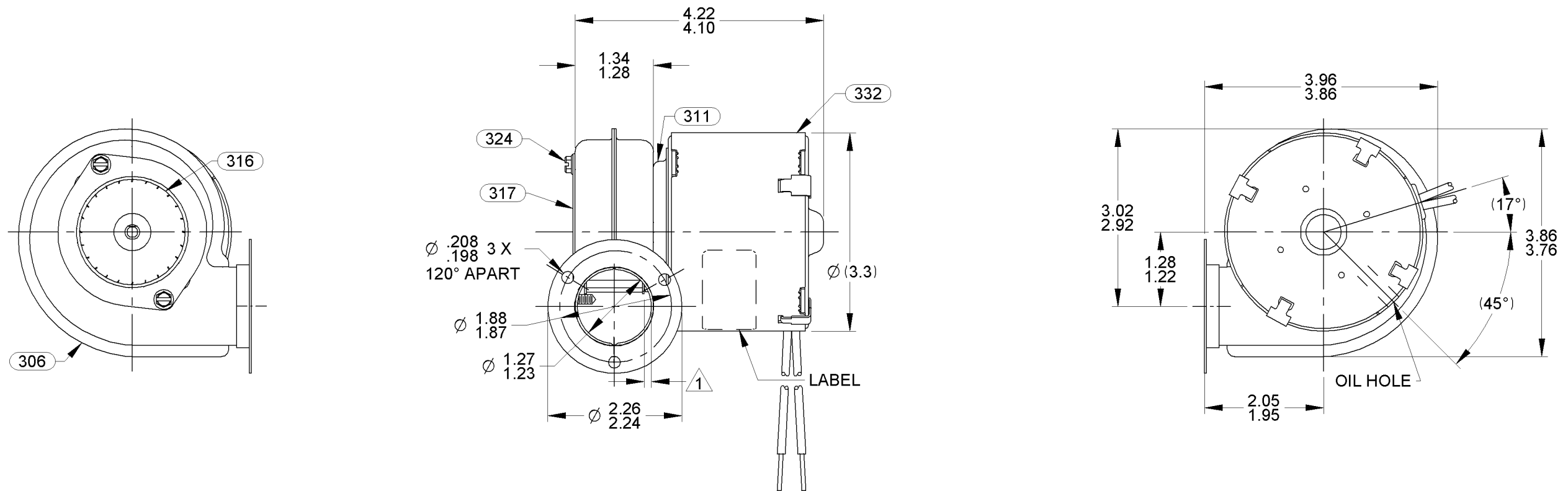


NOTES:

1. LOCATION OF IMPELLER TO BE .160/.080 FROM EDGE OF IMPELLER TO INSIDE OF HOUSING SHELL.
2. PACK 1 PER CONTAINER, 360 MAX. PER PALLET, PACKING ASSY. 87854000, 72 CONTAINERS PER LAYER, 5 LAYERS PER PALLET, P.S. 88834200 AND P.S. 88834408.
3. CARTON LABELS MUST ALL FACE ONE DIRECTION TOWARD THE OPEN END OF THE PALLET. SEE P.S. 88834408.
4. NO PACKAGING TAPE OVER CARTON LABEL.

APPLICATION	B	LA	FR	A	S	C	E	B	A
IMPEDANCE PROTECTED	10	21	30	V	01	OW	0	1	0
CUSTOMER	FASCO DIST.								
CUSTOMER PART NO.	50745-D500								

LEAD MATERIAL  
 18 GA. 125°C 2/64 INSUL.  
 X-LINKED POLY. (2) BLACK  
 20.00/18.00 IN. LONG  
 .68/.56 IN. STRIP



TYPICAL PERFORMANCE TEST DATA IN FREE AIR

ECO. NO.	REV.	DATE	APPROVAL
4001856	48	04/29/11	MLM/PLA
4007484	49	11/30/2012	MLM/SED
4008420	50	2/25/2013	SDM/BGP
4008801	51	4/3/2013	SDM/KSA

AT 115 VOLTS 60 HZ.		
R.P.M.	WATTS	AMPS
3150	17	.23
BLOWER WEIGHT LBS.		END PLAY .030/.010

UNLESS OTHERWISE SPECIFIED DIMENSIONS ARE IN INCHES TOLERANCES ARE:		
FRACTIONS ± 1/16	DECIMALS XX ± .01 XXX ± .005	ANGLES ± 1°
APPROVALS	DATE	
DRAWN JLL	8/3/2004	
CHECKED PLA	8/3/2004	
FINISH COLOR BLACK		

**FASCO** FASCO MOTORS GROUP  
 AC MOTOR/BLOWER DIVISION

CONFIDENTIAL: DO NOT DUPLICATE OR DISCLOSE TO THIRD PARTIES WITHOUT WRITTEN PERMISSION OF FASCO MOTORS GROUP, AC MOTOR/BLOWER DIVISION.

TITLE <b>BLOWER ASSEMBLY</b>		
SIZE <b>B</b>	DWG. NO. 7021 2312	REV. 51
DO NOT SCALE DRAWING		SHEET 1 OF 1