

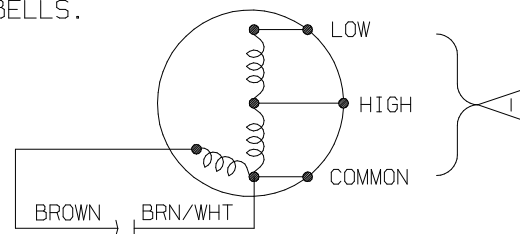
SPECIFICATIONS

MOTOR OPERATING ENVIRONMENT: INDOOR  
 LOAD APPLICATION: EVAPORATOR BLOWER  
 SHAFT POSITION: HORIZONTAL  
 SHAFT MATERIAL: HARDENED STEEL (BONDERIZED)  
 ENCLOSURE & FRAME TYPE: 48 FRAME. VENTILATED SHELL & END BELLS.  
 END PLAY: .002 - .025  
 BEARING TYPE: BALL BEARING  
 OILING FEATURES: NONE  
 ELECTRICAL LEADS: NOTED ON DRAWING

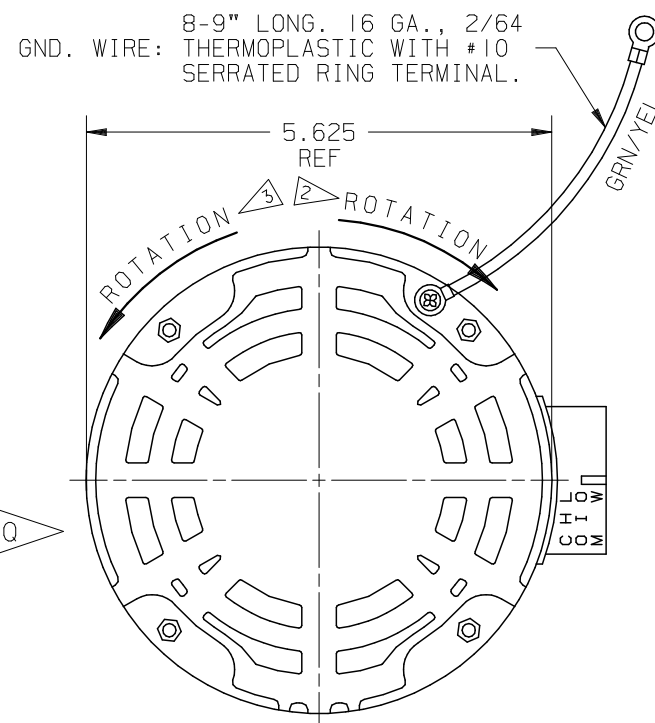
CAPACITOR: 7.5 mfd. / 370 VAC  
 WINDING INSULATION: CLASS B  
 MOUNTING MEANS: BELLYBAND AROUND SHELL  
 THERMAL PROTECTOR: 130° C  
 U.L. RECOGNIZED: YES cULus  
 C.S.A. RECOGNIZED: NO  
 SOUND LEVEL: Q.C. IGNORE  
 MAX. ALLOWABLE TEMPERATURE RISE: 55° C  
 MAX. ALLOWABLE UNBALANCE: Q.C. IGNORE  
 MOTOR TYPE: PSC - 6 POLE  
 NOMINAL VOLTS: 115  
 FULL LOAD AMPS: 2.4  
 MAX. BEARING TEMP.: 190°F.  
 MAX. WINDING TEMP.: 329°F.  
 ROTATION: REVERSIBLE (TO BE RECEIVED AS C.C.W.L.E.)

ACCEPTANCE CONDITIONS

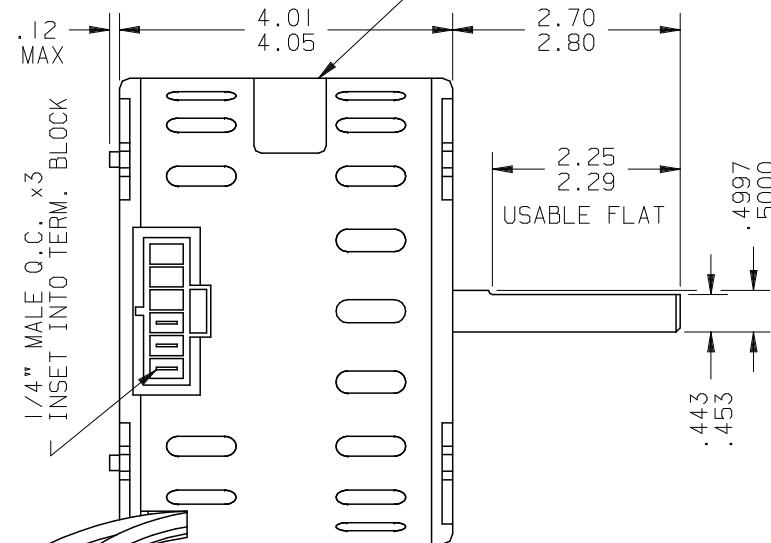
MOTORS SUPPLIED MUST CONFORM TO THE DIMENSIONAL, MECHANICAL, DYNAMOMETER AND SOUND LEVEL SPECIFICATIONS PER SAMPLE MOTOR LISTED UNDER APPROVED VENDOR. MOTORS RECEIVED WILL BE SUBJECT TO QUALITY CONTROL INSPECTION & TEST BEFORE FINAL NOTIFICATION AND APPROVAL.



- 1 TERMINALS TO BE IDENTIFIED BY A PRINTED STICKER (VISIBLE FROM LEAD END) ON TERMINAL BLOCK.
- 2 ROTATION IS C.W. (LEAD END) WHEN ROTATION WIRES ARE CONNECTED ORG. TO ORG. & YEL. TO YEL.
- 3 ROTATION IS C.C.W. (LEAD END) WHEN ROTATION WIRES ARE CONNECTED YEL. TO ORG. & ORG. TO YEL.



ZHONGSHAN BROAD-OCEAN MOTOR CO.  
 PART NO.: Y7L623C012  
 115 V, 60 HZ, 1 PH, 2.4 A  
 1/5 H.P., 1130-1000 RPM  
 ROT. REV. CAP. 7.5/370, THERM. PROT. 1468A312



28"±1 LONG, 16 GA. 4/64  
 CAP. WIRES: 125°C EPDM INSULATION. WITH 1/4" O.C. TERMS.

ROTATION WIRES:  
 7"±1 LONG, 18 GA., 2/64 125°C EPDM INSULATION WITH 1/4" INSULATED FEMALE O.C. TERMINALS AND MATING INSULATED MALE O.C. TERMINALS

| COLD MOTOR INSPECTION DATA (AMBIENT 25° ± 3°)<br>DYNAMOMETER MODEL HD-705-6 |       |    |                     |           |                       |
|---|-------|----|---------------------|-----------|-----------------------|
| SETTINGS  |       |    | TEST SPECIFICATIONS |           |                       |
| SPEED TAP   | VOLTS | Hz | RPM                 | MAX. AMPS | MIN. TORQUE (Oz. In.) |
| HIGH  | 115   | 60 | 1130                | 2.58      | 193.6                 |
| LOW   | 115   | 60 | 1000                | 1.96      | 147.7                 |
| MIN. LOCKED ROTOR TORQUE - LOW SPEED  |       |    |                     |           | 44.6                  |

APPROVED VENDOR: ZHONGSHAN BROAD-OCEAN MOTOR CO.  
 PART NO.: Y7L623C012  
 SAMPLE NO.: S-091126-01-003

S.R.O. # 1469A3129  
 CONSISTS OF 1468A312 MOTOR INDIVIDUALLY PACKED IN A RESHIPABLE CARTON. STAMP CARTON: "ONE 1468A3129 MOTOR"

Q THIS DIMENSION, DETAIL OR SPECIFICATION IS CRITICAL AND NOT SUBJECT TO MRB ACTION.

| REF. DWG.                                     | TOLERANCES DECIMAL                  | UNLESS OTHERWISE SPECIFIED DIMENSION CODE  | NOTE CODE                    | MATERIAL |
|---|-------------------------------------|--|------------------------------|----------|
|   | .x ± .1<br>.xx ± .06<br>.xxx ± .030 | A DIM. TO TANGENT POINT<br>B DIM. TO INSIDE MOLD LINE<br>C DIM. TO OUTSIDE MOLD LINE | F FLUSH WITHIN<br>S SPOTWELD |          |
|   | ANGULAR ± 3°<br>FRACTIONAL ±        |  | BEND RADIUS - SCALE PRINT    |          |
| ALL DIMENSIONS IN INCHES - DO NOT SCALE PRINT |                                     |  |                              |          |

|              |                     |
|--------------|---------------------|
| FINISH SPEC. | NAME                |
|              | MOTOR (BROAD-OCEAN) |

|  |        |          |          |
|--|--------|----------|----------|
| R. V. PRODUCTS DIVISION OF AIRCEL INCORPORATED WICHITA, KANSAS |        |          |          |
| SCALE  | DATE   | DRAWN BY | APPROVED |
| --   | 2-9-10 | AL       | D.G.     |
| SHT. 3   |        |          |          |
| NO. 1468A312   |        |          |          |

REVISIONS

| LTR | DATE    | BY | CHKD | DESCRIPTION   |
|-----|---------|----|------|---|
| B   | 2-9-10  | AL | AL   | NEW SHEET OF DRAWING WITH BROAD-OCEAN AS VENDOR.      |
| C   | 8-3-11  | AL | AL   | ROTATION WIRES WERE CONNECTED: YEL TO YEL, ORG TO ORG |
| D   | 9-20-11 | AL | AL   | RECEIVED AS "CCWLE" WAS "CWLE" TO MATCH REVISION C    |