

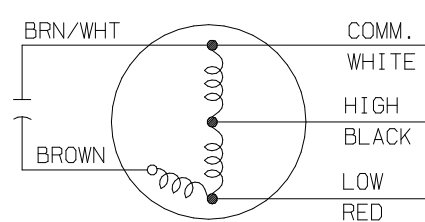
SPECIFICATIONS

MOTOR OPERATING ENVIRONMENT: OUTDOOR  
 LOAD APPLICATION: EVAP. BLOWER / COND. FAN  
 SHAFT POSITION: HORIZONTAL  
 SHAFT MATERIAL: HARDENED STEEL  
 ENCLOSURE & FRAME TYPE: 42 FRAME. VENTILATED ENDS & LOWER SIDES.  
 END PLAY: .005 MIN. - .050 MAX.  
 BEARING TYPE: SLEEVE BEARING  
 OILING FEATURES: NONE  
 ELECTRICAL LEADS: NOTED ON DRAWING

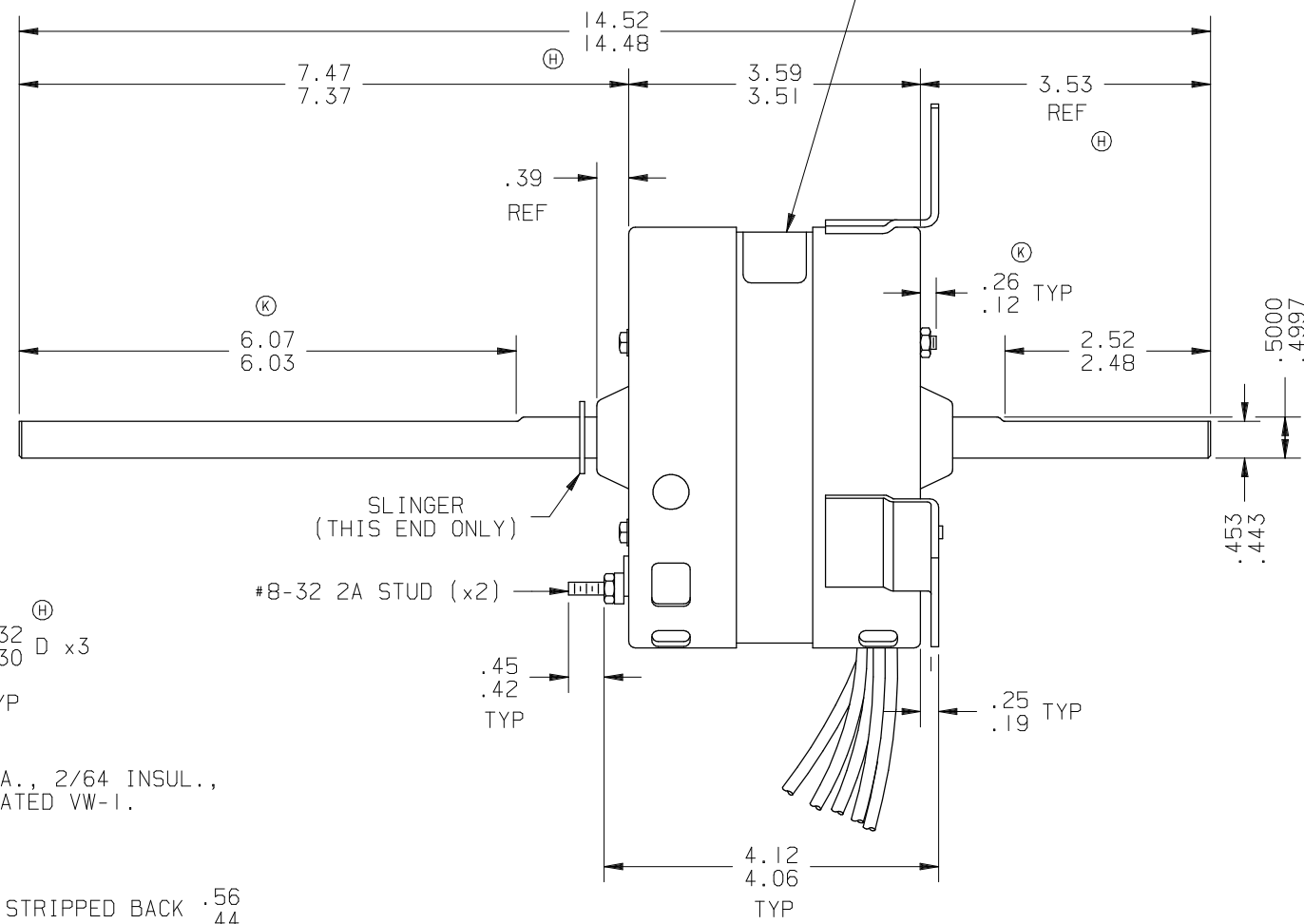
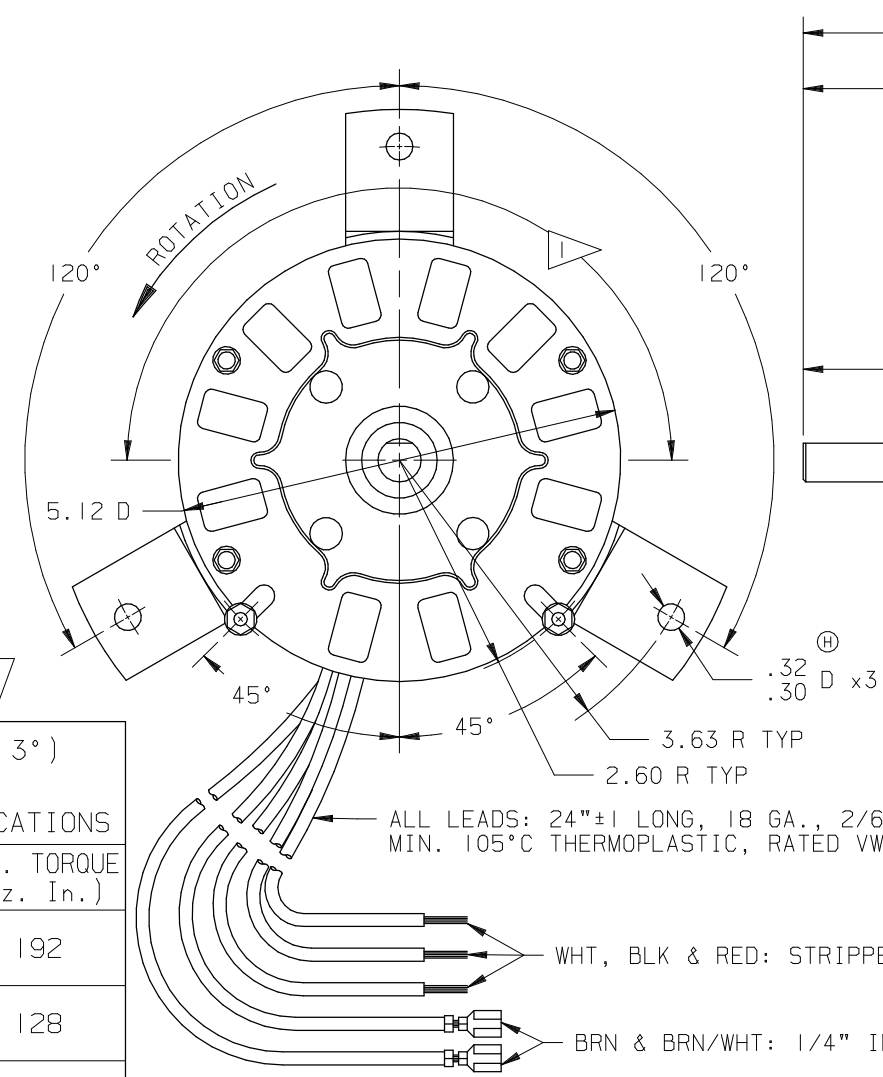
CAPACITOR: 7.5 mfd. / 370 VAC  
 WINDING INSULATION: CLASS B  
 MOUNTING MEANS: MOUNTING EARS  
 THERMAL PROTECTOR: TI 7AM036-A5  
 U.L. RECOGNIZED: YES  
 C.S.A. RECOGNIZED: YES  
 SOUND LEVEL: Q.C. IGNORE  
 MAX. ALLOWABLE TEMPERATURE RISE: 55° C  
 MAX. ALLOWABLE UNBALANCE: Q.C. IGNORE  
 MOTOR TYPE: PSC - 4 POLE  
 NOMINAL VOLTS: 115  
 FULL LOAD AMPS: 3.4  
 MAX. BEARING TEMP.: 190°F.  
 MAX. WINDING TEMP.: 329°F.  
 ROTATION: C.W. LEAD END

ACCEPTANCE CONDITIONS

MOTORS SUPPLIED MUST CONFORM TO THE DIMENSIONAL, MECHANICAL, DYNAMOMETER AND SOUND LEVEL SPECIFICATIONS PER SAMPLE MOTOR LISTED UNDER APPROVED VENDOR. MOTORS RECEIVED WILL BE SUBJECT TO QUALITY CONTROL INSPECTION & TEST BEFORE FINAL NOTIFICATION AND APPROVAL.



NAMEPLATE DATA  
 FASCO P/N 7184-0118 TYPE U184B1  
 R.V.P. P/N 1468A304  
 115 V. 60 Hz. 1 PH.  
 1/3 H.P. 3.4 AMPS  
 1675/1080 RPM 2 SPEED  
 CAP. 7.5uF - 370 V.



NO SIDE OPENINGS PERMITTED IN THIS 180° AREA.

ALL LEADS: 24"±1 LONG, 18 GA., 2/64 INSUL., MIN. 105°C THERMOPLASTIC, RATED VW-1.  
 WHT, BLK & RED: STRIPPED BACK .56  
 .44  
 BRN & BRN/WHT: 1/4" IN-LINE Q.C. TERMINALS

COLD MOTOR INSPECTION DATA (AMBIENT 25° ± 3°)  
 DYNAMOMETER MODEL HD-705-6

SETTINGS				TEST SPECIFICATIONS	
SPEED TAP	VOLTS	Hz	RPM	MAX. AMPS	MIN. TORQUE (Oz. In.)
HIGH	115	60	1625	3.53	192
LOW	115	60	1080	3.66	128
MIN. LOCKED ROTOR TORQUE - LOW SPEED				45	

APPROVED VENDOR: FASCO (TYPE U184B1)  
 PART NO.: 7184-0118  
 SAMPLE NO.:

S.R.O. # 1469A3049 (FASCO # 7184-0118C)  
 CONSISTS OF 1468A304 MOTOR INDIVIDUALLY PACKED IN A RESHIPABLE CARTON.  
 STAMP CARTON: "ONE 1468A3049 MOTOR" AND WITH MOTOR SERIAL NO.

THIS DIMENSION, DETAIL OR SPECIFICATION IS CRITICAL AND NOT SUBJECT TO MRB ACTION.

REF. DWG.	TOLERANCES DECIMAL .x ± .1 .xx ± .06 .xxx ± .030 ANGULAR ± 1° FRACTIONAL ± 1/32 ALL DIMENSIONS IN INCHES - DO NOT SCALE PRINT	UNLESS OTHERWISE SPECIFIED DIMENSION CODE NOTE CODE A DIM. TO TANGENT POINT B DIM. TO INSIDE MOLD LINE C DIM. TO OUTSIDE MOLD LINE	F FLUSH WITHIN S SPOTWELD BEND RADIUS - SCALE PRINT
-----------	--	---	---

MATERIAL		RECREATION VEHICLE	
FINISH SPEC.		PRODUCTS INCORPORATED WICHITA, KANSAS	
NAME		SCALE NONE	DATE 5-20-96
MOTOR (FASCO)		DRAWN BY AL	APPROVED P.R.
NO. 1468A304		SHEET 4 OF 4	

REVISIONS

LTR	DATE	BY	CHKD	DESCRIPTION
G	5-20-96	AL	AL	NEW SHEET OF DRAWING WITH 42 FRAME FASCO
H	6-19-96	AL	AL	ADDED .32/.30 D, 14.52/14.48 & "REF" TO 3.53 TO MATCH VENDOR PRINT.
I	12-3-96	AL	AL	ADDED FASCO S.R.O. #
J	7-31-97	AL	AL	"A5" SUFFIX ON THERMAL PROTECTOR WAS "AB"
K	9-4-97	AL	AL	6.07/6.03 WAS 4.02/3.98, .26/.12 WAS .31/.20 PER VENDOR REQUEST