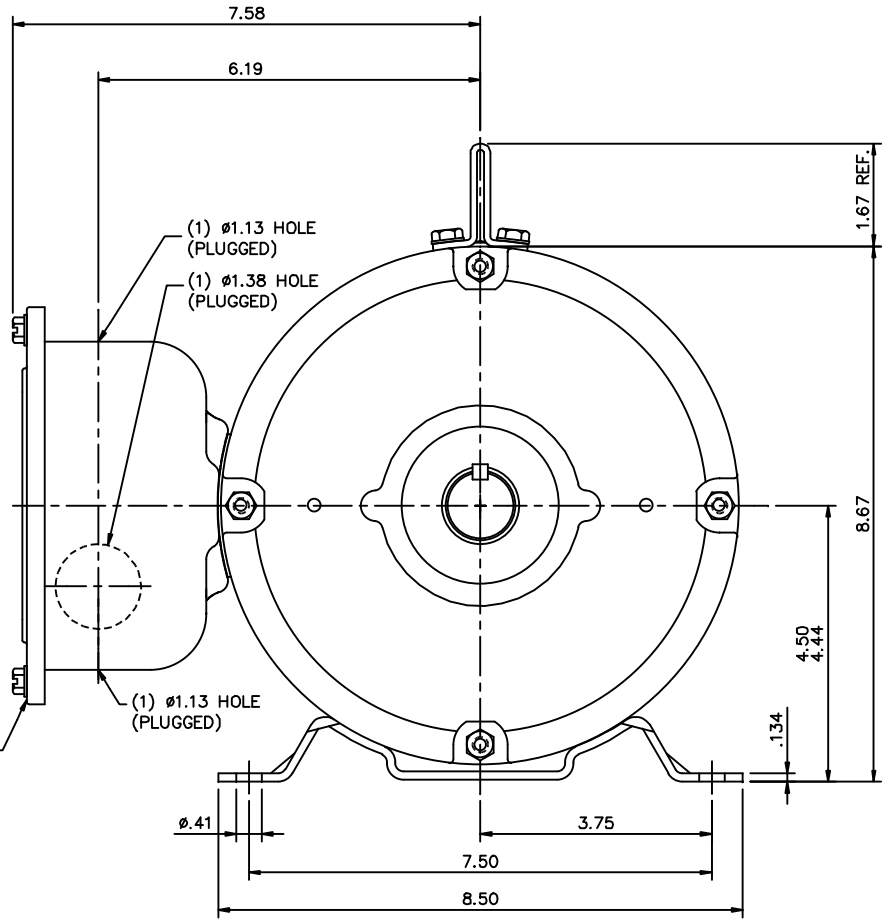



FRAME	"C"	"AD"
1000	14.21	6.50
1050	14.71	7.00
1100	15.21	7.50
1150	15.71	8.50
1200	16.21	9.00
1250	16.71	9.50

DECAL - CONNECTION UNDERCOVER



GASKETS THROUGHOUT

				TOLERANCES UNLESS SPECIFIED				DRAWN GR 07/17/12	
				DEC.	INCHES			CHK VS 07/17/12	
				.X	±.1	APPD		SCALE 1-2	
				.XX	±.03	TITLE		REF 035655	
				.XXX	±.005	OUTLINE- 180T FRAME DRIP PROOF- RIGID		FMF V200	
				.XXXX	±.0005	MATT'L		PREV	
01	UPDATED "AD" DIMENSION	VS 10/8/2012	BY & DATE	CHK	ANG	±1/2'	FINISH		
THIS DRAWING IN DESIGN AND DETAIL IS OUR PROPERTY AND MUST NOT BE USED EXCEPT IN CONNECTION WITH OUR WORK ALL RIGHTS OF DESIGN AND INVENTION ARE RESERVED THIS IS AN ELECTRONICALLY GENERATED DOCUMENT - DO NOT SCALE THIS PRINT				RFP	CAD FILE	035655CY	SIZE	DRAWING NO.	REV.
				DIST			B	035655CY	01