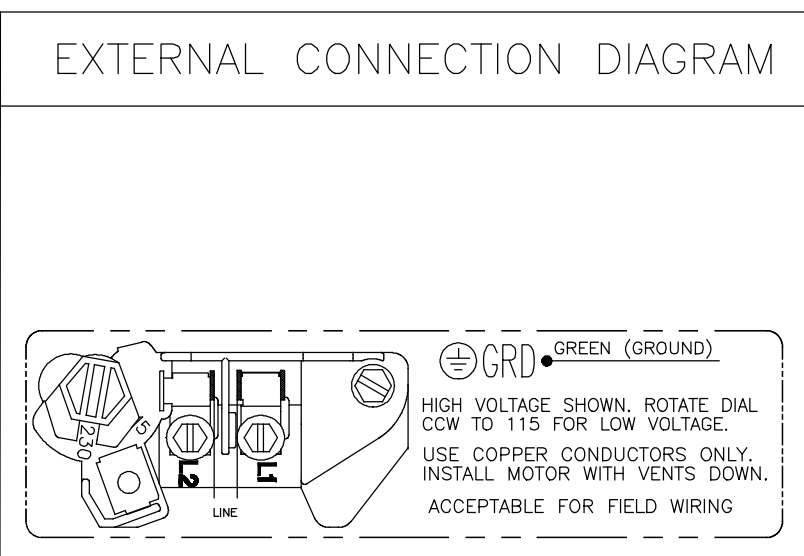
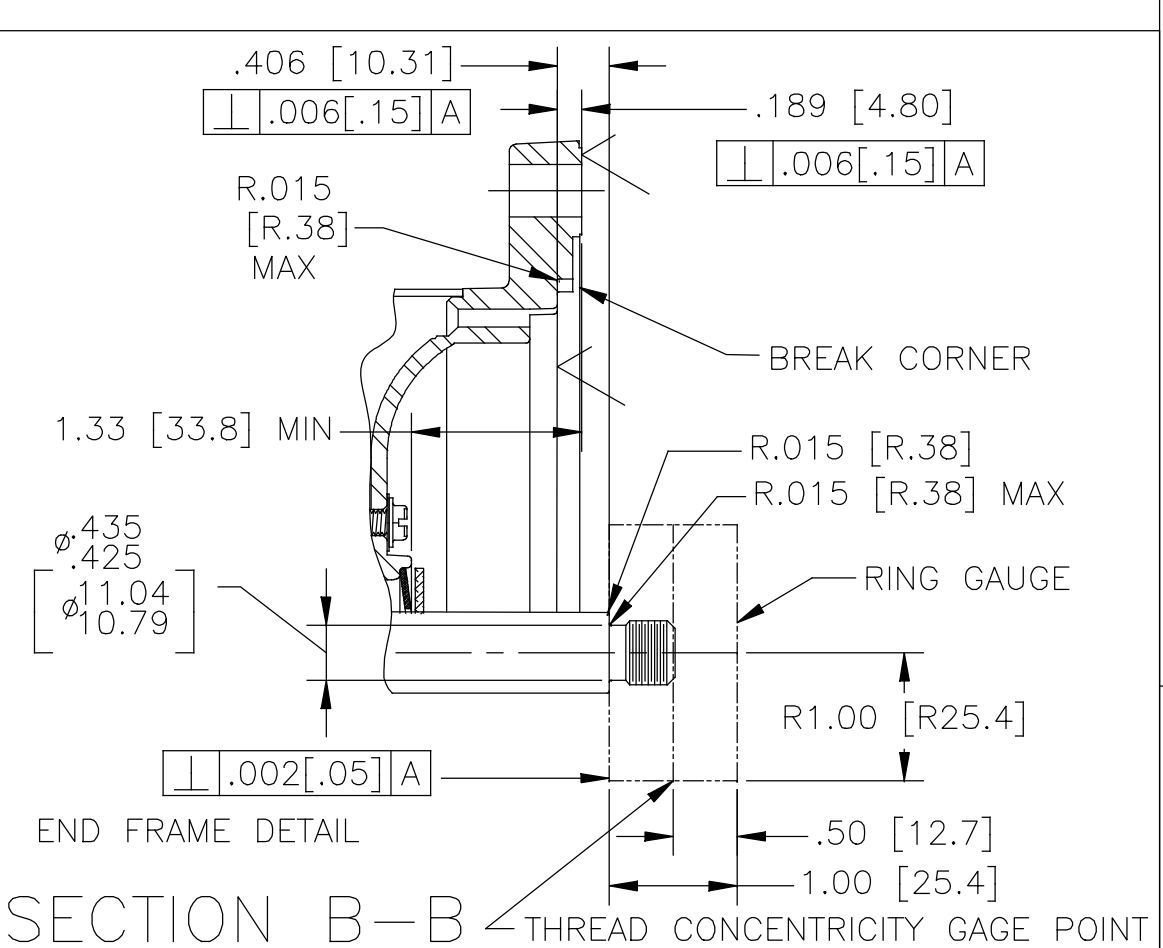


NAMEPLATE DATA	
MODEL: K48K2PA101A2	CUST PN: UQC1102
HP: 1.0	SF: 1.25
ROT: CCWPE	
RPM: 3450	
TYPE: UAK	CODE: J
FORM: FRAME: 48Y	
VOLTS: 230/115	
AMPS:	
MAX AMPS: 6.3/12.6	
SF AMPS: -	
PH: 1	HZ: 60
INS: B	AMB: 50°C
DUTY: CONT	
ENCLOSURE: ODP	
THERMALLY PROTECTED TYPE B	



- NOTES
1. FINISH PAINT TO BE SATIN BLACK.
 2. .44 [11.2] WRENCH FLATS ON SHAFT—FOR ACCESS TO THIS WRENCH FLAT REMOVE END COVER.
 3. STAINLESS STEEL SHAFT EXT.
 4. LIMITS ON AMPLITUDE OF VIBRATION MEASURED AT BEARING HOUSING=.001 [.03].
 5. CAPACITOR HOUSING TO BE LOCATED WITHIN ±2.5° OF VERTICAL ϕ OF END FRAME (P.E.).



PERFORMANCE CURVE	APPROVED SAMPLE		
K48K2W1			
UL COMPONENT	CSA		
FILE#	CCN#	FILE#	GUIDE#
E25022	XEWR2	LR43341	4211-01
CUSTOMER	DISTRIBUTION SERVICES		

DRAWING REVISION	REVISION BY	DATE	TOLERANCES UNLESS OTHERWISE SPECIFIED	DRAWN BY:	REGAL™ Regal Beloit America, Inc.
E	APPROVED BY	DATE	DEC. INCH mm ANGLE	JLG	
ECO			.XX ±0.1 [±2.5] ±0.5°	DATE:	DESCRIPTION
ECO-0165900			.XX ±0.02 [±0.51]	05-12-2009	
ECO DESCRIPTION			.XXX ±0.005 [±0.127]	APPROVED BY:	MODEL-PFHP-48FR
SEE ECO			.XXXX ±0.0005 [±0.0127]		
COPYRIGHT REGAL BELOIT AMERICA, INC. ALL RIGHTS RESERVED. PROPRIETARY AND CONFIDENTIAL INFORMATION - THIS DOCUMENT IS THE PROPERTY OF REGAL BELOIT AMERICA, INC. (OWNER) AND CONTAINS OWNER'S PROPRIETARY INFORMATION. ANY PERSON, CORPORATION OR OTHER FIRM RECEIVING IT IS DEEMED, BY RECEIVING IT, TO AGREE THAT IT, AND/OR ANY PART OF IT, SHALL NOT BE DISCLOSED TO ANY PERSON, CORPORATION OR OTHER ENTITY, DUPLICATED, AND/OR USED, EXCEPT AS EXPRESSLY APPROVED IN WRITING IN ADVANCE BY OWNER. THIS DOCUMENT SHALL BE RETURNED TO OWNER UPON REQUEST. IT MAY BE SUBJECT TO CERTAIN RESTRICTIONS UNDER APPLICABLE EXPORT CONTROL LAWS AND REGULATIONS.			REMOVE BURRS & BREAK SHARP EDGES .003/.015 [0.076/.381] CORNER FILLETS .02 [51] MACHINED SURFACES 125/ mm 3/2	DATE:	PROCESS/FINISH
			mm SHOWN IN [BRACKETS]	REFERENCE	
				THIRD ANGLE PROJECTION	SIZE DWG NO
					UQC1102
					SHEET 1