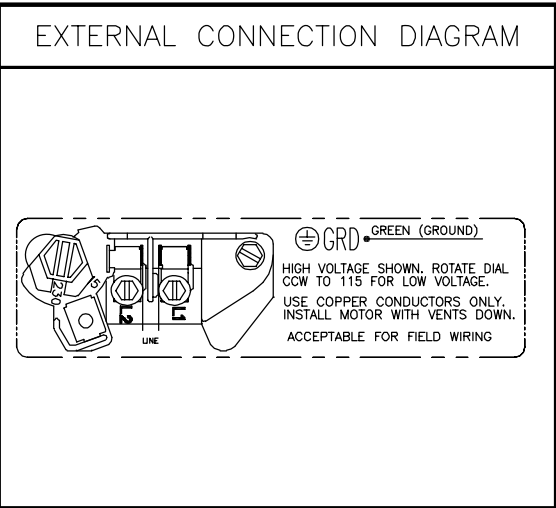
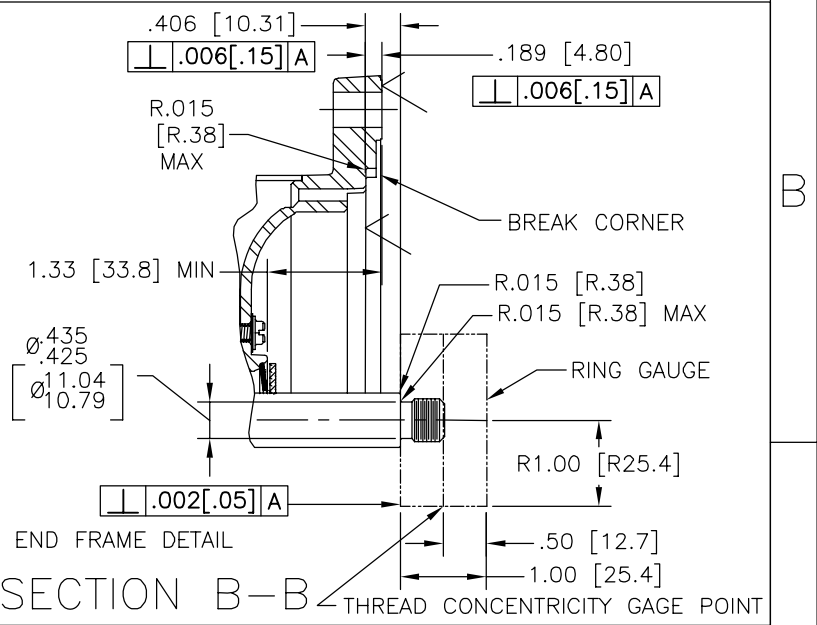


NAMEPLATE DATA	
MODEL: K48AA38A01	
CUST PN: UQC1072V1	
HP: 0.95	SF: 1.0
ROT: CCWPE	
RPM: 3450	
TYPE: UAK	CODE: J
FORM: UAK	FRAME: 48Y
VOLTS: 115/230	
AMPS:	
MAX AMPS:	
SF AMPS: 9.0/4.5	
PH: 1	HZ: 60
INS: B	AMB: 50°C
DUTY: CONT	
ENCLOSURE: ODP	
THERMALLY PROTECTED	



- NOTES
1. FINISH PAINT TO BE SATIN BLACK.
 2. .44[11.2] WRENCH FLATS ON SHAFT—FOR ACCESS TO THIS WRENCH FLAT REMOVE END COVER.
 3. STAINLESS STEEL SHAFT EXT.
 4. LIMITS ON AMPLITUDE OF VIBRATION MEASURED AT BEARING HOUSING=.001[.03].
 5. CAPACITOR HOUSING TO BE LOCATED WITHIN ±2.5' OF VERTICAL ϵ OF END FRAME (P.E.).



PERFORMANCE CURVE	APPROVED SAMPLE		
0116950			
UL COMPONENT	CSA		
FILE#	CCN#	FILE#	GUIDE#
E25022	XEWR2	LR43341	4211-01
CUSTOMER	DISTRIBUTION SERVICES		

DRAWING REVISION	REVISION BY	DATE	TOLERANCES UNLESS OTHERWISE SPECIFIED	DRAWN BY:
A			DEC. INCH mm ANGLE	MEO
ECO	APPROVED BY	DATE	.X ±0.1 [±2.5] ±0.5°	DATE: 08/12/14
ECO-57314			.XX ±0.02 [±0.51]	APPROVED BY: JR
ECO DESCRIPTION			.XXX ±0.005 [±0.127]	DATE: 08/12/14
NEW			.XXXX ±0.0005 [±0.0127]	REFERENCE
<small>COPYRIGHT REGAL BELOIT AMERICA, INC. ALL RIGHTS RESERVED. PROPRIETARY AND CONFIDENTIAL INFORMATION - THIS DOCUMENT IS THE PROPERTY OF REGAL BELOIT AMERICA, INC. (OWNER) AND CONTAINS OWNER'S PROPRIETARY INFORMATION. ANY PERSON, CORPORATION OR OTHER FIRM RECEIVING IT IS DEEMED, BY RECEIVING IT, TO AGREE THAT IT, AND/OR ANY PART OF IT, SHALL NOT BE DISCLOSED TO ANY PERSON, CORPORATION OR OTHER ENTITY, DUPLICATED, AND/OR USED, EXCEPT AS EXPRESSLY APPROVED IN WRITING IN ADVANCE BY OWNER. THIS DOCUMENT SHALL BE RETURNED TO OWNER UPON REQUEST. IT MAY BE SUBJECT TO CERTAIN RESTRICTIONS UNDER APPLICABLE EXPORT CONTROL LAWS AND REGULATIONS.</small>				DESCRIPTION: MODEL-PFHP-48FR OUTLINE MATERIAL: --- PROCESS/FINISH: --- SIZE DWG NO: UQC1072V1 SHEET: 1