

4 3 2 1

REV	ECO	REV BY	DATE	APPD	DATE
D	0025400	J.M.Ramirez	04-17-2012	R.Rascon	04-17-2012

GENERAL INFORMATION:

SHAFT RUNOUT: .001[.03] T.I.R. PER INCH LENGTH OF EXTENSION

BEARINGS: BALL

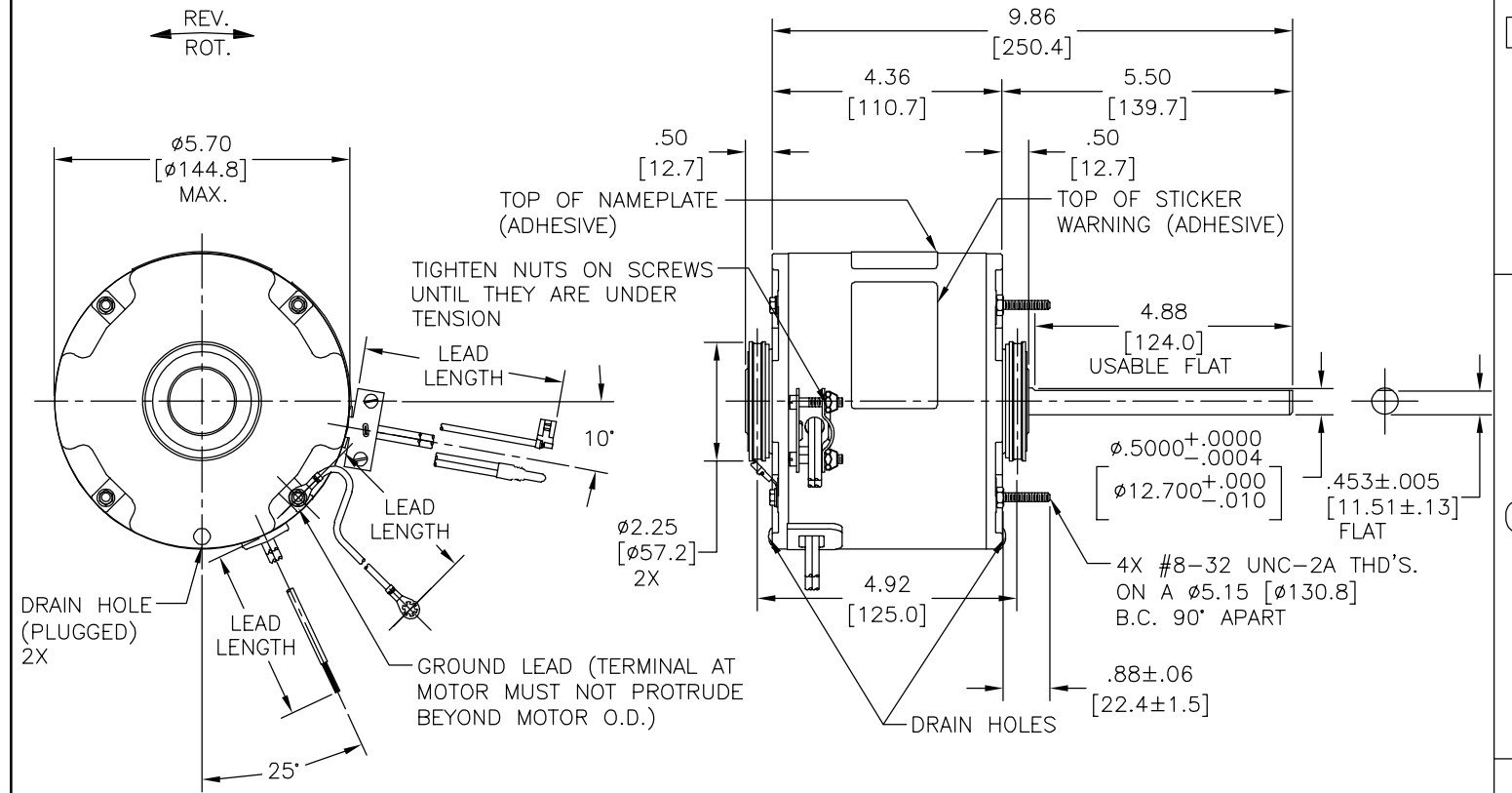
MOUNTING POSITION: ALL ANGLE

ELECTRICAL DATA:

OVERLOAD PROTECTOR: AUTOMATIC RESET (T.I. 7AM 036)

LEADS: NO. 18 GA., .03[.8] THK. XLP 125°C INSUL.

GROUND LEAD: NO. 18 GA., .03[.8] THK. (GREEN/YELLOW) INSUL.



NAMEPLATE DATA:	EXTERNAL CONNECTION DIAGRAM
MODEL NO.: F48V21A01 CUST. P/N: UHH1026 HP: 1/4 ROT.: REVERSIBLE RPM: 1075 TYPE: UF FRAME: 48Y VOLTS: 208-230 PH: 1 AMPS: 1.8 HZ: 60/50 INS.: B AMB.: 40° C DUTY: AIR OVER CAP.: 4 MFD/370 V ENCL: ENCLOSED UL LOGO CSA LOGO THERMALLY PROTECTED	SEP. CAP. BROWN BRN/WHT YELLOW BLACK BLUE PURPLE RED ORANGE SHOWN FOR CCWLE ROT. FOR CWLE INTERCHANGE PUR. & ORN. LEADS 614131-124

COLOR	LENGTH	TERMINAL OR STRIP LENGTH
GREEN/YELLOW (GROUND)	12.0/14.0 [305/356]	#10 EYELET
BROWN/WHITE	48.0/52.0 [1219/1321]	.25[6.4] FLAG
BROWN	48.0/52.0 [1219/1321]	.25[6.4] FLAG
BLUE	48.0/52.0 [1219/1321]	.60[15.2] SKIN
PURPLE	48.0/52.0 [1219/1321]	.60[15.2] SKIN
RED	48.0/52.0 [1219/1321]	.60[15.2] SKIN
ORANGE	48.0/52.0 [1219/1321]	.60[15.2] SKIN
BLACK	48.0/52.0 [1219/1321]	.60[15.2] SKIN
YELLOW	48.0/52.0 [1219/1321]	.60[15.2] SKIN

- NOTES:**
- (1) MOUNTING BASE 368C181H15
 (2) CLAMP ASSEMBLY 620836-006
 (1) CAPACITOR 628316-305
 (1) CAPACITOR CAP 260B913H01
 (1) BRACKET ASSEMBLY 616672
 (4) SPLIT RINGS 615035
 TO BE SHIPPED SEPARATE
 IN EACH CARTON WITH MOTOR.
 - MOTOR TO BE SHIPPED CONNECTED FOR CCWLE ROTATION.

PERFORMANCE CURVE NO.	TORQUE @ 1075 RPM (25°C)	APPROVED SAMPLE	UL COMPONENT FILE #	CCN #	CSA FILE #	CLASS #
C32349	25.2 OZ. FT.	0443602A	E46412	PRGY2	LR43341	4211-01

MAIN FRAME - OLE	ENCLOSED
END FRAME - OLE	ENCLOSED
MAIN FRAME - LE	ENCLOSED
END FRAME - LE	ENCLOSED

CUSTOMER	DISTRIBUTION SERVICE
----------	----------------------

GEOMETRIC CHARACTERISTICS & SYMBOLS

- FLATNESS
- STRAIGHTNESS
- ANGULARITY
- PERPENDICULARITY (SQUARENESS)
- PARALLELISM
- ROUNDNESS (CIRCULARITY)
- CYLINDRICITY
- PROFILE OF ANY SURFACE
- PROFILE OF ANY LINE
- RUNOUT
- TRUE POSITION
- CONCENTRICITY
- SYMMETRY

ASME Y14.5M 1994

REGAL-BELOIT CORPORATION (RBC) PROVIDES TECHNICAL ASSISTANCE TO OUR CUSTOMERS IN SEVERAL AREAS. SINCE RBC DOES NOT RECEIVE ALL DATA CONCERNING THE USE AND APPLICATION OF THE MOTOR, THE SUITABILITY OF THE MOTOR FOR THE APPLICATION MUST BE DETERMINED BY THE CUSTOMER.

DIMENSIONS WITHOUT TOLERANCES ARE FOR REFERENCE ONLY.

DR BY: -
 APPD: B.Shank 09-10-2004
 EDS DATE 11-11-2011
 FORMAT REV G

THIRD ANGLE PROJECTION

CONFIDENTIAL: THIS DRAWING AND ITS INFORMATION ARE THE EXCLUSIVE AND CONFIDENTIAL PROPERTY OF REGAL-BELOIT CORPORATION AND ARE NOT TO BE DISCLOSED, DUPLICATED, DISTRIBUTED OR OTHERWISE USED WITHOUT THE WRITTEN CONSENT OF REGAL-BELOIT CORPORATION. -ALL RIGHTS RESERVED.

REGAL-BELOIT CORPORATION

DESCRIPTION: MODEL-RFHP-48FR OUTLINE

SIZE: C DWG NO: F48V21A01

SCALE: NONE SHEET 1

4 3 2 1

4

3

2

1

REVISION:	ECO	REVISADO POR:	FECHA:	APROBADO POR:	FECHA:
D	0025400	J.M.Ramirez	04-17-2012	R.Rascon	04-17-2012

INFORMACION GENERAL:

OSCILACION DE FLECHA: .001[.03] L.T.I. POR PULG. DE LONG. DE EXTENSION

BALEROS: BALINES

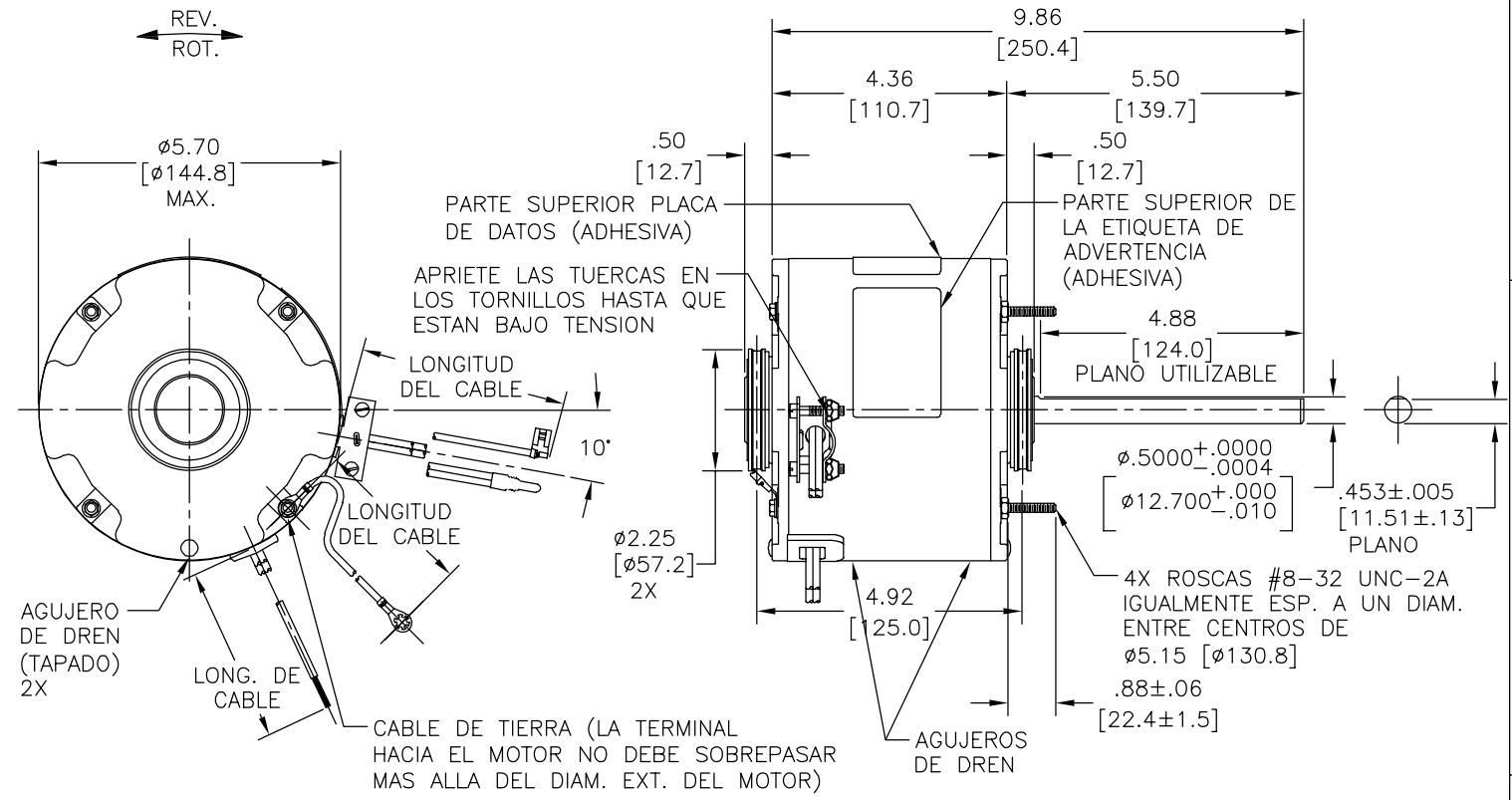
POSICION DEL MONTAJE: TODOS LOS ANGULOS

INFORMACION ELECTRICA:

PROTECTOR DE SOBRECARGA: REINICIO AUTOMATICO (T.I. 7AM 036)

CABLES: NO. 18 CALIBRE, .03[.8] ESPESOR XLP 125°C ASLAM.

CABLE DE TIERRA: NO. 18 CALIBRE, .03[.8] ESPESOR XLP 125°C AISLAM.



INFORMACION DE ETIQUETA:	DIAGRAMA DE CONEXION EXTRNA
MODEL NO.: F48V21A01 CUST. P/N: UHH1026 HP: 1/4 ROT.: REVERSIBLE RPM: 1075 TYPE: UF FRAME: 48Y VOLTS: 208-230 PH: 1 AMPS: 1.8 HZ: 60/50 INS.: B AMB.: 40° C DUTY: AIR OVER CAP.: 4 MFD/370 V ENCL: ENCLOSED UL LOGO CSA LOGO THERMALLY PROTECTED	SEP. CAP. BROWN BRN/WHT YELLOW BLACK BLUE PURPLE RED ORANGE SHOWN FOR CCWLE ROT. FOR CWLE INTERCHANGE PUR. & ORN. LEADS 614131-124

VERDE/AMARILLO (TIERRA)	12.0/14.0 [305/356]	OJAL #10
CAFE/BLANCO	48.0/52.0 [1219/1321]	.25 [6.4] BANDERA
CAFE	48.0/52.0 [1219/1321]	.25 [6.4] BANDERA
AZUL	48.0/52.0 [1219/1321]	.60 [15.2] FORRO
PURPURA	48.0/52.0 [1219/1321]	.60 [15.2] FORRO
ROJO	48.0/52.0 [1219/1321]	.60 [15.2] FORRO
NARANJA	48.0/52.0 [1219/1321]	.60 [15.2] FORRO
NEGRO	48.0/52.0 [1219/1321]	.60 [15.2] FORRO
AMARILLO	48.0/52.0 [1219/1321]	.60 [15.2] FORRO
COLOR	LONGITUD	TERMINAL O LONGITUD DE DESFORRE

- NOTAS:**
- (1) BASE DEL MONTAJE 368C81H1
 (2) EMSAMBLE DE LA ABRAZADERA 620836-006
 (1) CAPACITOR 628316-307
 (1) TAPA CAPACITOR 260B913H01
 (1) EMSAMBLE DE SOPORTE 616672
 (4) ANILLOS PARTIDOS 615035
 PARA SER SEPARADO ENVIADO EN CADA CARTON CON EL MOTOR.
 - EL MOTOR QUE SE ENVIARA CONECTO PARA LA ROTACION DE CCWLE.

CARCASA - LOC	CERRADO
TAPA - LOC	CERRADO
CARCASA - LC	CERRADO
TAPA - LC	CERRADO

CLIENTE	DISTRIBUTION SERVICE
---------	----------------------

CURVAS DE FUNCIONAMIENTO	TORSION @ 1075 RPM (25°C)	MUESTRA APROBADA	COMPONENTE UL	CSA
C32349	25.2 OZ. FT.	0443602A	#ARCHIVO PRGY2	LR43341 4211-01

CARACTERISTICAS DE GEOMETRIA Y SIMBOLOS

- PLANICIDAD
- RECTITUD
- ANGULARIDAD
- PERPENDICULARIDAD (A ESCUADRA)
- PARALELISMO
- REDONDEZ (CIRCULARIDAD)
- CILINDRICIDAD
- PERFIL DE CUALQUIER SUPERFICIE
- PERFIL DE CUALQUIER LINEA
- VARIACION
- POSICION REAL
- CONCENTRICIDAD
- SIMETRIA

REGAL-BELOIT CORPORATION (RBC) PROVEE ASISTENCIA TECNICA A NUESTROS CLIENTES EN VARIAS AREAS DESDE QUE RBC NO RECIBE TODOS LOS DATOS EN RELACION AL USO Y A LA APLICACION DEL MOTOR, LA APLICACION ADECUADA DEL MOTOR DEBE SER DETERMINADA POR EL CLIENTE.

DIMENSIONES SIN TOLERANCIA SON DE REFERENCIA SOLAMENTE

ASME Y14.5M 1994

DIBUJADO POR: -

APROBADO POR: B.Shank 09-10-2004

FECHA EDS: 11-11-2011

REV. FORMATO: G

CONFIDENCIAL: ESTE DIBUJO Y SU INFORMACION SON PROPIEDAD DE USO EXCLUSIVO Y CONFIDENCIAL DE REGAL-BELOIT CORPORATION. Y NO DEBERAN SER REVELADOS, DUPLICADOS, DISTRIBUIDOS O USARSE DE OTRA MANERA SIN EL CONSENTIMIENTO ESCRITO DE REGAL-BELOIT CORPORATION. -TODOS LOS DERECHOS RESERVADOS.

DESCRIPCION: MODEL-RFHP-48FR OUTLINE

TAMAÑO: C NUMERO DE DIBUJO: F48V21A01

ESCALA: NONE HOJA: 1

4

3

2

1

