

GENERAL INFORMATION:

SHAFT RUNOUT: .001 [.03] T.I.R. PER INCH LENGTH OF EXTENSION.

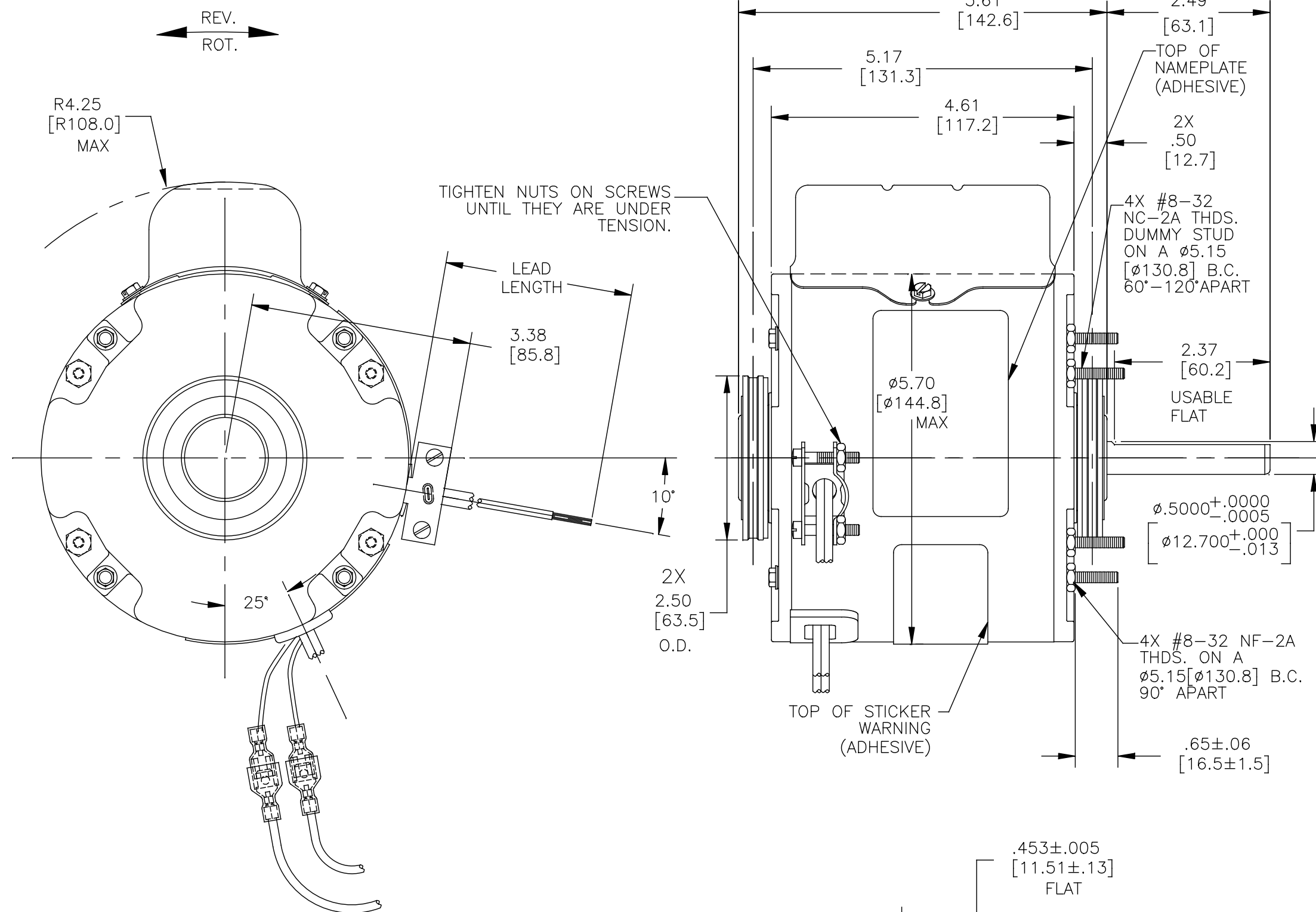
BEARINGS: BALL

MOUNTING POSITION: HORIZONTAL

ELECTRICAL DATA:

OVERLOAD PROTECTOR: AUTOMATIC RESET (SENSATA 7AM 036)

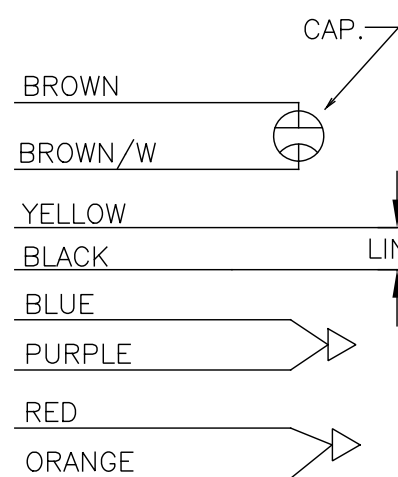
LEADS: NO. 18 GA., .03 [.8] THK. XLP, 125°C INSUL.



NAMEPLATE DATA:

MODEL NO.: F48E63A01
 CUST. P/N: UH1036
 HP: 1/3
 ROT.: REVERSIBLE
 RPM: 1075
 TYPE: UF
 FRAME: 48Y
 VOLTS: 115
 PH: 1
 AMPS: 5.3
 HZ: 60
 INS.: A
 AMB.: 40° C
 DUTY: AIR OVER
 CAP.: 5 MFD/370V
 ENCL: ENCLOSED
 UL LOGO
 CSA LOGO
 THERMALLY PROTECTED

EXTERNAL CONNECTION DIAGRAM



614131-124

BLUE	5.0/7.0 [127/178]	PRE-INSUL. FEMALE SPADE
PURPLE	5.0/7.0 [127/178]	PRE-INSUL. MALE TAB
RED	5.0/7.0 [127/178]	PRE-INSUL. FEMALE SPADE
ORANGE	5.0/7.0 [127/178]	PRE-INSUL. MALE TAB
BROWN/WHITE	CONNECTED TO CAPACITOR	.25 [6.4] FLAG
BROWN	CONNECTED TO CAPACITOR	.25 [6.4] FLAG
BLACK	58.0/62.0 [1473/1574]	.60 [15.2] SKIN
YELLOW	58.0/62.0 [1473/1574]	.60 [15.2] SKIN
COLOR	LENGTH	TERMINAL OR STRIP LENGTH

LEAD DATA

DRAWING REVISION G	REVISION BY A.SUN	DATE 12-04-2016
ECO ECO-0114009	APPROVED BY J.ZHU	DATE 12-04-2016
ECO DESCRIPTION SEE ECO		

COPYRIGHT REGAL BELOIT AMERICA, INC. ALL RIGHTS RESERVED. PROPRIETARY AND CONFIDENTIAL INFORMATION - THIS DOCUMENT IS THE PROPERTY OF REGAL BELOIT AMERICA, INC. (OWNER) AND CONTAINS OWNER'S PROPRIETARY INFORMATION. ANY PERSON, CORPORATION OR OTHER FIRM RECEIVING IT IS DEEMED, BY RECEIVING IT, TO AGREE THAT IT, AND/OR ANY PART OF IT, SHALL NOT BE DISCLOSED TO ANY PERSON, CORPORATION OR OTHER ENTITY, DUPLICATED, AND/OR USED, EXCEPT AS EXPRESSLY APPROVED IN WRITING IN ADVANCE BY OWNER. THIS DOCUMENT SHALL BE RETURNED TO OWNER UPON REQUEST. IT MAY BE SUBJECT TO CERTAIN RESTRICTIONS UNDER APPLICABLE EXPORT CONTROL LAWS AND REGULATIONS.

REGAL-BELOIT CORPORATION (RBC) PROVIDES TECHNICAL ASSISTANCE TO OUR CUSTOMERS IN SEVERAL AREAS. SINCE RBC DOES NOT RECEIVE ALL DATA CONCERNING THE USE AND APPLICATION OF THE MOTOR, THE SUITABILITY OF THE MOTOR FOR THE APPLICATION MUST BE DETERMINED BY THE CUSTOMER.

DIMENSIONS WITHOUT TOLERANCES ARE FOR REFERENCE ONLY.

MAIN FRAME - OLE	ENCLOSED
END FRAME - OLE	ENCLOSED
MAIN FRAME - LE	ENCLOSED
END FRAME - LE	ENCLOSED

- NOTES:
- 1X MOUNTING BASE AND 2X MOUNTING CLAMP ASSEMBLIES TO BE SHIPPED SEPARATELY IN EACH CARTON WITH MOTOR.
 2. MOTOR SHIPPED CONNECTED FOR CCWLE ROTATION.

PERFORMANCE CURVE NO.	TORQUE @ 1075 RPM (25°C)	APPROVED SAMPLE	UL COMPONENT	CSA
C31027	33.3 OZ. FT.	93AC451B	FILE # E46412 CCN # PRGY2	FILE # LR43341 CLASS # 4211-01

ENCLOSURE

DRAWN BY: Y.LIU	DATE: 03-12-2012
APPROVED BY: B.SHEN	DATE: 03-12-2012
REFERENCE	
THIRD ANGLE PROJECTION	

REGAL™ Regal Beloit America, Inc.

MODEL-RFHP-48FR
 OUTLINE

MATERIAL	PROCESS/FINISH
SIZE DWG NO	UH1036
SHEET	1