

GENERAL INFORMATION:

SHAFT RUNOUT: .001[.025] T.I.R. PER INCH LENGTH OF EXTENSION.

BEARINGS: BALL

MOUNTING POSITION: HORIZONTAL

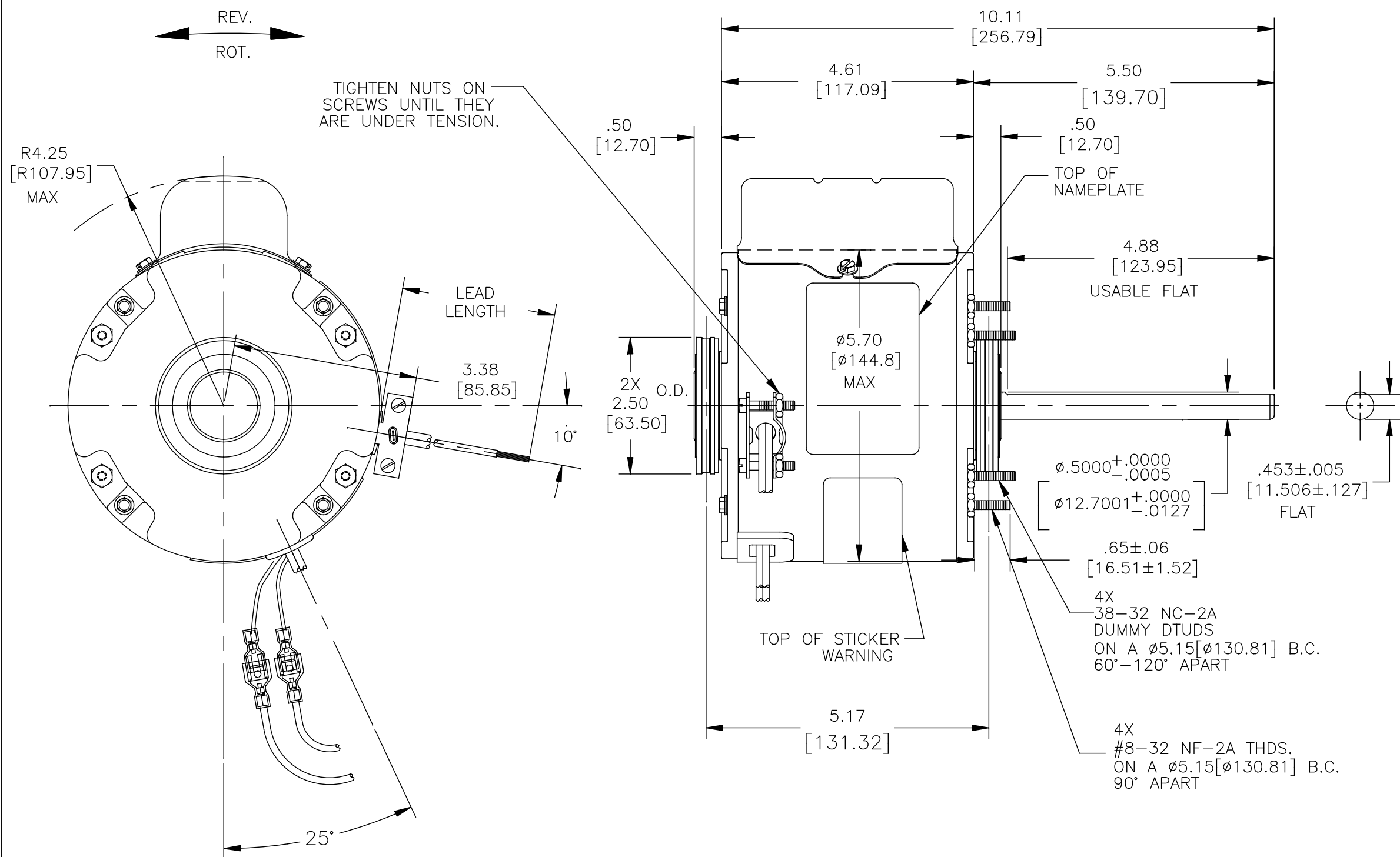
ELECTRICAL DATA:

OVERLOAD PROTECTOR: AUTOMATIC RESET (T.I. 7AM 032)

LEADS: NO. 18 GA., .03[.76] THK. CROSS-LINKED POLYETHELENE, 125°C INSUL.

NOTE:

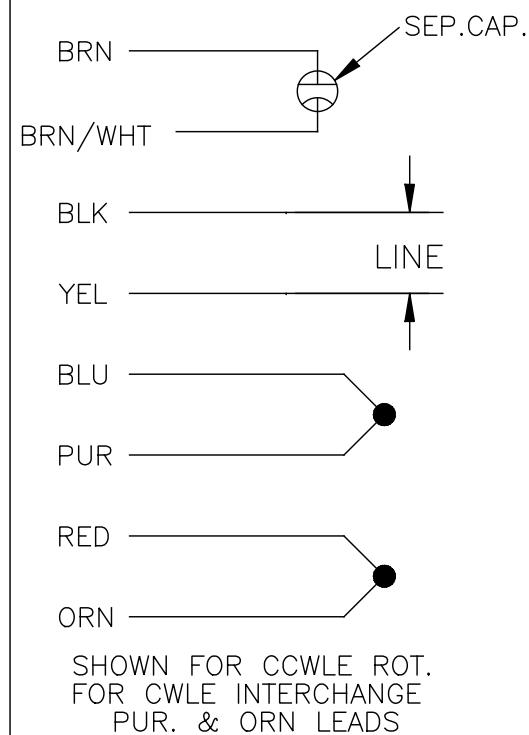
- 1x MOUNTING BASE AND 2x MOUNTING CLAMP ASSEMBLIES TO BE SHIPPED SEPARATELY IN EACH CARTON WITH MOTOR.
- MOTOR SHIPPED CONNECTED FOR CCWLE ROTATION.



NAMEPLATE DATA:

MODEL: F48V02A01
 CUST. P/N: UH1036V1
 HP: 1/3
 ROT.: REVERSIBLE
 RPM: 1075
 TYPE: UF
 FRAME: 48Y
 VOLTS: 115
 PH: 1
 AMPS: 5.3
 HZ: 60
 INS.: A
 AMB: 40°C
 DUTY: AIR OVER
 CAP.: 5 MFD/370 V
 ENCL: ENCLOSED
 UL LOGO
 CSA LOGO
 THERMALLY PROTECTED

EXTERNAL CONNECTION DIAGRAM



BLUE	5/7 [127/178]	PRE-INSUL. SPADE TERM.
PURPLE	5/7 [127/178]	PRE-INSUL. TAB TERM.
RED	5/7 [127/178]	PRE-INSUL. SPADE TERM.
ORANGE	5/7 [127/178]	PRE-INSUL. TAB TERM.
BROWN/WHITE	CONNECTED TO CAPACITOR	.25[6.35] FLAG
BROWN	CONNECTED TO CAPACITOR	.25[6.35] FLAG
BLACK	58/62 [1473/1575]	.60[15.24] SKIN
YELLOW	58/62 [1473/1575]	.60[15.24] SKIN
COLOR	LENGTH	TERMINAL OR STRIP LENGTH

LEAD DATA			
FILE #	PRGY2	FILE #	260-φ-0

REGAL-BELOIT CORPORATION (RBC) PROVIDES TECHNICAL ASSISTANCE TO OUR CUSTOMERS IN SEVERAL AREAS. SINCE RBC DOES NOT RECEIVE ALL DATA CONCERNING THE USE AND APPLICATION OF THE MOTOR, THE SUITABILITY OF THE MOTOR FOR THE APPLICATION MUST BE DETERMINED BY THE CUSTOMER.

DIMENSIONS WITHOUT TOLERANCES ARE FOR REFERENCE ONLY.

MAIN FR.-OLE	ENCLOSED
END FR.-OLE	ENCLOSED
MAIN FR.-LE	ENCLOSED
END FR.-LE	ENCLOSED

CUST.	DISTRIBUTION SERVICE
-------	----------------------

DRAWING REVISION A	REVISION BY A.SUN	DATE 12-09-2016
ECO-0114391	APPROVED BY J.ZHU	DATE 12-09-2016
ECO DESCRIPTION NMR		

DRAWN BY: A.SUN
DATE: 12-09-2016
APPROVED BY: J.ZHU
DATE: 12-09-2016
REFERENCE

Regal Beloit America, Inc.	
DESCRIPTION	MODEL-RFHP-48FR OUTLINE
MATERIAL	PROCESS/FINISH
THIRD ANGLE PROJECTION	SIZE DWG NO. UH1036V1
	SHEET 1

COPYRIGHT REGAL-BELOIT AMERICA, INC. ALL RIGHTS RESERVED. PROPRIETARY AND CONFIDENTIAL INFORMATION - THIS DOCUMENT IS THE PROPERTY OF REGAL-BELOIT AMERICA, INC. (OWNER) AND CONTAINS OWNER'S PROPRIETARY INFORMATION. ANY PERSON, CORPORATION OR OTHER FIRM RECEIVING IT IS DEEMED, BY RECEIVING IT, TO AGREE THAT IT, AND/OR ANY PART OF IT, SHALL NOT BE DISCLOSED TO ANY PERSON, CORPORATION OR OTHER ENTITY, DUPLICATED, AND/OR USED, EXCEPT AS EXPRESSLY APPROVED IN WRITING IN ADVANCE BY OWNER. THIS DOCUMENT SHALL BE RETURNED TO OWNER UPON REQUEST. IT MAY BE SUBJECT TO CERTAIN RESTRICTIONS UNDER APPLICABLE EXPORT CONTROL LAWS AND REGULATIONS.