

GENERAL INFORMATION:

SHAFT RUNOUT: .001[.025] T.I.R. PER LENGTH OF EXTENSION

BEARINGS: BALL

MOUNTING POSITION: HORIZONTAL

ELECTRICAL DATA:

OVERLOAD PROTECTOR: AUTOMATIC RESET (SENSATA 7AM 036)

LEADS: NO. 18 GA., .03[.76] THK. CROSS-LINKED POLYETHYLENE. 125° C INSL.

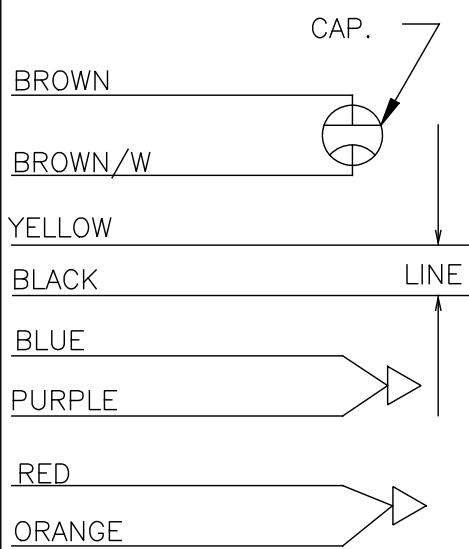
- NOTE:
 1. MOTOR SHIPPED CONNECTED FOR CCWLE ROTATION.
 2. DISTRIBUTION: CUST. P/N: UH1016NB
 GRAINGER: CUST. P/N: 4LY86

SEE NOTE 2

NAMEPLATE DATA:

MODEL: F48U61A01
 CUST. P/N: UH1016NB
 HP: 1/6
 ROT: REVERSIBLE
 RPM: 1075
 TYPE: UF
 FRAME: 48Y
 VOLTS: 115
 PH: 1
 AMPS: 2.2
 HZ: 60
 INS: B
 AMB: 60° C
 DUTY: AIR OVER
 CAP.: 5 MFD/370V
 ENCL: ENCLOSED
 UL LOGO
 CSA LOGO
 THERMALLY PROTECTED

EXTERNAL CONNECTION DIAGRAM



SHOWN FOR CCWLE ROT. FOR CWLE ROT. INTERCHANGE PURPLE AND ORANGE LEADS.

614131-124

PERFORMANCE CURVE NO.	TORQUE @1075 RPM (25°C)	APPROVED SAMPLE	UL COMPONENT		CSA	
			FILE #	CCN #	FILE #	CLASS #
C31497	15.9 OZ. FT.	97AC294A	E46412	PRGY2	LR43341	260-0-0

BLUE	5/7[127/178]	PRE-INSUL. SPADE TERM.
PURPLE	5/7[127/178]	PRE-INSUL. TAB TERM.
RED	5/7[127/178]	PRE-INSUL. SPADE TERM.
ORANGE	5/7[127/178]	PRE-INSUL. TAB TERM.
BROWN/WHITE	CONNECTED TO CAPACITOR	.25[6.4] FLAG
BROWN	CONNECTED TO CAPACITOR	.25[6.4] FLAG
BLACK	58/62[1473/1574]	.60[15.2] SKIN
YELLOW	58/62[1473/1574]	.60[15.2] SKIN
COLOR	LENGTH	TERMINAL OR STRIP LENGTH

LEAD DATA

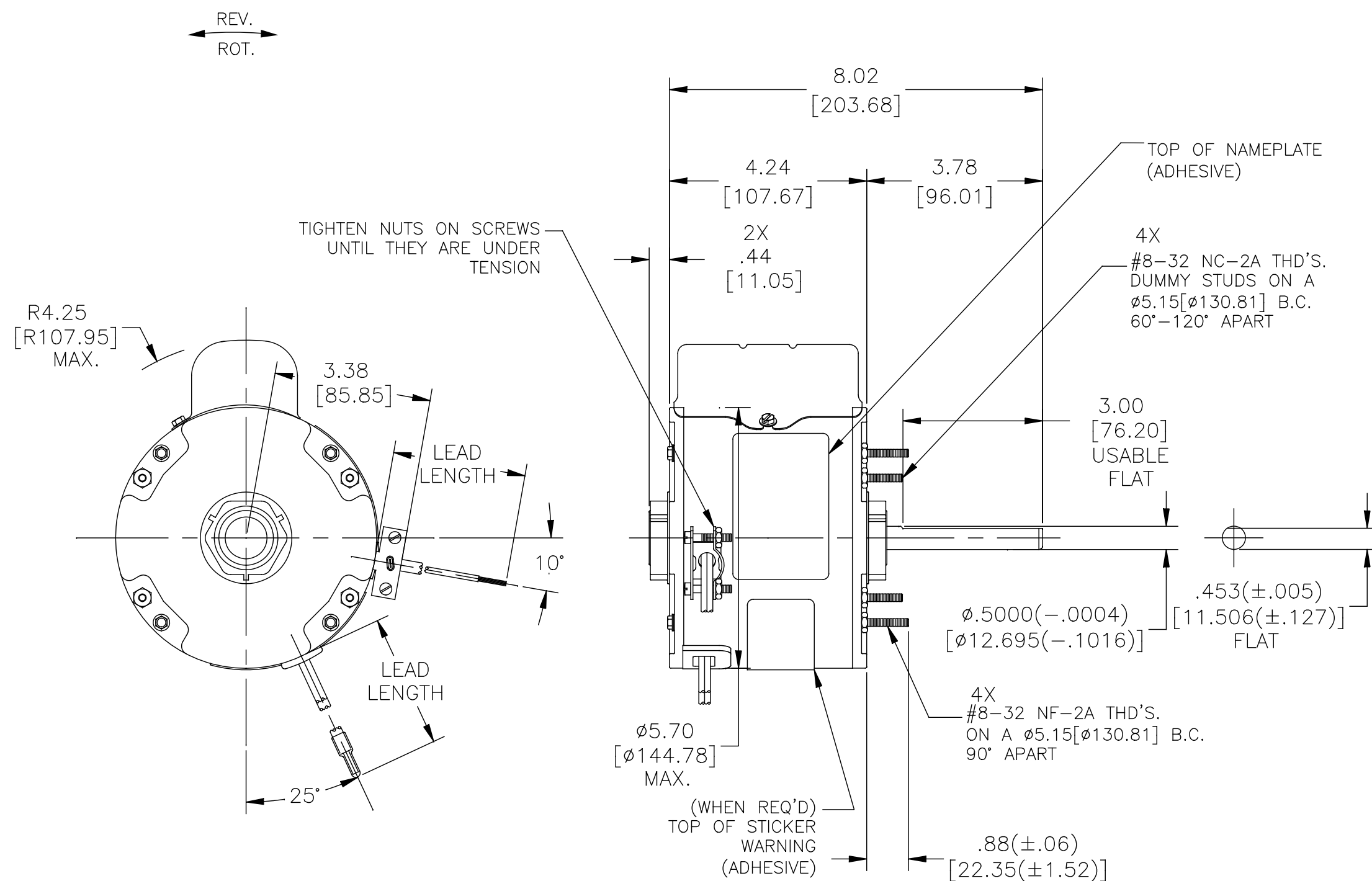
REGAL-BELOIT CORPORATION (RBC) PROVIDES TECHNICAL ASSISTANCE TO OUR CUSTOMERS IN SEVERAL AREAS. SINCE RBC DOES NOT RECEIVE ALL DATA CONCERNING THE USE AND APPLICATION OF THE MOTOR, THE SUITABILITY OF THE MOTOR FOR THE APPLICATION MUST BE DETERMINED BY THE CUSTOMER.

DIMENSIONS WITHOUT TOLERANCES ARE FOR REFERENCE ONLY.

MAIN FRAME - OLE	ENCLOSED
END FRAME - OLE	ENCLOSED
MAIN FRAME - LE	ENCLOSED
END FRAME - LE	ENCLOSED

ENCLOSURE

CUSTOMER	DISTRIBUTION SERVICE
----------	----------------------



DRAWING REVISION	REVISION BY	DATE
A	J. CHAI	04-26-2016
ECO 0093241	APPROVED BY C. ZHANG	DATE 04-26-2016

ECO DESCRIPTION
SEE ECO

COPYRIGHT REGAL-BELOIT AMERICA, INC. ALL RIGHTS RESERVED. PROPRIETARY AND CONFIDENTIAL INFORMATION - THIS DOCUMENT IS THE PROPERTY OF REGAL-BELOIT AMERICA, INC. ("OWNER") AND CONTAINS OWNER'S PROPRIETARY INFORMATION. ANY PERSON, CORPORATION OR OTHER FIRM RECEIVING IT IS DEEMED, BY RECEIVING IT, TO AGREE THAT IT, AND/OR ANY PART OF IT, SHALL NOT BE DISCLOSED TO ANY PERSON, CORPORATION OR OTHER ENTITY, DUPLICATED, AND/OR USED, EXCEPT AS EXPRESSLY APPROVED IN WRITING IN ADVANCE BY OWNER. THIS DOCUMENT SHALL BE RETURNED TO OWNER UPON REQUEST. IT MAY BE SUBJECT TO CERTAIN RESTRICTIONS UNDER APPLICABLE EXPORT CONTROL LAWS AND REGULATIONS.

DRAWN BY: J. RUPERT
DATE: 06-29-2010
APPROVED BY: J. RUPERT
DATE: 06-29-2010
PROCESS/FINISH

REGAL ™ Regal Beloit America, Inc.
DESCRIPTION MODEL-RFHP-48FR OUTLINE
MATERIAL
THIRD ANGLE PROJECTION
SIZE DWG NO C UH1016NB
SHEET 1