

4

3

2

1

REV	ECO	REV BY	DATE	APPD	DATE
C	0025583	A. ARREOLA	05-03-2012	D. BALDERRAMA	05-03-2012

GENERAL INFORMATION:

SHAFT RUNOUT: .001[.03] T.I.R. PER INCH LENGTH OF EXTENSION

BEARINGS: BALL

MOUNTING POSITION: HORIZONTAL

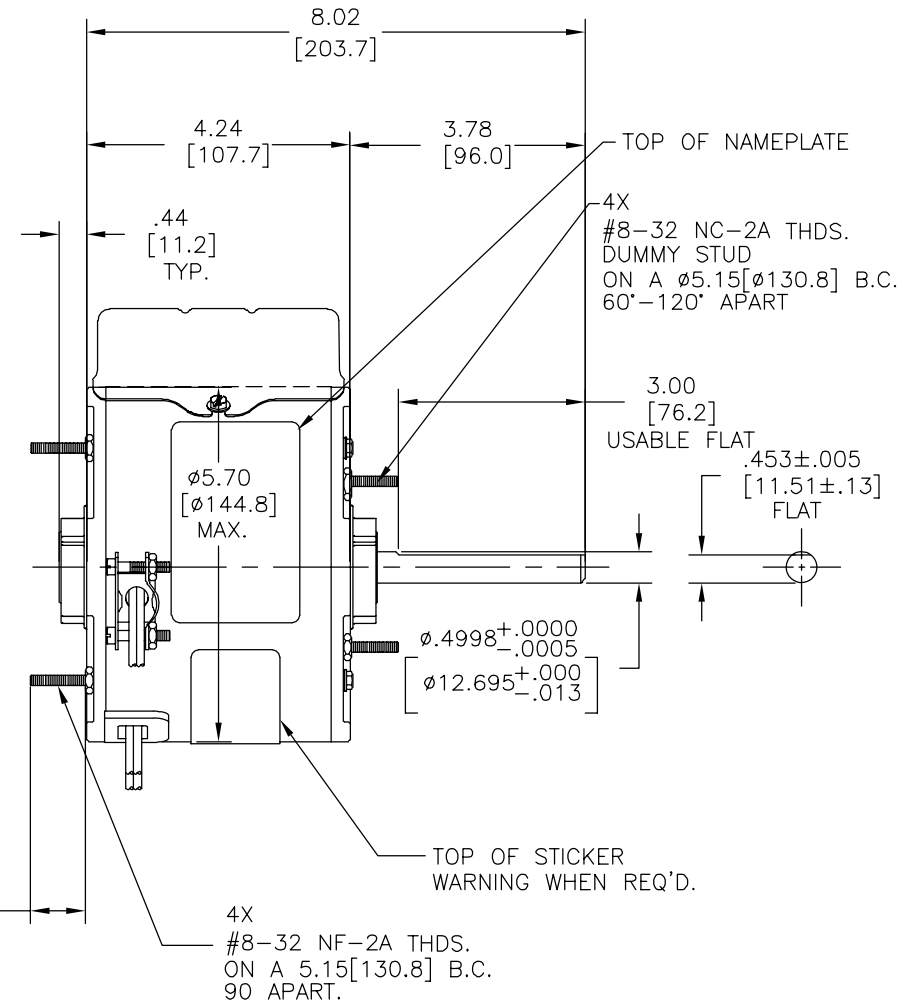
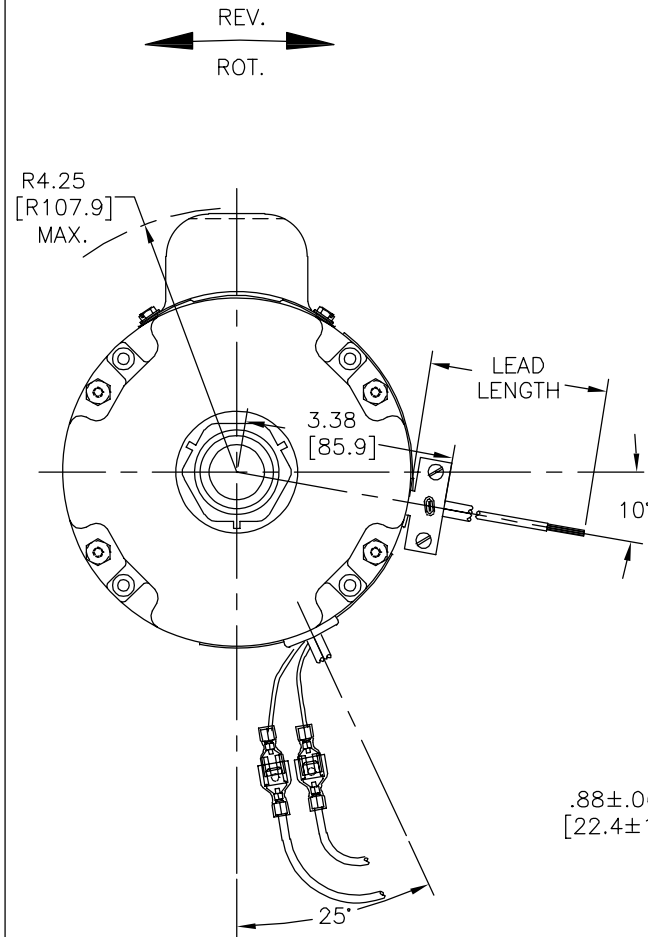
ELECTRICAL DATA:

OVERLOAD PROTECTOR: AUTOMATIC RESET T.I. 7AM 036

LEADS: NO. 18 GA., .03[.8] THK. CROSS-LINKED POLYETHELENE, 125°C INSUL.

- NOTE:
- 1.MOTOR SHIPPED CONNECTED FOR CCWLE ROTATION.
  - 2.DISTRIBUTION: CUST. P/N: UH1016NBV1 GRAINGER: CUST. P/N: 4LY94

SEE NOTE 2



NAMEPLATE DATA:	EXTERNAL CONNECTION DIAGRAM																
MODEL: F48U71A01 CUST. P/N: [ ] HP: 1/6 ROT.: REVERSIBLE RPM: 1075 TYPE: UF FRAME: 48Y VOLTS: 115 PH: 1 AMPS: 2.2 HZ: 60 INS.: B AMB: 60 °C DUTY: AIR OVER CAP.: 5 MFD/370V ENCL: ENCLOSED UL LOGO CSA LOGO THERMALLY PROTECTED	<table border="1"> <tr> <td>BROWN</td> <td>CAP.</td> </tr> <tr> <td>BROWN/W</td> <td></td> </tr> <tr> <td>YELLOW</td> <td></td> </tr> <tr> <td>BLACK</td> <td>LINE</td> </tr> <tr> <td>BLUE</td> <td></td> </tr> <tr> <td>PURPLE</td> <td></td> </tr> <tr> <td>RED</td> <td></td> </tr> <tr> <td>ORANGE</td> <td></td> </tr> </table> <p>SHOWN FOR CCWLE ROT.FOR CWLE ROT. INTERCHANGE PURPLE AND ORANGE LEADS.</p> <p>614131-124</p>	BROWN	CAP.	BROWN/W		YELLOW		BLACK	LINE	BLUE		PURPLE		RED		ORANGE	
BROWN	CAP.																
BROWN/W																	
YELLOW																	
BLACK	LINE																
BLUE																	
PURPLE																	
RED																	
ORANGE																	

BLUE	5.0/7.0 [127/178]	PRE-INSUL. SPADE TERM.
PURPLE	5.0/7.0 [127/178]	PRE-INSUL. TAB TERM.
RED	5.0/7.0 [127/178]	PRE-INSUL. SPADE TERM.
ORANGE	5.0/7.0 [127/178]	PRE-INSUL. TAB TERM.
BROWN/WHITE	CONNECTED TO CAPACITOR	.25[6.4] FLAG
BROWN	CONNECTED TO CAPACITOR	.25[6.4] FLAG
BLACK	58.0/62.0 [1473/1574]	.60[15.2] SKIN
YELLOW	58.0/62.0 [1473/1574]	.60[15.2] SKIN
COLOR	LENGTH	TERMINAL OR STRIP LENGTH

MAIN FR.-OLE	ENCLOSED
END FR.-OLE	ENCLOSED
MAIN FR.-LE	ENCLOSED
END FR.-LE	ENCLOSED

CUST.	DISTRIBUTION SERVICE
-------	----------------------

PERFORMANCE CURVE NO.	TORQUE @1075 RPM (25°C)	APPROVED SAMPLE	UL COMPONENT	CSA
C31497	15.9 OZ. FT.	97AC294A	E46412 PRGY2	LR43341 260-φ-0

GEOMETRIC CHARACTERISTICS & SYMBOLS

- FLATNESS
- STRAIGHTNESS
- ∠ ANGULARITY
- ⊥ PERPENDICULARITY (SQUARENESS)
- // PARALLELISM
- ROUNDNESS (CIRCULARITY)
- ∅ CYLINDRICITY
- △ PROFILE OF ANY SURFACE
- ∩ PROFILE OF ANY LINE
- ↑ RUNOUT
- ⊕ TRUE POSITION
- ◎ CONCENTRICITY
- = SYMMETRY

ASME Y14.5M 1994

REGAL-BELOIT CORPORATION (RBC) PROVIDES TECHNICAL ASSISTANCE TO OUR CUSTOMERS IN SEVERAL AREAS. SINCE RBC DOES NOT RECEIVE ALL DATA CONCERNING THE USE AND APPLICATION OF THE MOTOR, THE SUITABILITY OF THE MOTOR FOR THE APPLICATION MUST BE DETERMINED BY THE CUSTOMER.

DIMENSIONS WITHOUT TOLERANCES ARE FOR REFERENCE ONLY.

DR BY: J. BLANKENSHIP 05-25-2004

APPD:

THIRD ANGLE PROJECTION

EDS DATE 11-11-2011  
FORMAT REV G

CONFIDENTIAL: THIS DRAWING AND ITS INFORMATION ARE THE EXCLUSIVE AND CONFIDENTIAL PROPERTY OF REGAL-BELOIT CORPORATION AND ARE NOT TO BE DISCLOSED, DUPLICATED, DISTRIBUTED OR OTHERWISE USED WITHOUT THE WRITTEN CONSENT OF REGAL-BELOIT CORPORATION. -ALL RIGHTS RESERVED.

**REGAL-BELOIT CORPORATION**

DESCRIPTION: MODEL-RFHP-48FR OUTLINE

SIZE: C DWG NO: 11922-008

SCALE: NONE SHEET: 1

4

3

2

1

4

3

2

1

REVISION:	ECO	REVISADO POR:	FECHA:	APROBADO POR:	FECHA:
C	0025583	A. ARREOLA	05-03-2012	D. BALDERRAMA	05-03-2012

INFORMACION GENERAL:

OSCILACION DE FLECHA: .001 [.03] L.T.I. LONGITUD DE EXTENSION POR PULGADA

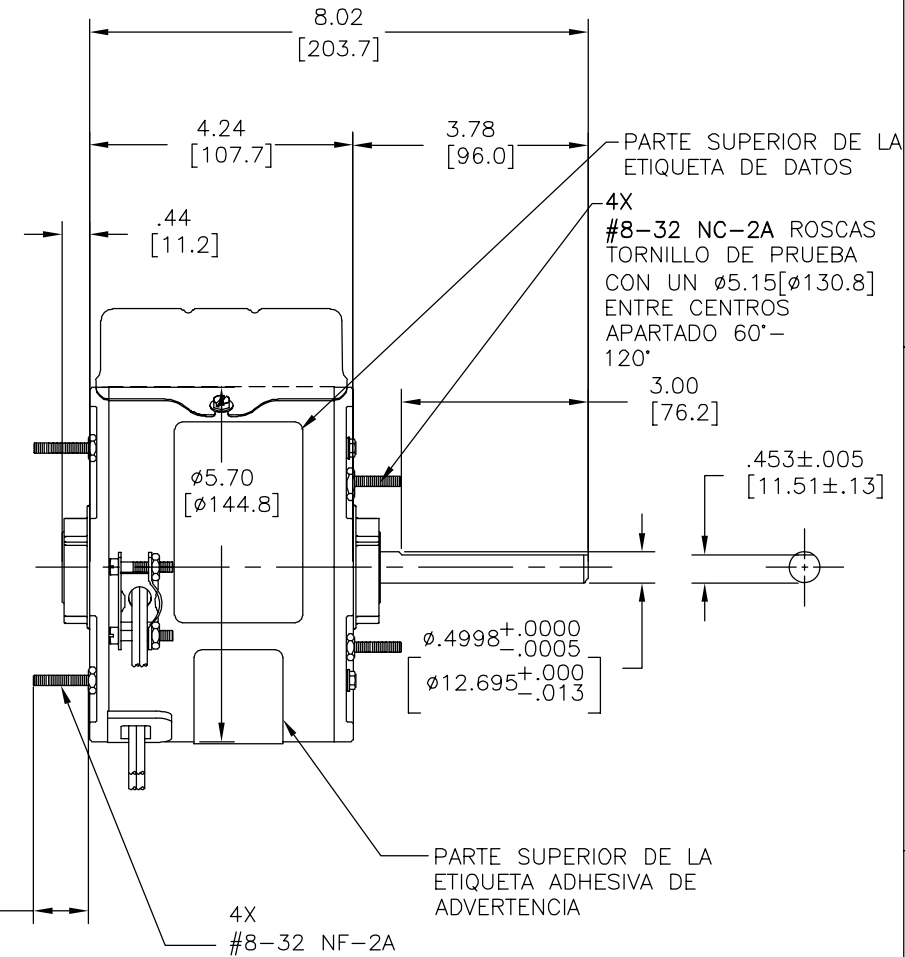
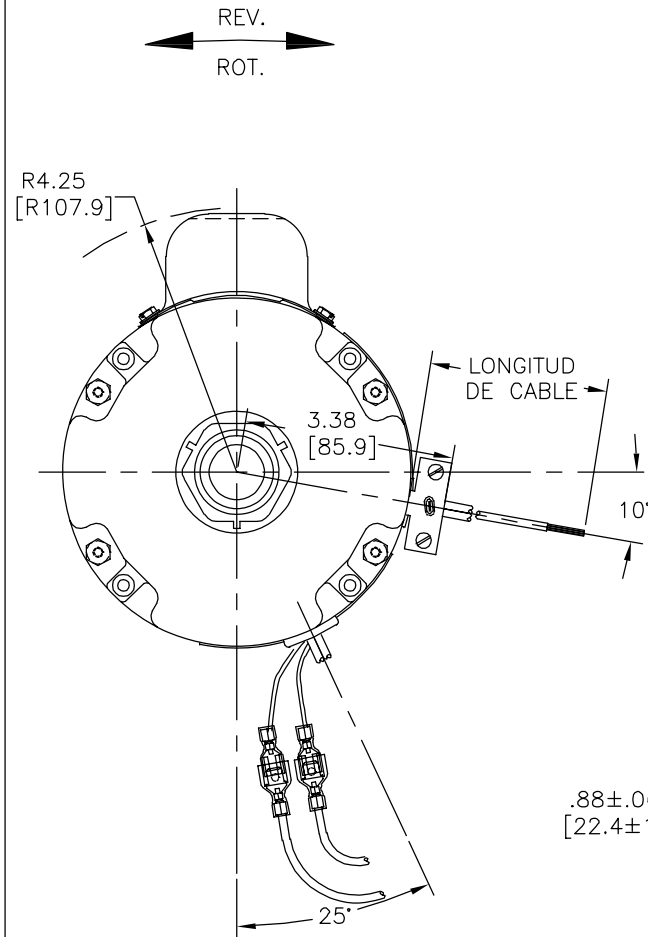
BALEROS: BOLA

POSICION DE MONTAJE: HORIZONTAL

DATOS ELECTRICOS:

SOBRECARGA DEL PROTECTOR: REINICIO AUTOMATICO T.I. 7AM 036

CABLES: NO. 18 GA., .03[.8] DE ESPESOR, CABLE DE POLIETILENO ENTRE CRUZADO EN CRUZ, 125°C AISLANTE



SEE NOTE 2

DATOS DE PLACA DE DATOS:	DIAGRAMA DE CONEXION EXTERNA																
MODEL: F48U71A01 CUST. P/N: [ ] HP: 1/6 ROT.: REVERSIBLE RPM: 1075 TYPE: UF FRAME: 48Y VOLTS: 115 PH: 1 AMPS: 2.2 HZ: 60 INS.: B AMB: 60 °C DUTY: AIR OVER CAP.: 5 MFD/370V ENCL: ENCLOSED UL LOGO CSA LOGO THERMALLY PROTECTED	<table border="1"> <tr> <td>BROWN</td> <td>CAP.</td> </tr> <tr> <td>BROWN/W</td> <td></td> </tr> <tr> <td>YELLOW</td> <td>LINE</td> </tr> <tr> <td>BLACK</td> <td></td> </tr> <tr> <td>BLUE</td> <td></td> </tr> <tr> <td>PURPLE</td> <td></td> </tr> <tr> <td>RED</td> <td></td> </tr> <tr> <td>ORANGE</td> <td></td> </tr> </table> <p>SHOWN FOR CWLW ROT.FOR CWLE ROT. INTERCHANGE PURPLE AND ORANGE LEADS.</p> <p>614131-124</p>	BROWN	CAP.	BROWN/W		YELLOW	LINE	BLACK		BLUE		PURPLE		RED		ORANGE	
BROWN	CAP.																
BROWN/W																	
YELLOW	LINE																
BLACK																	
BLUE																	
PURPLE																	
RED																	
ORANGE																	

	5.0/7.0 [127/178]	
AZUL	5.0/7.0 [127/178]	
MORADO	5.0/7.0 [127/178]	
ROJO	5.0/7.0 [127/178]	
NARANJA	5.0/7.0 [127/178]	
CAFE/BLANCO		.25[6.4] FLAG
CAFE		.25[6.4] FLAG
NEGRO	58.0/62.0 [1473/1574]	.60[15.2] SKIN
AMARILLO	58.0/62.0 [1473/1574]	.60[15.2] SKIN
COLOR	LONGITUD	TERMINACION DE SUPERFICIE

CURVAS DE FUNCIONAMIENTO	TORSION @1075 RPM (25°C)	MUESTRA APROVADA	COMPONENTE UL
C31497	15.9-0.2 FT LBS	97AC294A	E46412 PRGY2 LR43341 260-0-0

INFORMACION DE CABLES

<p>CARACTERISTICAS DE GEOMETRIA Y SIMBOLOS</p> <ul style="list-style-type: none"> <li>□ PLANICIDAD</li> <li>— RECTITUD</li> <li>∠ ANGULARIDAD</li> <li>⊥ PERPENDICULARIDAD (A ESCUADRA)</li> <li>// PARALELISMO</li> <li>○ REDONDEZ (CIRCULARIDAD)</li> <li>∅ CILINDRICIDAD</li> <li>△ PERFIL DE CUALQUIER SUPERFICIE</li> <li>∩ PERFIL DE CUALQUIER LINEA</li> <li>∧ VARIACION</li> <li>⊕ POSICION REAL</li> <li>◎ CONCENTRICIDAD</li> <li>= SIMETRIA</li> </ul> <p>ASME Y14.5M 1994</p>	<p>REGAL-BELOIT CORPORATION (RBC) PROVEE ASISTENCIA TECNICA A NUESTROS CLIENTES EN VARIAS AREAS. DESDE QUE RBC NO RECIBE TODOS LOS DATOS EN RELACION AL USO Y A LA APLICACION DEL MOTOR, LA APLICACION ADECUADA DEL MOTOR DEBE SER DETERMINADA POR EL CLIENTE.</p> <p>DIMENSIONES SIN TOLERANCIA SON DE REFERENCIA SOLAMENTE</p>
---	--

DIBUJADO POR:	J. BLANKENSHIP	05-25-2004
APROBADO POR:		
TERCER ANGULO DE PROYECCION		FECHA EDS: 11-11-2011 REV. FORMATO: G
<p>CONFIDENCIAL: ESTE DIBUJO Y SU INFORMACION SON PROPIEDAD DE USO EXCLUSIVO Y CONFIDENCIAL DE REGAL-BELOIT CORPORATION. Y NO DEBERAN SER REVELADOS, DUPLICADOS, DISTRIBUIDOS O USARSE DE OTRA MANERA SIN EL CONSENTIMIENTO ESCRITO DE REGAL-BELOIT CORPORATION. -TODOS LOS DERECHOS RESERVADOS.</p>		

DESCRIPCION: MODEL-RFHP-48FR OUTLINE	
TAMAÑO: C	NUMERO DE DIBUJO: 11922-008
ESCALA: NONE	HOJA: 1

4

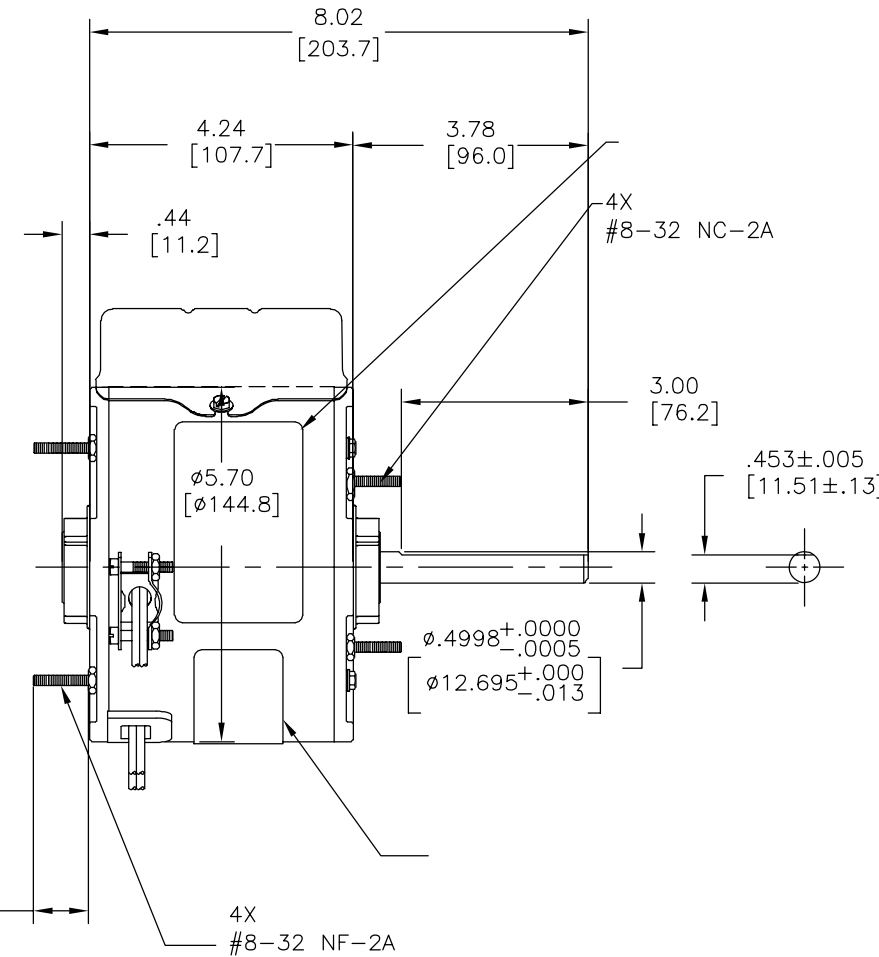
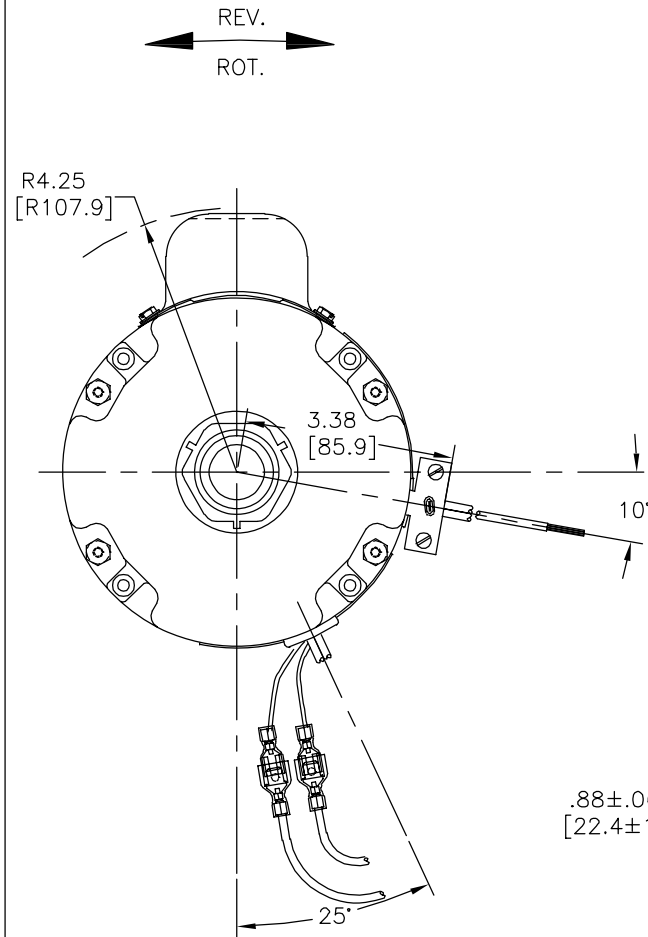
3

2

1

DISTRIBUTION SERVICE

版本	ECO	编制	日期	批准	日期
C	0025583	A. ARREOLA	05-03-2012	D. BALDERRAMA	05-03-2012



SEE NOTE 2

MODEL: F48U71A01  
 CUST. P/N:   
 HP: 1/6  
 ROT.: REVERSIBLE  
 RPM: 1075  
 TYPE: UF  
 FRAME: 48Y  
 VOLTS: 115  
 PH: 1  
 AMPS: 2.2  
 HZ: 60  
 INS.: B  
 AMB: 60 °C  
 DUTY: AIR OVER  
 CAP.: 5 MFD/370V  
 ENCL: ENCLOSED  
 UL LOGO  
 CSA LOGO  
 THERMALLY PROTECTED

BROWN	CAP.
BROWN/W	
YELLOW	LINE
BLACK	
BLUE	
PURPLE	
RED	
ORANGE	

SHOWN FOR CCWLE  
 ROT.FOR CWLE ROT.  
 INTERCHANGE PURPLE  
 AND ORANGE LEADS.

614131-124

	5.0/7.0 [127/178]	
	5.0/7.0 [127/178]	
	5.0/7.0 [127/178]	
	5.0/7.0 [127/178]	
		.25[6.4] FLAG
		.25[6.4] FLAG
	58.0/62.0 [1473/1574]	.60[15.2] SKIN
	58.0/62.0 [1473/1574]	.60[15.2] SKIN
COLOR		TERMINAL OR STRIP LENGTH


	DISTRIBUTION SERVICE
--	----------------------

C31497	15.9 OZ. FT.	97AC294A	E46412	PRGY2	LR43341	260-0-0
--------	--------------	----------	--------	-------	---------	---------

形位公差  
 □ 平面度  
 — 直线度  
 < 倾斜度  
 ⊥ 垂直度  
 // 平行度  
 ○ 圆度  
 ⊙ 圆柱度  
 △ 面轮廓度  
 ⊃ 线轮廓度  
 ↗ 圆跳动  
 ⊕ 位置度  
 ⊗ 同轴度  
 ≡ 对称度

ASME Y14.5M 1994

REGAL-BELOIT CORPORATION (RBC) 在个别领域为客户提供技术支持。鉴于RBC未收到任何涉及电机使用和应用环境的数据，电机的适用性由客户自己决定。

未注公差尺寸仅供参考。

绘图: J. BLANKENSHIP 05-25-2004  
 批准:  
 第三角投影  
 机密: 本图纸及相关信息所有权归REGAL-BELOIT CORPORATION。未经REGAL-BELOIT CORPORATION书面授权, 不得泄露、复制或传播作其他用途。—版权所有

名称: MODEL-RFHP-48FR OUTLINE  
 图幅: C 图号: 11922-008  
 比例: NONE 页号: 1