

4

3

2

1

REV	ECO	REV BY	DATE	APPD	DATE
E	0025582	I. ORTIZ	05-01-2012	D. BALDERRAMA	05-01-2012

GENERAL INFORMATION:

SHAFT RUNOUT: .001[.03] T.I.R. PER INCH LENGTH OF EXTENSION

END PLAY: .010[.25] TO .063[1.60]

BEARINGS: SLEEVE

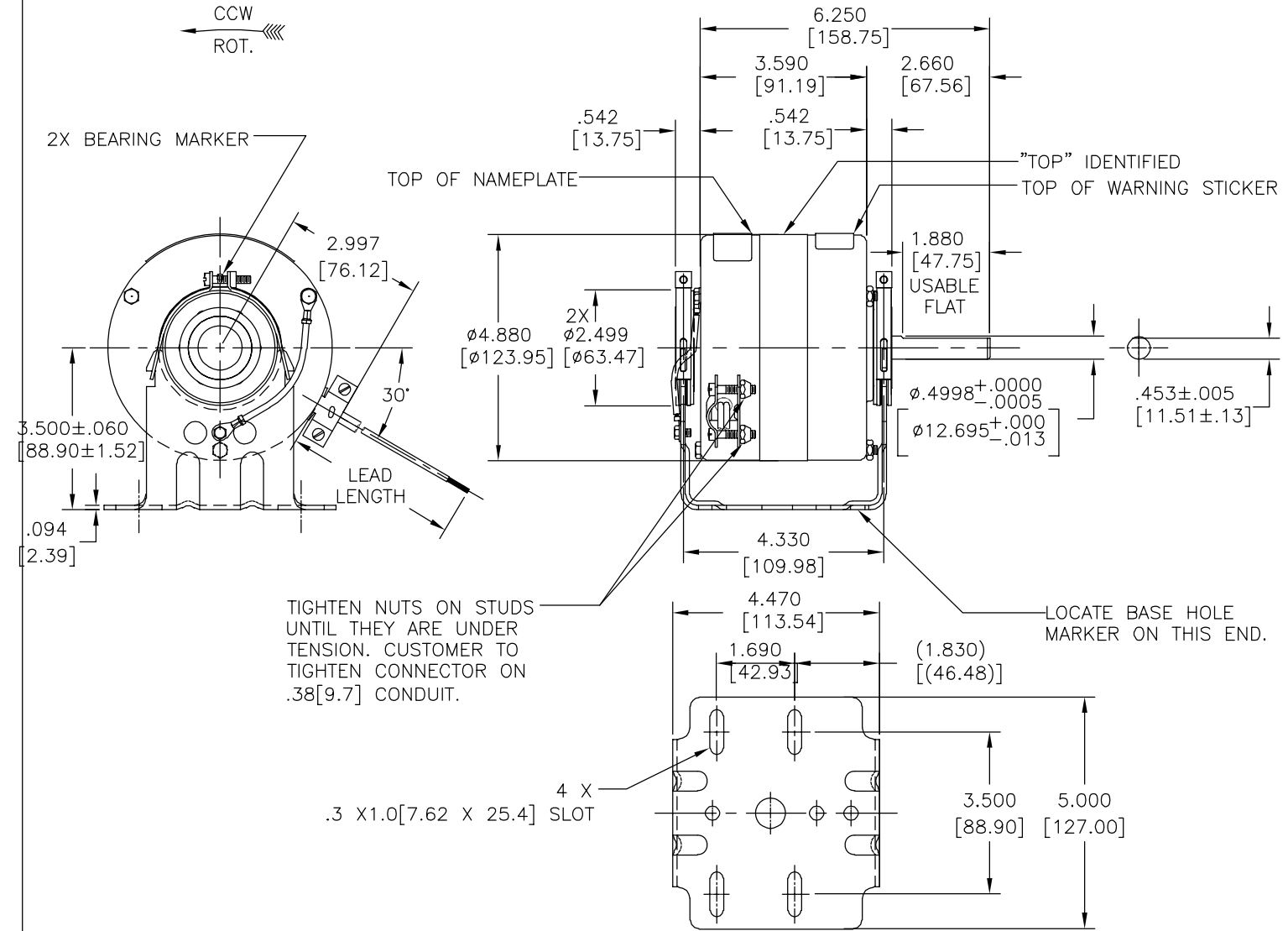
MOUNTING POSITION: HORIZONTAL

ELECTRICAL DATA:

OVERLOAD PROTECTOR: AUTOMATIC RESET (T.I. 7AM 304)

LEADS: NO. 18 GA., .03[.8] THK., 125°C INSUL.

GROUND LEAD: NO. 18 GA., .03 [.8] THK., GREEN INSUL.



TIGHTEN NUTS ON STUDS UNTIL THEY ARE UNDER TENSION. CUSTOMER TO TIGHTEN CONNECTOR ON .38[9.7] CONDUIT.

NOTES:
1. DISTRIBUTION PART NUMBER: U6432
GRAINGER PART NUMBER: 4UU95

SEE NOTE 1

NAMEPLATE DATA:	EXTERNAL CONNECTION DIAGRAM
MODEL NO.: B42B08A01 CUST. P/N: [] HP: 1/15 ROT.: CCWLE RPM: 1050 TYPE: FE FRAME: 42Y VOLTS: 115 PH: 1 AMPS: 3.3 HZ: 60 INS.: B AMB.: 40°C DUTY: AIR OVER CAP.: - UL LOGO CSA LOGO THERMALLY PROTECTED TYPE C	BLK ———— LINE WHT ————

GREEN (GROUND)	CONNECTED BASE	#8 EYELET
BLACK	35/38 [889/965]	.50[12.7] STRIP
WHITE	35/38 [889/965]	.50[12.7] STRIP
COLOR	LENGTH	TERMINAL OR STRIP LENGTH

MAIN FR. - OLE	ENCLOSED
END FR. - OLE	ENCLOSED
MAIN FR. - LE	ENCLOSED
END FR. - LE	ENCLOSED

CUSTOMER	DISTRIBUTION SERVICE
----------	----------------------

PERFORMANCE CURVE NO.	TORQUE @ 1050 RPM (25°C)	APPROVED SAMPLE	UL COMPONENT	CSA
C31135	8.3 OZ. FT.	94AC108C	E46412 PRGY2	LR43341 4211-01

GEOMETRIC CHARACTERISTICS & SYMBOLS

- FLATNESS
- STRAIGHTNESS
- ∠ ANGULARITY
- ⊥ PERPENDICULARITY (SQUARENESS)
- ∥ PARALLELISM
- ROUNDNESS (CIRCULARITY)
- ⊘ CYLINDRICITY
- △ PROFILE OF ANY SURFACE
- ∩ PROFILE OF ANY LINE
- ↗ RUNOUT
- ⊕ TRUE POSITION
- ◎ CONCENTRICITY
- ≡ SYMMETRY

ASME Y14.5M 1994

REGAL-BELOIT CORPORATION (RBC) PROVIDES TECHNICAL ASSISTANCE TO OUR CUSTOMERS IN SEVERAL AREAS. SINCE RBC DOES NOT RECEIVE ALL DATA CONCERNING THE USE AND APPLICATION OF THE MOTOR, THE SUITABILITY OF THE MOTOR FOR THE APPLICATION MUST BE DETERMINED BY THE CUSTOMER.

DIMENSIONS WITHOUT TOLERANCES ARE FOR REFERENCE ONLY.

DR BY: J RUPERT 12-13-2004

APPD: J RUPERT 12-14-2004

THIRD ANGLE PROJECTION

EDS DATE 11-11-2011
FORMAT REV G

CONFIDENTIAL: THIS DRAWING AND ITS INFORMATION ARE THE EXCLUSIVE AND CONFIDENTIAL PROPERTY OF REGAL-BELOIT CORPORATION AND ARE NOT TO BE DISCLOSED, DUPLICATED, DISTRIBUTED OR OTHERWISE USED WITHOUT THE WRITTEN CONSENT OF REGAL-BELOIT CORPORATION. -ALL RIGHTS RESERVED.

REGAL-BELOIT CORPORATION

DESCRIPTION: MODEL-RFHP-48FR OUTLINE

SIZE C DWG NO 11934-002

SCALE NONE SHEET 1

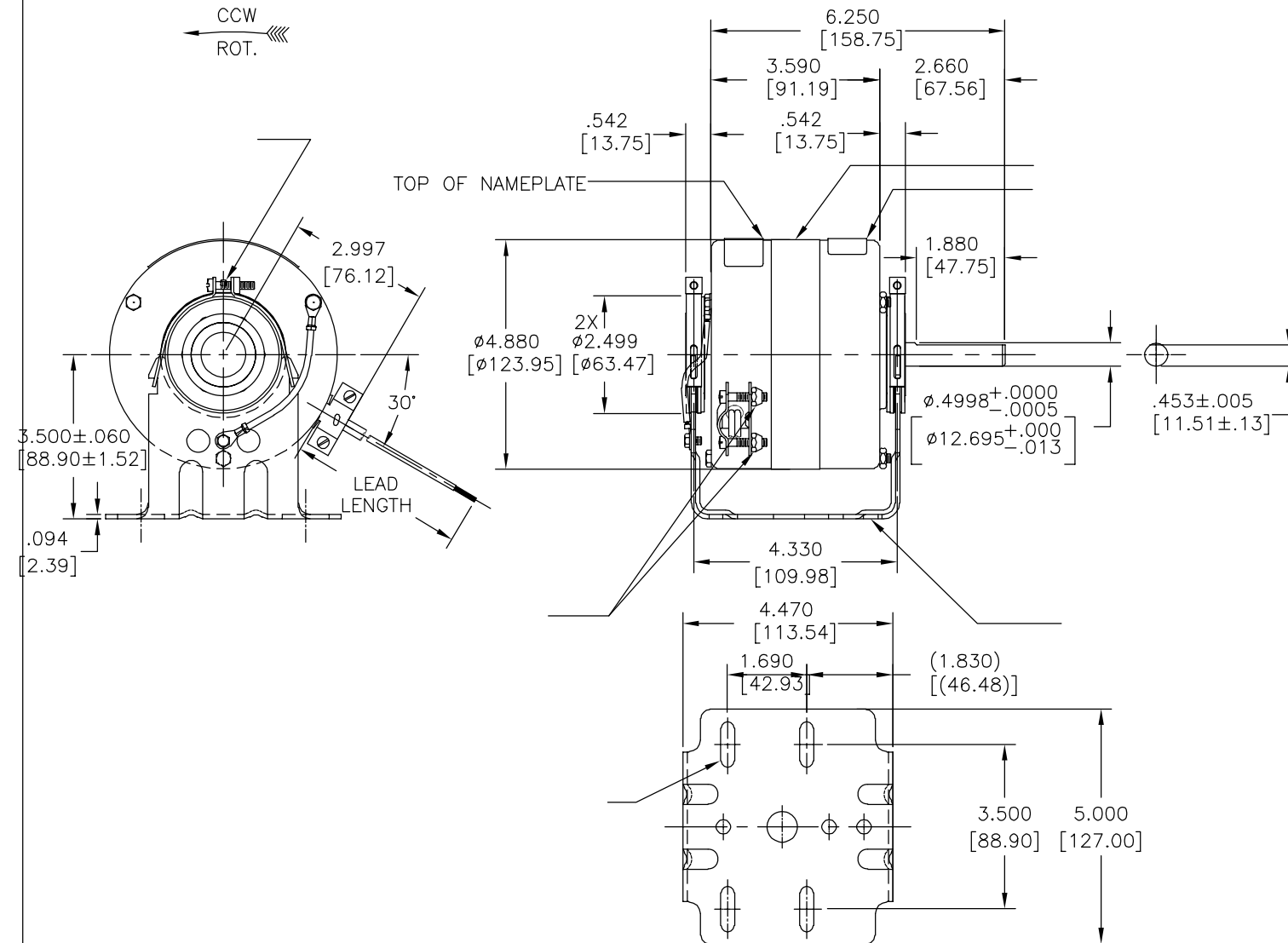
4

3

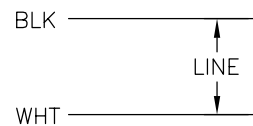
2

1

REVISION:	ECO	REVISADO POR:	FECHA:	APROBADO POR:	FECHA:
E	0025582	I. ORTIZ	05-01-2012	D. BALDERRAMA	05-01-2012



MODEL NO.: B42B08A01
 CUST. P/N: []
 HP: 1/15
 ROT.: CCWLE
 RPM: 1050
 TYPE: FE
 FRAME: 42Y
 VOLTS: 115
 PH: 1
 AMPS: 3.3
 HZ: 60
 INS.: B
 AMB.: 40°C
 DUTY: AIR OVER
 CAP.: -
 UL LOGO
 CSA LOGO
 THERMALLY PROTECTED
 TYPE C



		#8 EYELET
	35/38 [889/965]	.50[12.7] STRIP
	35/38 [889/965]	.50[12.7] STRIP

					CSA
C31135	8.3 OZ. FT.	94AC108C	E46412	PRGY2	LR43341 4211-01

CARACTERISTICAS DE GEOMETRIA Y SIMBOLOS
 □ PLANICIDAD
 - RECTITUD
 < ANGULARIDAD
 ⊥ PERPENDICULARIDAD (A ESCUADRA)
 // PARALELISMO
 ○ REDONDEZ (CIRCULARIDAD)
 ∅ CILINDRICIDAD
 △ PERFIL DE CUALQUIER SUPERFICIE
 ▲ PERFIL DE CUALQUIER LINEA
 ↗ VARIACION
 ⊕ POSICION REAL
 ⊙ CONCENTRICIDAD
 = SIMETRIA
 ASME Y14.5M 1994

REGAL-BELOIT CORPORATION (RBC)
 PROVEE ASISTENCIA TECNICA A
 NUESTROS CLIENTES EN VARIAS AREAS.
 DESDE QUE RBC NO RECIBE TODOS
 LOS DATOS EN RELACION AL USO Y A
 LA APLICACION DEL MOTOR, LA
 APLICACION ADECUADA DEL MOTOR
 DEBE SER DETERMINADA POR EL
 CLIENTE.

DIMENSIONES SIN TOLERANCIA SON
 DE REFERENCIA SOLAMENTE

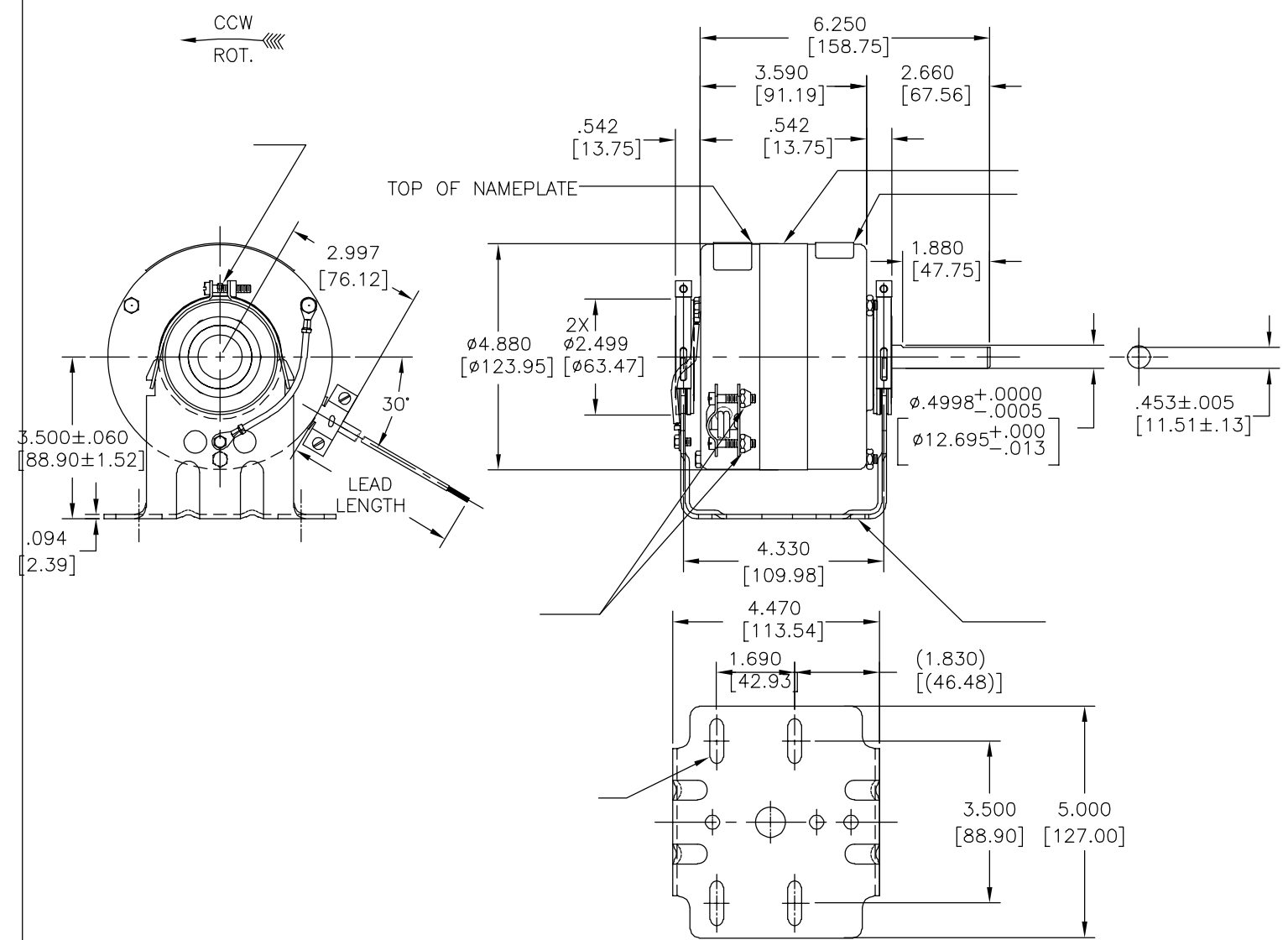
DIBUJADO POR:
 J RUPERT
 12-13-2004
 APROBADO POR:
 J RUPERT
 12-14-2004
 TERCER ANGULO
 DE PROYECCION
 FECHA EDS: 11-11-2011
 REV. FORMATO: G
 CONFIDENCIAL: ESTE DIBUJO Y SU INFORMACION
 SON PROPIEDAD DE USO EXCLUSIVO Y CONFIDENCIAL DE
 REGAL-BELOIT CORPORATION. Y NO DEBERAN SER REVELADOS,
 DUPLICADOS, DISTRIBUIDOS O USARSE DE OTRA MANERA
 SIN EL CONSENTIMIENTO ESCRITO DE REGAL-BELOIT
 CORPORATION. -TODOS LOS DERECHOS RESERVADOS.



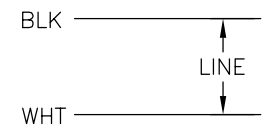
DESCRIPCION:
 MODEL-RFHP-48FR
 OUTLINE
 TAMAÑO: C NUMERO DE DIBUJO:
 11934-002
 ESCALA: NONE HOJA: 1

4 3 2 1

版本	ECO	编制	日期	批准	日期
E	0025582	I. ORTIZ	05-01-2012	D. BALDERRAMA	05-01-2012



MODEL NO.: B42B08A01
 CUST. P/N: []
 HP: 1/15
 ROT.: CCWLE
 RPM: 1050
 TYPE: FE
 FRAME: 42Y
 VOLTS: 115
 PH: 1
 AMPS: 3.3
 HZ: 60
 INS.: B
 AMB.: 40°C
 DUTY: AIR OVER
 CAP.: -
 UL LOGO
 CSA LOGO
 THERMALLY PROTECTED
 TYPE C



		#8 EYELET
	35/38 [889/965]	.50[12.7] STRIP
	35/38 [889/965]	.50[12.7] STRIP

						CSA
C31135	8.3 OZ. FT.	94AC108C	E46412	PRGY2	LR43341	4211-01

- 形位公差
- 平面度
- 直线度
- ∠ 倾斜度
- ⊥ 垂直度
- ∥ 平行度
- 圆度
- ⊘ 圆柱度
- ⊖ 面轮廓度
- ⌒ 线轮廓度
- ↗ 圆跳动
- ⊕ 位置度
- ⊙ 同轴度
- ≡ 对称度

ASME Y14.5M 1994

REGAL-BELOIT CORPORATION (RBC) 在个别领域为客户提供技术支持。鉴于RBC未收到任何涉及电机使用和应用环境的数据，电机的适用性由客户自己决定。

未注公差尺寸仅供参考。

绘图:	J RUPERT	12-13-2004
批准:	J RUPERT	12-14-2004
第三角投影		图纸格式发布日期 11-11-2011 图纸格式版本 G
机密: 本图纸及相关信息所有权归REGAL-BELOIT CORPORATION。未经REGAL-BELOIT CORPORATION书面授权, 不得泄露、复制或传播作其他用途。—版权所有		



名称	MODEL-RFHP-48FR OUTLINE	
图幅	C	图号 11934-002
比例	NONE	页号 1

4 3 2 1