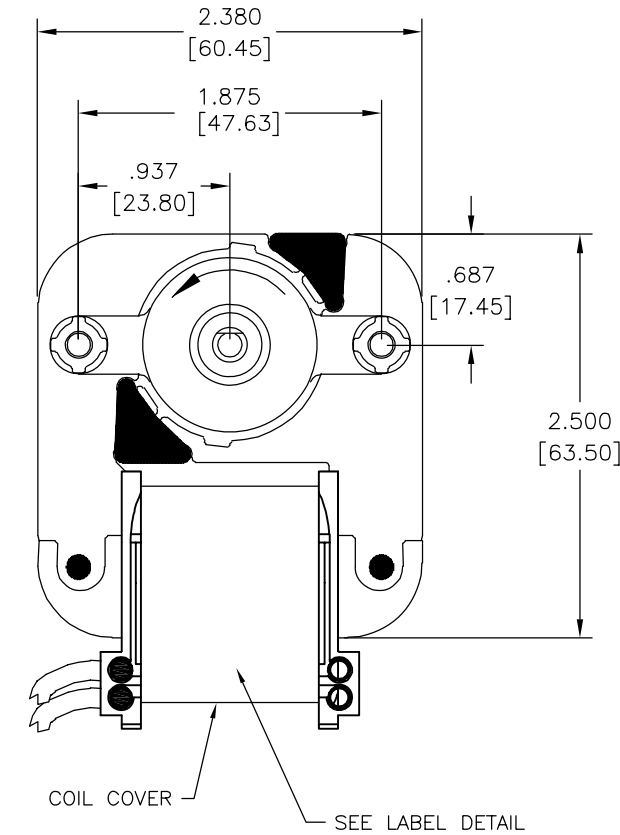
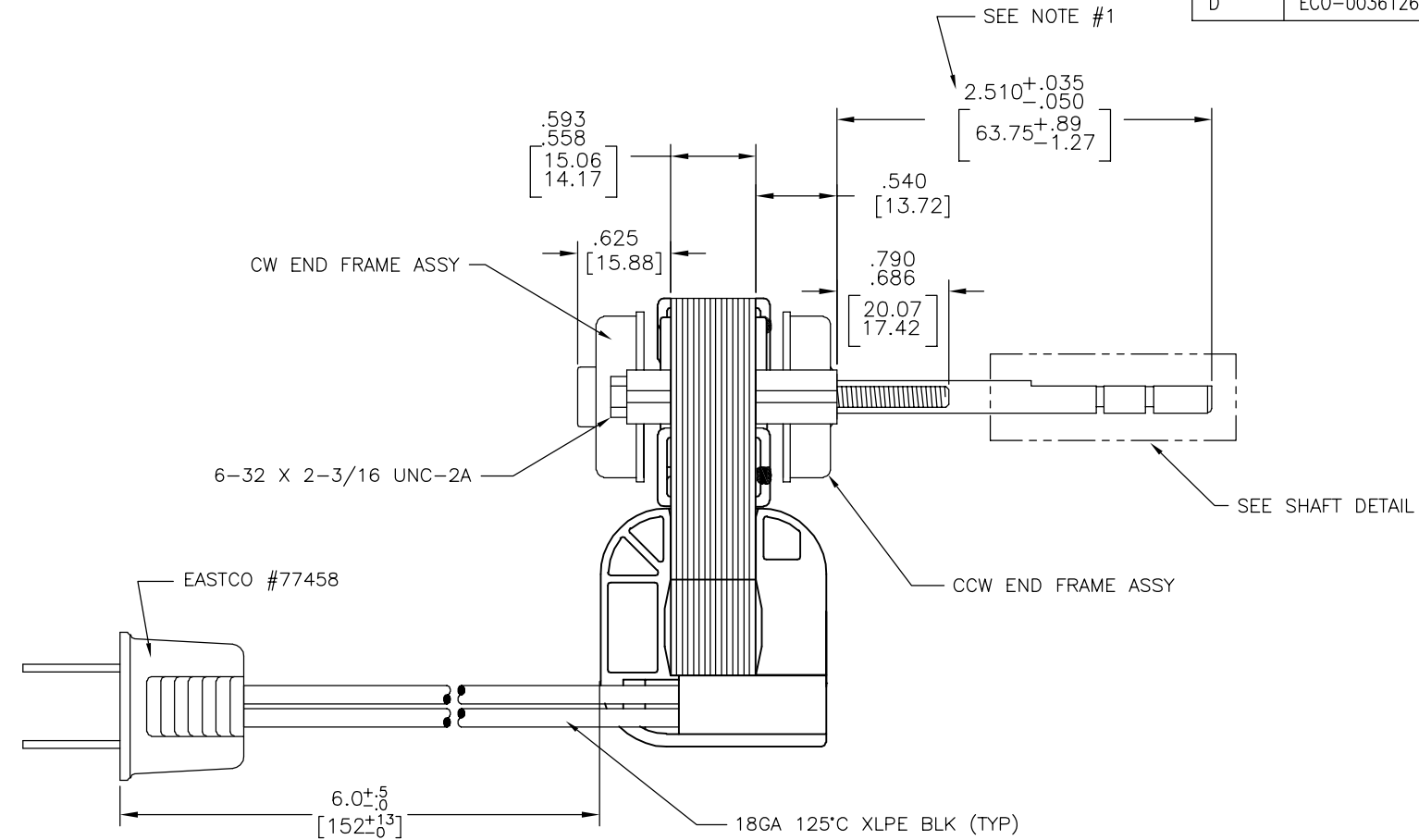
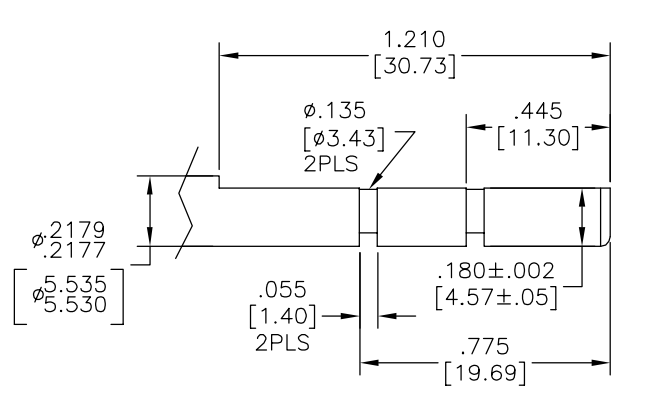


REV	ECO	REV BY	DATE	APPD	DATE
D	ECO-0036126	N.HONG	07-31-2013	B.SHEN	07-31-2013

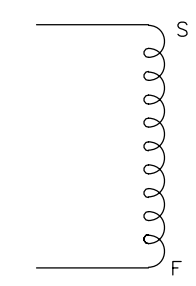


SHAFT DETAIL 2 X SIZE



- NOTES:
1. MEASURED WITH ENDPLAY REMOVED
 2. SEE 570106 FOR PLACEMENT OF LABEL
2516815-014

SCHEMATIC DIAGRAM



LABEL DETAIL

Century
MDL 57B2
120V 60HZ .51A
ZP CL"B"
12675
3000 RPM
25°C AMB
Ⓢ AO
MADE IN MEXICO
UL507 COIL COVER

ROTATION	CCWSE
ENDPLAY	.060[1.52] MAX

GEOMETRIC CHARACTERISTICS & SYMBOLS

- FLATNESS
- STRAIGHTNESS
- ∠ ANGULARITY
- ⊥ PERPENDICULARITY (SQUARENESS)
- // PARALLELISM
- ROUNDNESS (CIRCULARITY)
- ⊘ CYLINDRICITY
- △ PROFILE OF ANY SURFACE
- ∩ PROFILE OF ANY LINE
- ↗ RUNOUT
- ⊕ TRUE POSITION
- ⊙ CONCENTRICITY
- ≡ SYMMETRY

ASME Y14.5M 1994

UNLESS OTHERWISE SPECIFIED
DIM. TOLERANCES ARE AS FOLLOWS:

INCH	±.1	±.02	±.005	±.0005
mm	±0.5	±0.13	±0.013	

ANG. ±.50 DEG
REMOVE BURRS & BREAK SHARP EDGES:
INCH .003-.015 mm 0.1-0.4
CORNER FILLETS TO:
INCH .020 mm 0.5
MACHINE SURFACES:
INCH 125 mm 3.2

METRIC DIMS. SHOWN IN [BRACKETS]

DR BY: CHERRY Z 07-14-2010

APPD: KG 07-14-2010

THIRD ANGLE PROJECTION

EDS DATE 11-11-2011
FORMAT REV H

CONFIDENTIAL: THIS DRAWING AND ITS INFORMATION ARE THE EXCLUSIVE AND CONFIDENTIAL PROPERTY OF REGAL-BELOIT CORPORATION AND ARE NOT TO BE DISCLOSED, DUPLICATED, DISTRIBUTED OR OTHERWISE USED WITHOUT THE WRITTEN CONSENT OF REGAL-BELOIT CORPORATION. -ALL RIGHTS RESERVED.

REGAL REGAL-BELOIT CORPORATION	
DESCRIPTION MODEL-SFHP-C-FR OUTLINE	
SIZE C	DWG NO SS-613
SCALE NONE	SHEET 1