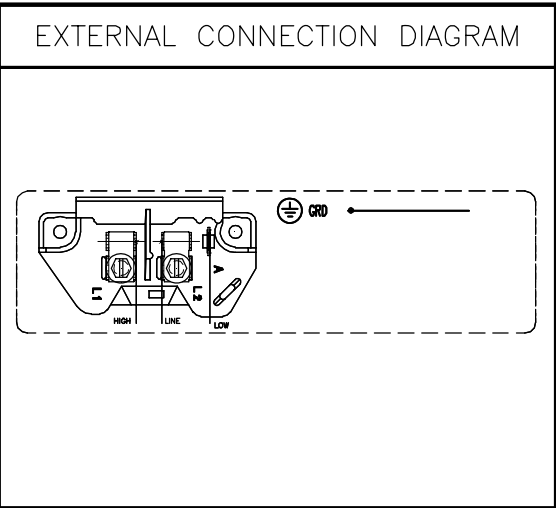


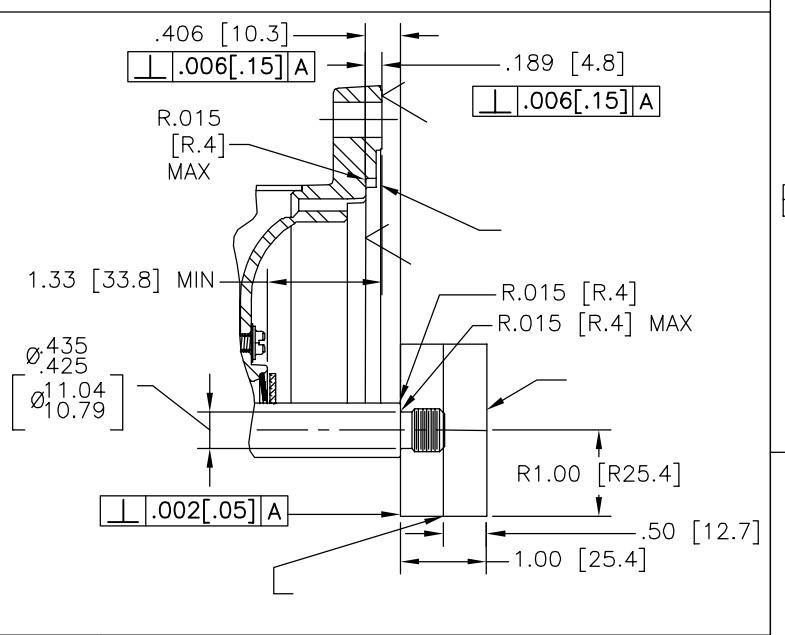
NON SVRS 标贴顶部
在电机的背面
SERIAL 标贴顶部
在电机的背面

版本	ECO	编制	日期	批准	日期
E	0030014	B.ZHAO	01-06-2013	B.SHEN	01-06-2013

NAMEPLATE DATA	
MODEL: K48K2PA102B2	
CUST PN: SQL1072R	
HP: 0.75/0.125 SF: 1.65	
ROT: CCWPE	
RPM: 3450/1725	
TYPE: F/C	CODE: M
FORM:	FRAME: 48Y
VOLTS: 115	
AMPS:	
MAX AMPS: 13.0/4.2	
SF AMPS: -	
PH: 1	HZ: 60
INS: B	AMB: 50
DUTY: CONT	
ENCLOSURE: ODP	
THERMALLY PROTECTED TYPE T	



NOTES



PERFORMANCE CURVE	APPROVED SAMPLE		
K48K2W6			
UL COMPONENT	CSA		
FILE#	CCN#	FILE#	GUIDE#
E46412	PRGY2	LR43341	4211-01
CUSTOMER	DISTRIBUTION SERVICES		

形位公差
□ 平面度
— 直线度
∠ 倾斜度
⊥ 垂直度
∥ 平行度
○ 圆度
⊘ 圆柱度
△ 面轮廓度
⌒ 线轮廓度
↗ 圆跳动
⊕ 位置度
⊙ 同轴度
≡ 对称度

除另有注明
尺寸公差如下:
英寸 X XX XXX XXXX
毫米 ±.1 ±.02 ±.005 ±.0005
±0.5 ±0.13 ±0.013
角度 ±.50 度
清理毛刺和尖棱
英寸 .003-.015 毫米 0.1-0.4
内圆角
英寸 .020 毫米 0.5
表面粗糙度
英寸 125 米制 3.2

绘图: JLG
批准:
5-12-09
第三角投影
图纸格式发布日期 11-11-2011
图纸格式版本 H
机密: 本图纸及相关信息所有权归REGAL-BELOIT CORPORATION
未经REGAL-BELOIT CORPORATION书面授权, 不得泄露、
复制、传播或作其他用途。—版权所有

REGAL REGAL-BELOIT CORPORATION

名称: MODEL-PFHP-48FR
OUTLINE
SQL1072R

图幅: C 图号: SQL1072R

比例: NONE 页号: 1

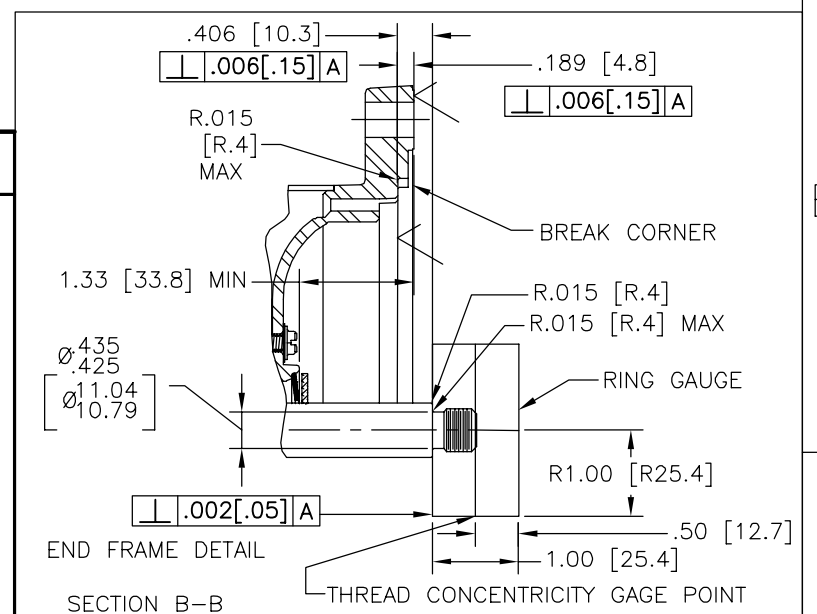
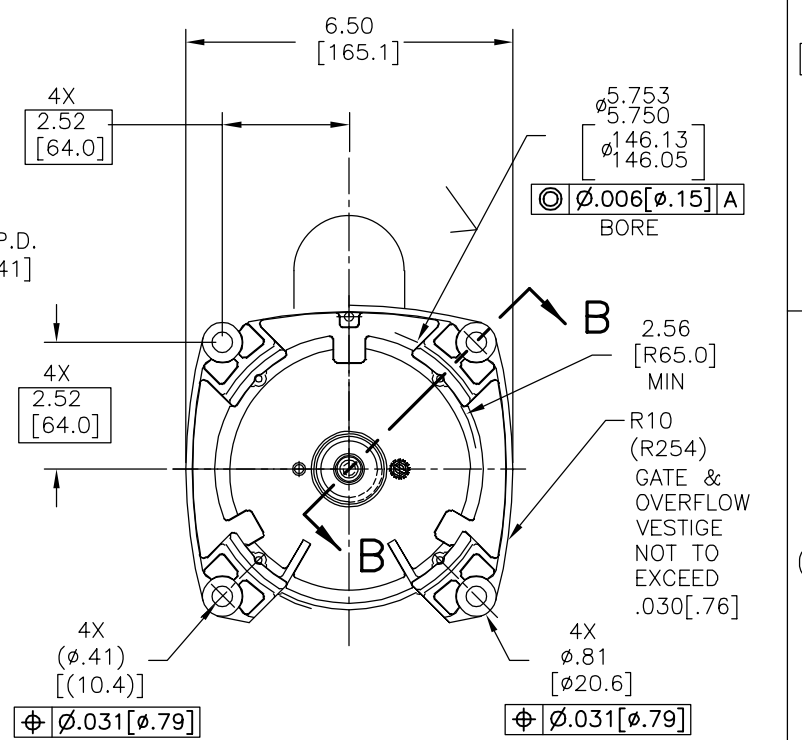
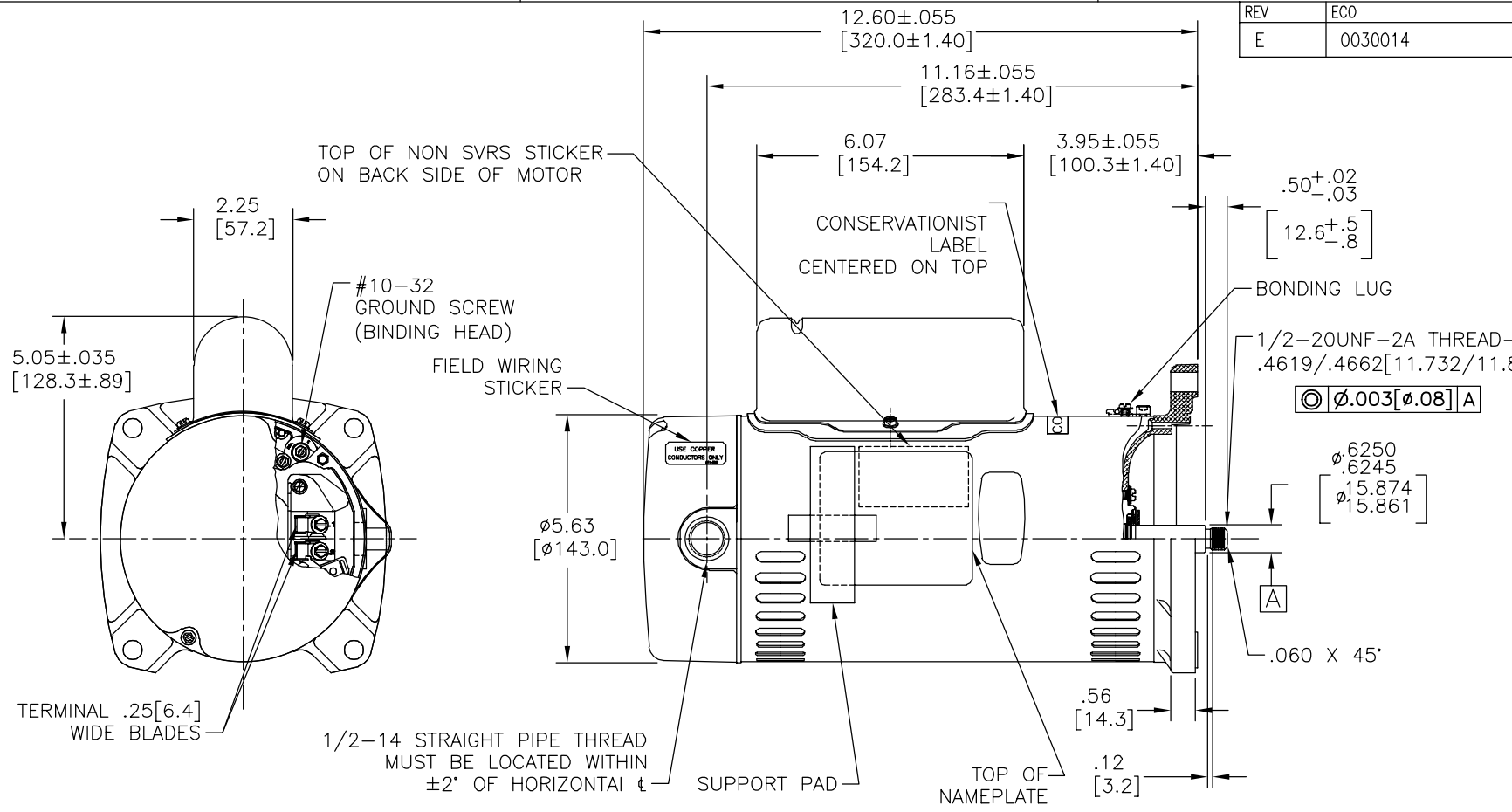
4

3

2

1

REV	ECO	REV BY	DATE	APPD	DATE
E	0030014	B.ZHAO	01-06-2013	B.SHEN	01-06-2013



NAMEPLATE DATA	EXTERNAL CONNECTION DIAGRAM	NOTES
MODEL: K48K2PA102B2 CUST PN: SQL1072R HP: 0.75/0.125 SF: 1.65 ROT: CCWPE RPM: 3450/1725 TYPE: F/C CODE: M FORM: FRAME: 48Y VOLTS: 115 AMPS: MAX AMPS: 13.0/4.2 SF AMPS: - PH: 1 HZ: 60 INS: B AMB: 50 DUTY: CONT ENCLOSURE: ODP THERMALLY PROTECTED TYPE T		<ol style="list-style-type: none"> 1. FINISH PAINT TO BE SATIN BLACK. 2. .44[11.2] WRENCH FLATS ON SHAFT-FOR ACCESS TO THIS WRENCH FLAT REMOVE END COVER. 3. STAINLESS STEEL SHAFT EXT. 4. LIMITS ON AMPLITUDE OF VIBRATION MEASURED AT BEARING HOUSING=.001[.03]. 5. CAPACITOR HOUSING TO BE LOCATED WITHIN ±2.5' OF VERTICAL centerline OF END FRAME (P.E.). 6. CONNECTED FOR 230 VOLTS.

PERFORMANCE CURVE	APPROVED SAMPLE	GEOMETRIC CHARACTERISTICS & SYMBOLS ▽ FLATNESS - STRAIGHTNESS ∠ ANGULARITY ⊥ PERPENDICULARITY (SQUARENESS) // PARALLELISM ○ ROUNDNESS (CIRCULARITY) ⌀ CYLINDRICITY △ PROFILE OF ANY SURFACE ∩ PROFILE OF ANY LINE ↗ RUNOUT ⊕ TRUE POSITION ⊙ CONCENTRICITY = SYMMETRY	UNLESS OTHERWISE SPECIFIED DIM. TOLERANCES ARE AS FOLLOWS: INCH X XX XXX XXXX ±.1 ±.02 ±.005 ±.0005 mm ±0.5 ±0.13 ±0.013 ANG. ±.50 DEG REMOVE BURRS & BREAK SHARP EDGES: INCH .003-.015 mm 0.1-0.4 CORNER FILLETS TO: INCH .020 mm 0.5 MACHINE SURFACES: INCH 125 mm 3.2	DR BY: JLG	5-12-09
K48K2W6	CSA			APPD:	EDS DATE 11-11-2011
UL COMPONENT	CSA			THIRD ANGLE PROJECTION	
FILE#	CCN#	FILE#	GUIDE#	CONFIDENTIAL: THIS DRAWING AND ITS INFORMATION ARE THE EXCLUSIVE AND CONFIDENTIAL PROPERTY OF REGAL-BELOIT CORPORATION AND ARE NOT TO BE DISCLOSED, DUPLICATED, DISTRIBUTED OR OTHERWISE USED WITHOUT THE WRITTEN CONSENT OF REGAL-BELOIT CORPORATION. -ALL RIGHTS RESERVED.	
E46412	PRGY2	LR43341	4211-01		
CUSTOMER	DISTRIBUTION SERVICES				

REGAL-BELOIT CORPORATION	
DESCRIPTION	
MODEL-PFHP-48FR OUTLINE	
SIZE	DWG NO
C	SQL1072R
SCALE	SHEET
NONE	1

4

3

2

1

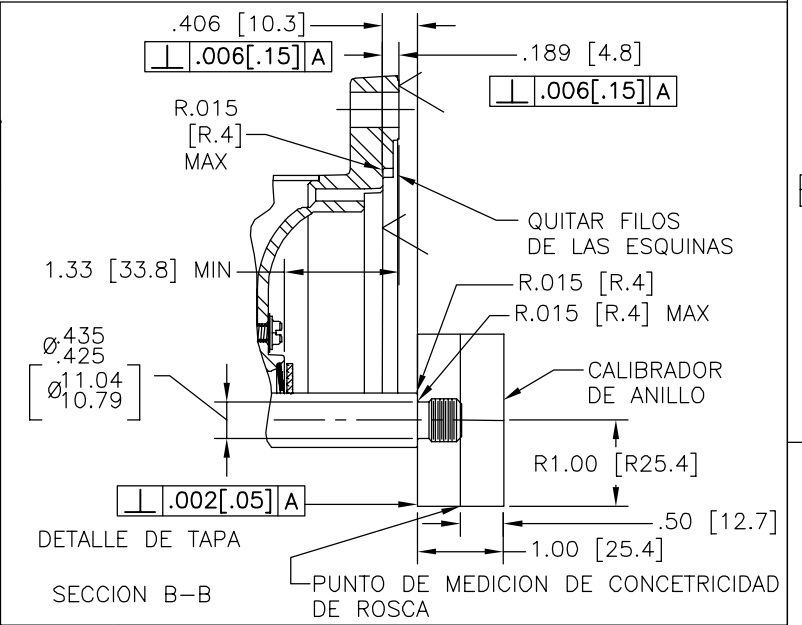
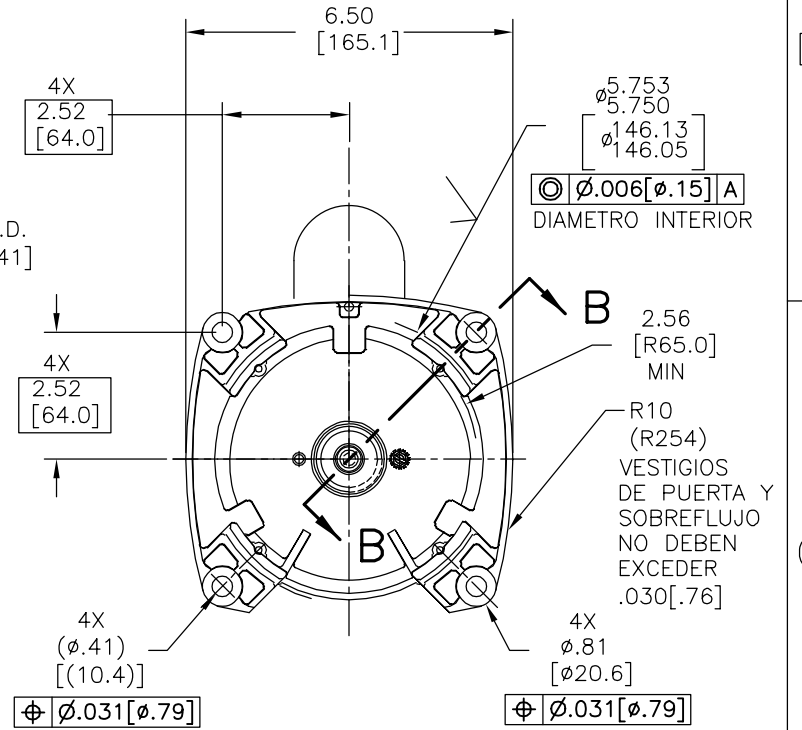
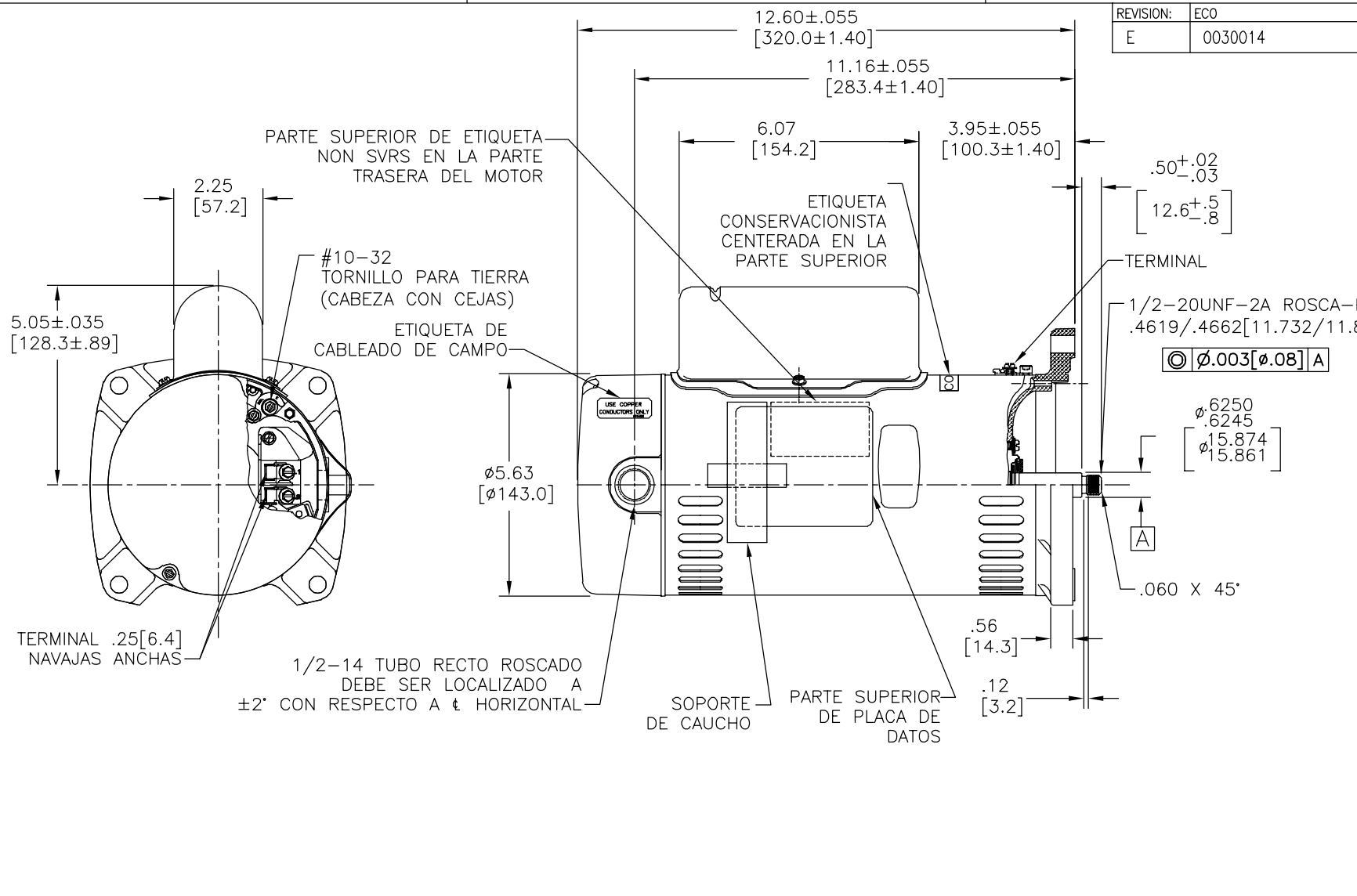
4

3

2

1

REVISION: ECO	REVISADO POR: B.ZHAO	FECHA: 01-06-2013	APROBADO POR: B.SHEN	FECHA: 01-06-2013
E	0030014			



NAMEPLATE DATA	EXTERNAL CONNECTION DIAGRAM	NOTES
MODEL: K48K2PA102B2 CUST PN: SQL1072R HP: 0.75/0.125 SF: 1.65 ROT: CCWPE RPM: 3450/1725 TYPE: F/C CODE: M FORM: FRAME: 48Y VOLTS: 115 AMPS: MAX AMPS: 13.0/4.2 SF AMPS: - PH: 1 HZ: 60 INS: B AMB: 50 DUTY: CONT ENCLOSURE: ODP THERMALLY PROTECTED TYPE T		<ol style="list-style-type: none"> EL ACABADO DE LA PINTURA SERA NEGRO SATINADO. LLAVE PLANA DE .44[11.2] EN FLECHA - PARA ACCESO A ESTA LLAVE PLANA REMOVER CUBIERTA. EXTENSION DE FLECHA DE ACERO INOXIDABLE. MEDIDA DE LOS LIMITES DE AMPLITUD DE VIBRACION EN LA CAVIDAD DEL BALERO=.001[.03]. CUBIERTA DEL CAPACITOR SERA UBICADO ENTRE ±2.5' DE LA LINEA VERTICAL t DE LA TAPA (LADO DE BOMBA). CONECTADO A 230 VOLTS

PERFORMANCE CURVE	APPROVED SAMPLE	CARACTERISTICAS DE GEOMETRIA Y SIMBOLOS □ PLANICIDAD - RECTITUD ∠ ANGULARIDAD ⊥ PERPENDICULARIDAD (A ESQUADRA) // PARALELISMO ○ REDONDEZ (CIRCULARIDAD) ∅ CILINDRICIDAD △ PERFIL DE CUALQUIER SUPERFICIE ∩ PERFIL DE CUALQUIER LINEA ∇ VARIACION ⊕ POSICION REAL ⊙ CONCENTRICIDAD = SIMETRIA ASME Y14.5M 1994	DIBUJADO POR: JLG APROBADO POR: TERCER ANGULO DE PROYECCION FECHA EDS: 11-11-2011 REV. FORMATO: H
K48K2W6	CSA		A MENOS QUE SE ESPECIFIQUE DE OTRA MANERA, LAS TOLERANCIAS DE LAS DIMS; SON LAS SIGUIENTES: PULG ±.1 ±.02 ±.005 ±.0005 mm ±0.5 ±0.13 ±0.013 ANG. ±50 GRADOS ELIMINAR REBABAS Y ORILLAS FILOSAS DEL BORDE. PULG .003-.015 mm 0.1-0.4 FILETEAR ESQUINA: PULG .020 mm 0.5 MAQUINAR SUPERFICIES PULG 125 mm 3.2 DIMS METRICAS MOSTRADAS [PARENTESIS]
UL COMPONENT	CSA		REGAL REGAL-BELOIT CORPORATION DESCRIPCION: MODEL-PFHP-48FR OUTLINE TAMAÑO: C NUMERO DE DIBUJO: SQL1072R ESCALA:NONE HOJA: 1
FILE#	CCN#	FILE#	GUIDE#
E46412	PRGY2	LR43341	4211-01
CUSTOMER	DISTRIBUTION SERVICES		

4

3

2

1