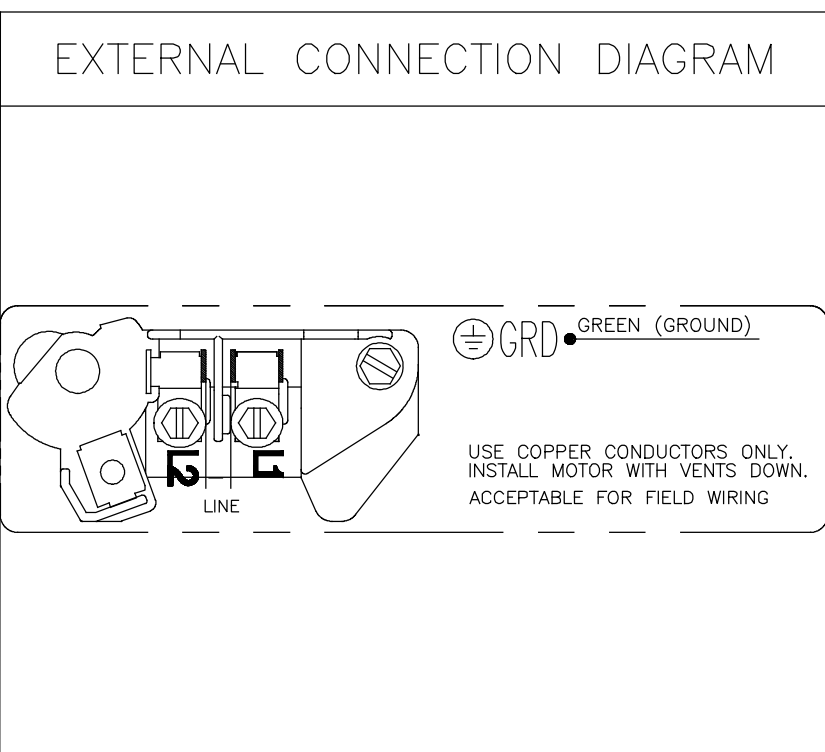
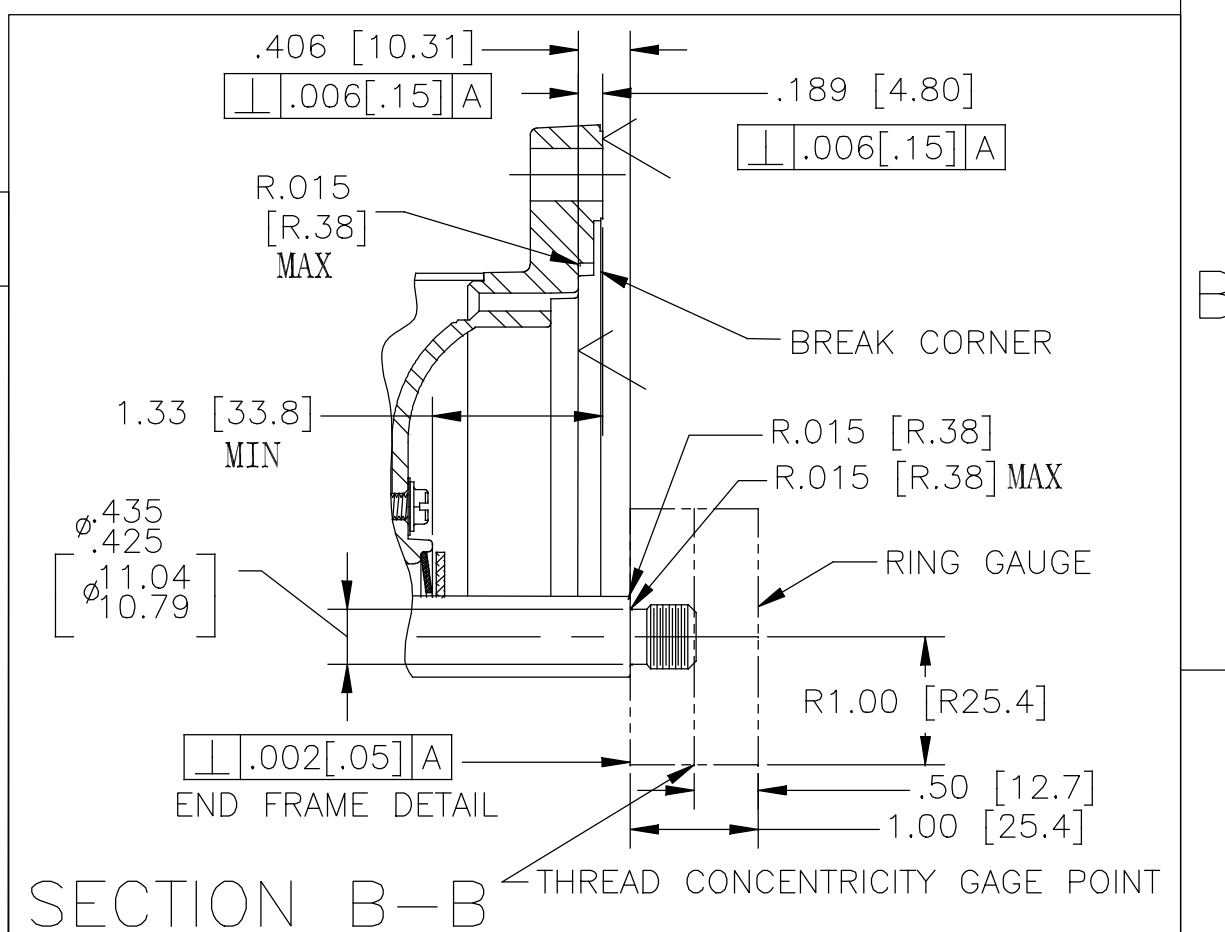


NAMEPLATE DATA	
MODEL: K48N2PA105C4	CUST PN: SQ1202
HP: 2.0	SF: 1.3
ROT: CCWPE	RPM: 3450
TYPE: UAK	FORM: CODE: H
FRAMES: 48 Y	VOLTS: 230
AMPS: MAX AMPS: 11.2	SF AMPS: -
PH: 1	HZ: 60
INS: B	AMB: 50°C
DUTY: CONT	ENCLOSURE: ODP
THERMALLY PROTECTED	



- NOTES
1. FINISH PAINT TO BE SATIN BLACK.
 2. .44 [11.2] WRENCH FLATS ON SHAFT-FOR ACCESS TO THIS WRENCH FLAT REMOVE END COVER.
 3. STAINLESS STEEL SHAFT EXT.
 4. LIMITS ON AMPLITUDE OF VIBRATION MEASURED AT BEARING HOUSING = .001.
 5. CAPAC. HOUSING TO BE LOCATED WITHIN ±2.5° OF VERTICAL ϕ OF END FRAME (P.E.).



PERFORMANCE CURVE	APPROVED SAMPLE		
K48N2W1			
UL COMPONENT	CSA		
FILE#	CCN#	FILE#	GUIDE#
E25022	XEWR2	LR43341	4211-01
CUSTOMER		DISTRIBUTION SERVICES	

DRAWING REVISION	REVISION BY	DATE
J		
ECO	APPROVED BY	DATE
ECO-0165900		
ECO DESCRIPTION		
SEE ECO		

TOLERANCES UNLESS OTHERWISE SPECIFIED
DEC. INCH mm ANGLE
.X ±0.1 [±2.5] ±0.5°
.XX ±0.02 [±0.51]
.XXX ±0.005 [±0.127]
.XXXX ±0.0005 [±0.0127]
REMOVE BURRS & BREAK SHARP EDGES .003/.015 [0.076/.381]
CORNER FILLETS .02 [51]
MACHINED SURFACES 125/32
mm SHOWN IN [BRACKETS]

DRAWN BY:	DATE:	APPROVED BY:	DATE:
JLG	05-12-2009		
REGAL™ Regal Beloit America, Inc.		DESCRIPTION	
		MODEL-PFHP-48FR OUTLINE	
PROCESS/FINISH		MATERIAL	
THIRD ANGLE PROJECTION		SIZE DWG NO	
		SQ1202	
		SHEET 1	