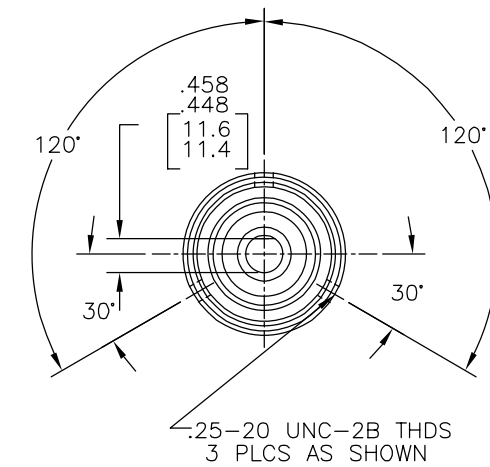
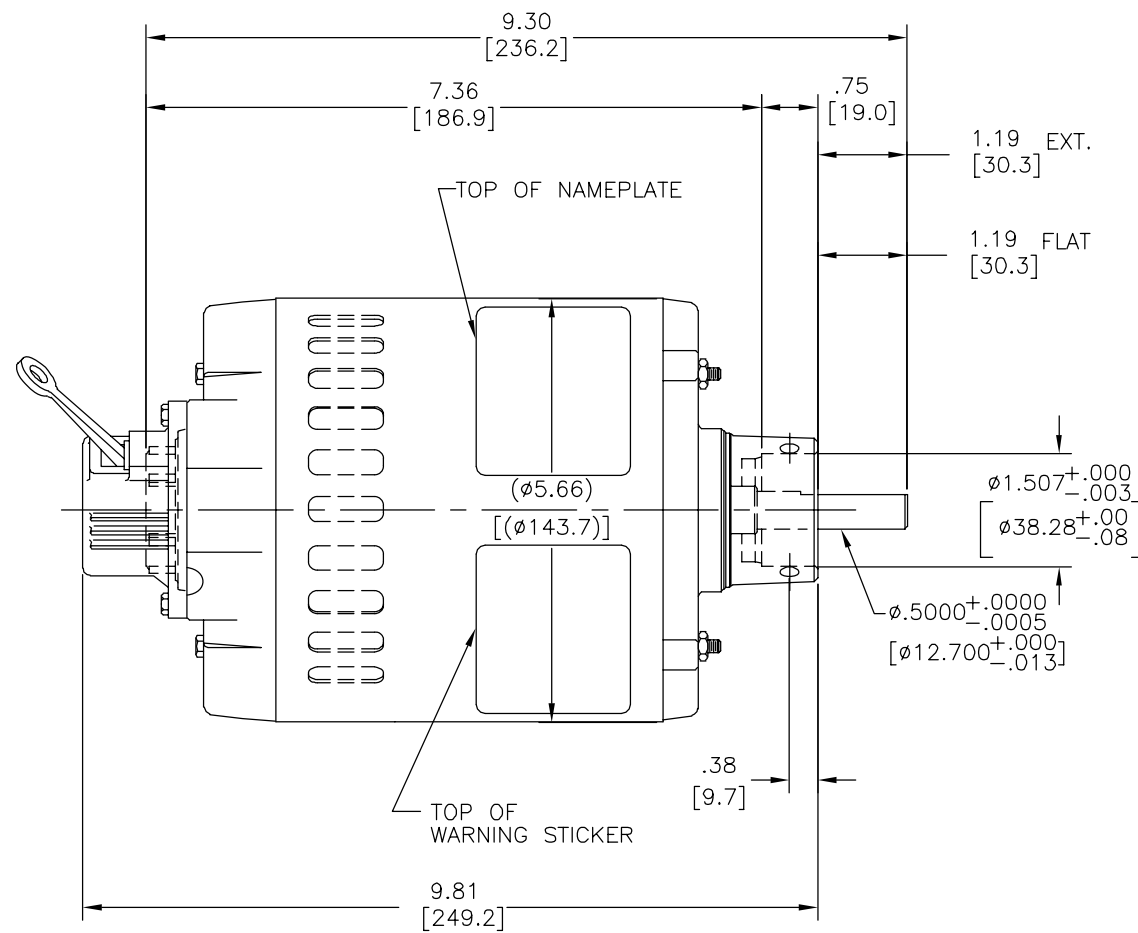
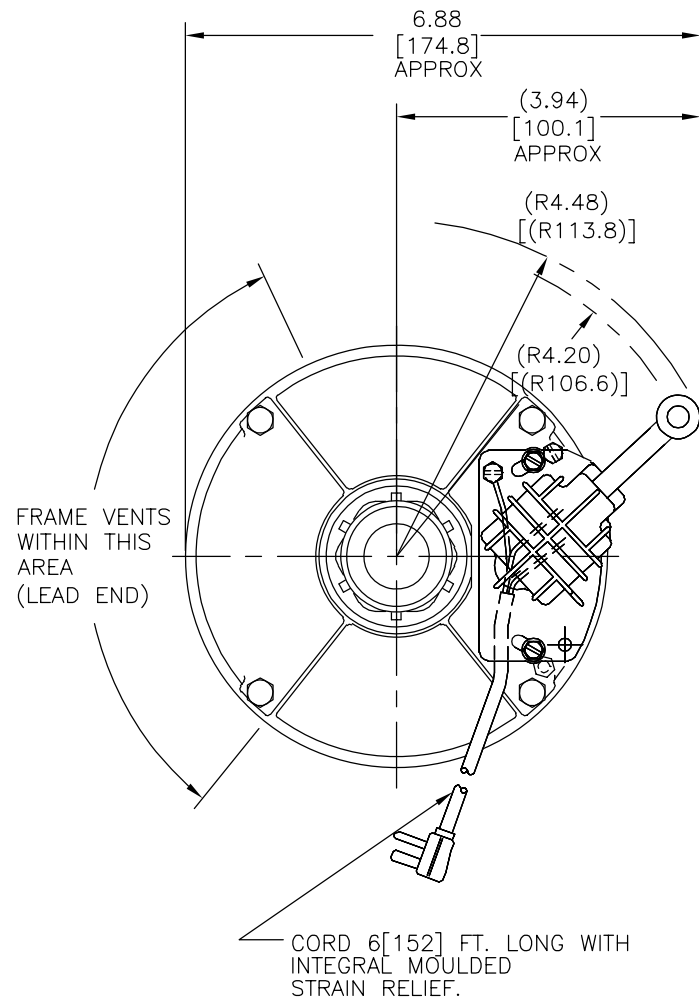


REV	ECO	REV BY	DATE	APPD	DATE
E	0024317	L.LI	04-07-2012	B.SHEN	04-07-2012



SHAFT CONCENTRIC WITH 1.507[38.28] D. WITHIN .003[0.08] T.I.R. AND PERPENDICULAR WITH HUB FACE WITHIN .003[0.08] T.I.R.

NAMEPLATE DATA	EXTERNAL CONNECTION DIAGRAM	NOTES
MODEL: S48D47A01 CUST PN: SP2034A HP: 1/3 SF: 1.0 ROT: CW RPM: 1725 TYPE: S CODE: P FORM: FRAME: 48Y VOLTS: 115 AMPS: 6.0 MAX AMPS: SF AMPS: - PH: 1 HZ: 60 INS: AMB: 40 DUTY: CONT ENCLOSURE: ODP THERMALLY PROTECTED: TYPE A	<p style="text-align: center;">CONNECTIONS</p> <p>RED ● 4 L1 ● LINE (CCW ROT.) GROUND LINE BLACK ● 2 L2 ● (115 CIRCUIT)</p> <p>FOR CW ROT. INTERCHANGE RED & BLACK</p>	NOTES: (1) MAIN FRAME FINISH PAINT TO BE SATIN BLACK END FRAMES BRIGHT ALUM. (2) STAINLESS STEEL SHAFT EXT.

PERFORMANCE CURVE	APPROVED SAMPLE		
L999200			
UL COMPONENT	CSA		
FILE#	CCN#	FILE#	GUIDE#
E25022	XEWR2	LR43341	4211-01
CUSTOMER	DISTRIBUTION SERVICES		

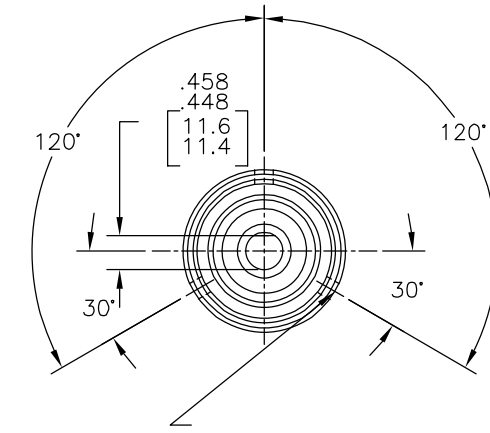
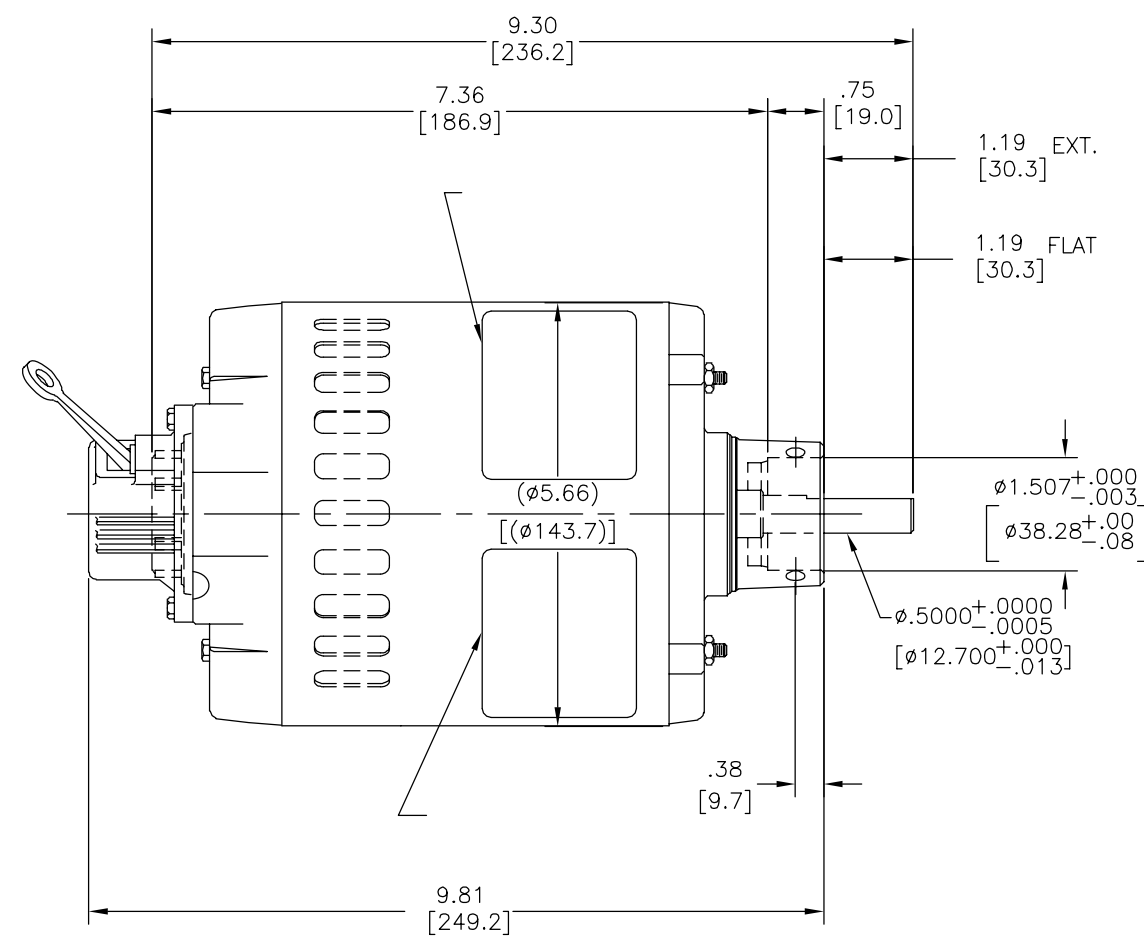
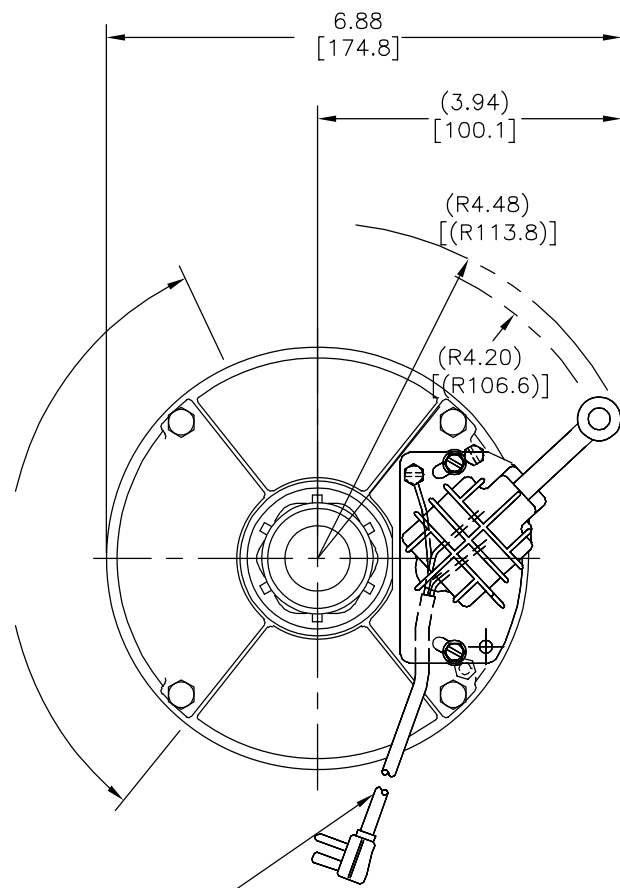
GEOMETRIC CHARACTERISTICS & SYMBOLS
 □ FLATNESS
 - STRAIGHTNESS
 < ANGLARITY
 ⊥ PERPENDICULARITY (SQUARENESS)
 // PARALLELISM
 ○ ROUNDNESS (CIRCULARITY)
 ∅ CYLINDRICITY
 △ PROFILE OF ANY SURFACE
 ∩ PROFILE OF ANY LINE
 ↑ RUNOUT
 ⊕ TRUE POSITION
 ⊙ CONCENTRICITY
 = SYMMETRY
 ASME Y14.5M 1994

UNLESS OTHERWISE SPECIFIED DIM. TOLERANCES ARE AS FOLLOWS:
 INCH X XX XXX XXXX
 ±.1 ±.02 ±.005 ±.0005
 mm ±0.5 ±0.13 ±0.013
 ANG. ±.50 DEG
 REMOVE BURRS & BREAK SHARP EDGES:
 INCH .003-.015 mm 0.1-0.4
 CORNER FILLETS TO:
 INCH .020 mm 0.5
 MACHINE SURFACES:
 INCH 125 mm 3.2

DR BY:	L.LI	04-07-2012
APPD:	B.SHEN	04-07-2012
THIRD ANGLE PROJECTION	EDS DATE 11-11-2011	FORMAT REV G
CONFIDENTIAL: THIS DRAWING AND ITS INFORMATION ARE THE EXCLUSIVE AND CONFIDENTIAL PROPERTY OF REGAL-BELOIT CORPORATION AND ARE NOT TO BE DISCLOSED, DUPLICATED, DISTRIBUTED OR OTHERWISE USED WITHOUT THE WRITTEN CONSENT OF REGAL-BELOIT CORPORATION. -ALL RIGHTS RESERVED.		

DESCRIPTION	
MODEL-RFHP-48FR OUTLINE	
SIZE	DWG NO
C	SP2034A
SCALE	SHEET
NONE	1

REVISION:	ECO	REVISADO POR:	FECHA:	APROBADO POR:	FECHA:
E	0024317	L.LI	04-07-2012	B.SHEN	04-07-2012



NAMEPLATE DATA	EXTERNAL CONNECTION DIAGRAM	NOTES
MODEL: S48D47A01 CUST PN: SP2034A HP: 1/3 SF: 1.0 ROT: CW RPM: 1725 TYPE: S FORM: CODE: P FRAME: 48Y VOLTS: 115 AMPS: 6.0 MAX AMPS: SF AMPS: - PH: 1 HZ: 60 INS: AMB: 40 DUTY: CONT ENCLOSURE: ODP THERMALLY PROTECTED: TYPE A	<p style="text-align: center;">CONNECTIONS</p> <p>RED ● 4 L1 ● LINE (CCW ROT.) GROUNDED LINE BLACK ● 2 L2 ● (115 CIRCUIT)</p> <p>FOR CW ROT. INTERCHANGE RED & BLACK</p>	NOTES: (1) MAIN FRAME FINISH PAINT TO BE SATIN BLACK END FRAMES BRIGHT ALUM. (2) STAINLESS STEEL SHAFT EXT.

PERFORMANCE CURVE	APPROVED SAMPLE		
L999200			
UL COMPONENT	CSA		
FILE#	CCN#	FILE#	GUIDE#
E25022	XEWR2	LR43341	4211-01
CUSTOMER	DISTRIBUTION SERVICES		

CARACTERISTICAS DE GEOMETRIA Y SIMBOLOS

- PLANICIDAD
- RECTITUD
- ∠ ANGULARIDAD
- ⊥ PERPENDICULARIDAD (A ESCUADRA)
- // PARALELISMO
- REDONDEZ (CIRCULARIDAD)
- ∅ CILINDRICIDAD
- △ PERFIL DE CUALQUIER SUPERFICIE
- ∩ PERFIL DE CUALQUIER LINEA
- ↑ VARIACION
- ⊕ POSICION REAL
- ⊙ CONCENTRICIDAD
- = SIMETRIA

ASME Y14.5M 1994

A MENOS QUE SE ESPECIFIQUE DE OTRA MANERA, LAS TOLERANCIAS DE LAS DIMS; SON LAS SIGUIENTES:

PULG ±.1 ±.02 ±.005 ±.0005
 mm ±0.5 ±0.13 ±0.013

ANG. ± 50 GRADOS

ELIMINAR REBABAS Y ORILLAS FILOSAS DEL BORDE.

PULG .003-.015 mm 0.1-0.4
 FILETEAR ESQUINA: PULG .020 mm 0.5

MAQUINAR SUPERFICIES

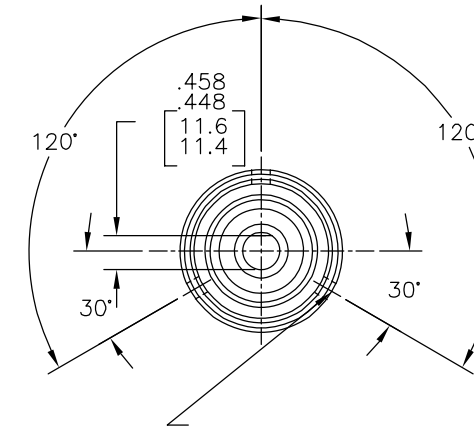
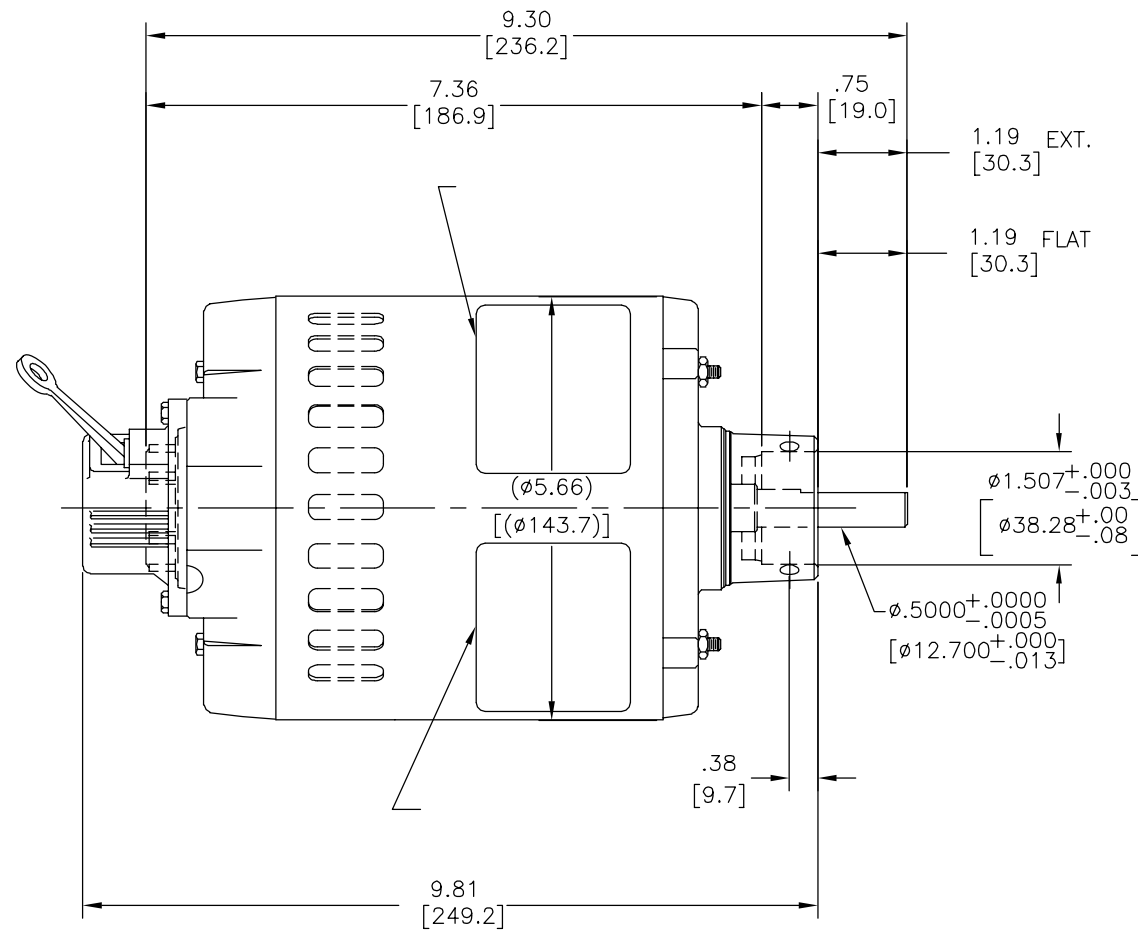
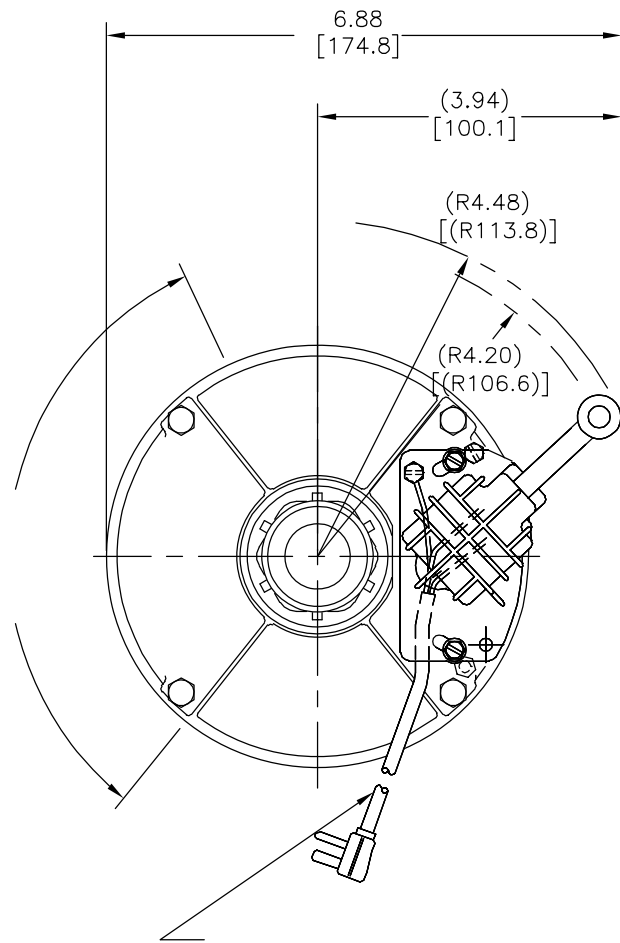
PULG 125 mm .32

DIMS METRICAS MOSTRADAS [PARENTESIS]

DIBUJADO POR:	04-07-2012
L.LI	
APROBADO POR:	04-07-2012
B.SHEN	
TERCER ANGULO DE PROYECCION	FECHA EDS: 11-11-2011
REV. FORMATO: G	
CONFIDENCIAL: ESTE DIBUJO Y SU INFORMACION SON PROPIEDAD DE USO EXCLUSIVO Y CONFIDENCIAL DE REGAL-BELOIT CORPORATION. Y NO DEBERAN SER REVELADOS, DUPLICADOS, DISTRIBUIDOS O USARSE DE OTRA MANERA SIN EL CONSENTIMIENTO ESCRITO DE REGAL-BELOIT CORPORATION. -TODOS LOS DERECHOS RESERVADOS.	

DESCRIPCION:	
MODEL-RFHP-48FR OUTLINE	
TAMAÑO: C	NUMERO DE DIBUJO: SP2034A
ESCALA: NONE	HOJA: 1

版本	ECO	编制	日期	批准	日期
E	0024317	L.LI	04-07-2012	B.SHEN	04-07-2012



NAMEPLATE DATA	EXTERNAL CONNECTION DIAGRAM	NOTES
MODEL: S48D47A01 CUST PN: SP2034A HP: 1/3 SF: 1.0 ROT: CW RPM: 1725 TYPE: S CODE: P FORM: FRAME: 48Y VOLTS: 115 AMPS: 6.0 MAX AMPS: SF AMPS: - PH: 1 HZ: 60 INS: AMB: 40 DUTY: CONT ENCLOSURE: ODP THERMALLY PROTECTED: TYPE A	<p style="text-align: center;">CONNECTIONS</p> <p>RED ● 4 L1 ● LINE (CCW ROT.) BLACK ● 2 L2 ● GROUNDED LINE (115 CIRCUIT)</p> <p>FOR CW ROT. INTERCHANGE RED & BLACK</p>	NOTES: (1) MAIN FRAME FINISH PAINT TO BE SATIN BLACK END FRAMES BRIGHT ALUM. (2) STAINLESS STEEL SHAFT EXT.

PERFORMANCE CURVE	APPROVED SAMPLE		
L999200			
UL COMPONENT	CSA		
FILE#	CCN#	FILE#	GUIDE#
E25022	XEWR2	LR43341	4211-01
CUSTOMER	DISTRIBUTION SERVICES		

形位公差
 □ 平面度
 — 直线度
 < 倾斜度
 ⊥ 垂直度
 // 平行度
 ○ 圆度
 ⊙ 圆柱度
 △ 面轮廓度
 ∩ 线轮廓度
 ↗ 圆跳动
 ⊕ 位置度
 ⊙ 同轴度
 ≡ 对称度

ASME Y14.5M 1994

除另有注明
 尺寸公差如下:
 英寸 X XX XXX XXXX
 毫米 ±0.1 ±0.02 ±0.005 ±0.0005
 毫米 ±0.5 ±0.13 ±0.013
 角度 ±.50 度
 清理毛刺和尖棱
 英寸 .003-.015 毫米 0.1-0.4
 内圆角
 英寸 .020 毫米 0.5
 表面粗糙度
 英制 125 米制 3.2
 米制尺寸显示在 []

绘图: L.LI 04-07-2012
 批准: B.SHEN 04-07-2012
 第三角投影

名称: MODEL-RFHP-48FR OUTLINE
 图幅: C 图号: SP2034A
 比例: NONE 页号: 1

机密: 本图纸及相关信息所有权归REGAL-BELOIT CORPORATION
 未经REGAL-BELOIT CORPORATION书面授权, 不得泄露、
 复制、传播或作其他用途。—版权所有

REGAL-BELOIT CORPORATION

名称: MODEL-RFHP-48FR OUTLINE
 图幅: C 图号: SP2034A
 比例: NONE 页号: 1