

4

3

2

1

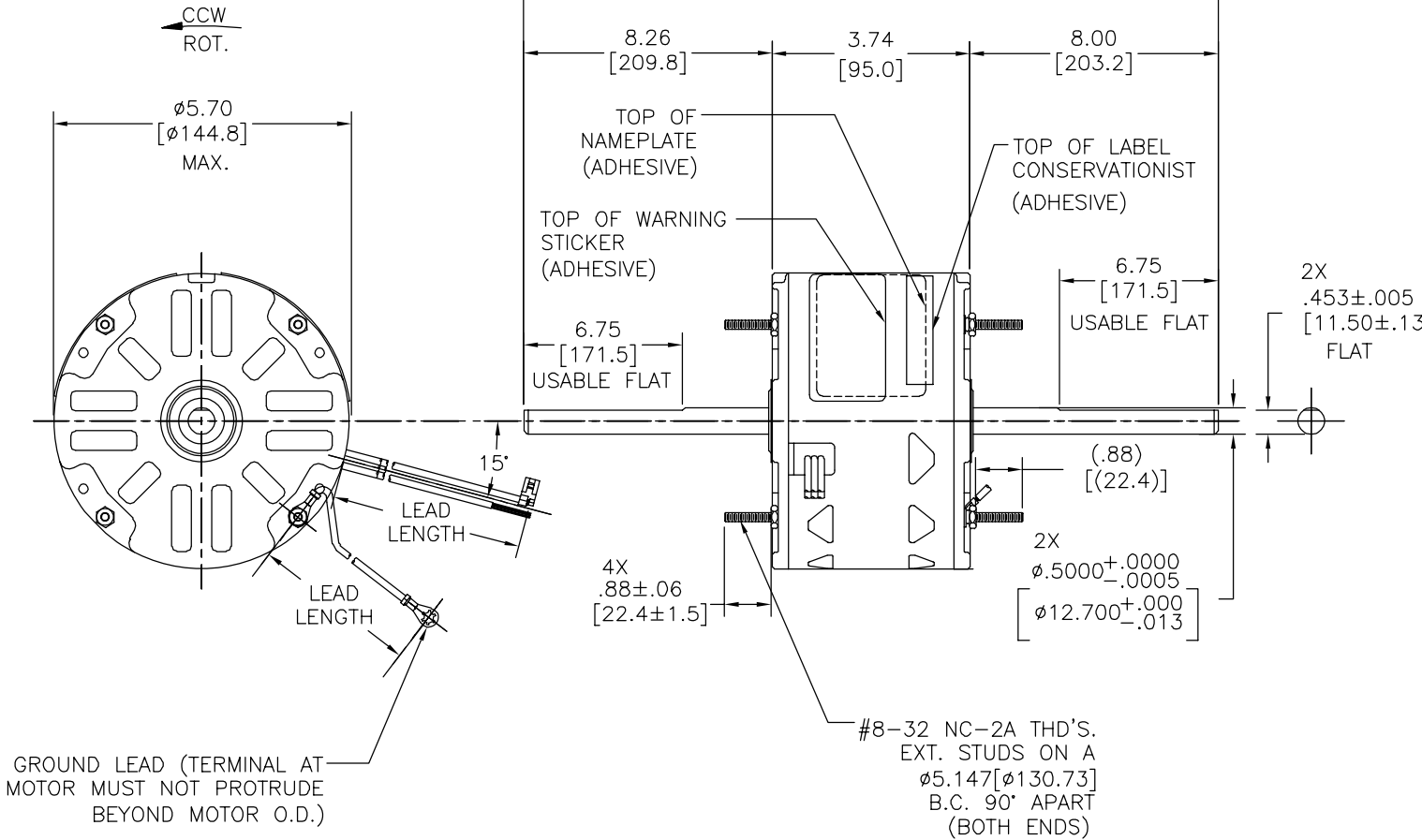
REV	ECO	REV BY	DATE	APPD	DATE
B	ECO-0024313	C.ZHANG	02-16-2012	B.C.SHEN	02-16-2011

GENERAL INFORMATION:

SHAFT RUNOUT: .001[.03] T.I.R. PER INCH LENGTH OF EXTENSION.  
 END PLAY: .010[.25] TO .063[1.60]  
 BEARINGS: SLEEVE  
 MOUNTING POSITION: HORIZONTAL

ELECTRICAL DATA:

OVERLOAD PROTECTOR: AUTOMATIC RESET (T.I. 7AM 036)  
 LEADS: NO. 18 GA., .06[1.5] THK. PVC 105°C INSUL.  
 GROUND LEAD: NO. 18 GA., .03[.8] THK., (GREEN) INSUL.



NAMEPLATE DATA:	EXTERNAL CONNECTION DIAGRAM
MODEL NO.: F48M78A01 CUST. P/N: SA1016 HP: 1/6 ROT.: CCWLE RPM: 1075/3 SPD. TYPE: UF FRAME: 48Y VOLTS: 208-230 PH: 1 AMPS: 0.96(1.1 MAX.) HZ: 60 INS.: B AMB.: 40° C DUTY: AIR OVER CAP.: 5 MFD/370V ENCL: SEMI-ENCL. CSA LOGO UL LOGO THERMALLY PROTECTED	
	614131-106

COLOR	LENGTH	TERMINAL OR STRIP LENGTH
GREEN(GRD)	29.0/31.0 [737/787]	#10 EYELET
BROWN/WHITE	35.0/37.0 [889/940]	.25[6.4] FLAG
BROWN	35.0/37.0 [889/940]	.25[6.4] FLAG
WHITE	35.0/37.0 [889/940]	.60[15.2] SKIN
BLACK	35.0/37.0 [889/940]	.60[15.2] SKIN
BLUE	35.0/37.0 [889/940]	.60[15.2] SKIN
RED	35.0/37.0 [889/940]	.60[15.2] SKIN

LEAD DATA

FILE #	CCN #	FILE #	CLASS #
E46412	PRGY2	LR43341	4211-01

MAIN FRAME - OLE	SEMI-ENCLOSED
END FRAME - OLE	OPEN
MAIN FRAME - LE	SEMI-ENCLOSED
END FRAME - LE	OPEN

CUSTOMER	DISTRIBUTION SERVICE

GEOMETRIC CHARACTERISTICS & SYMBOLS

- ▭ FLATNESS
- STRAIGHTNESS
- ∠ ANGULARITY
- ⊥ PERPENDICULARITY (SQUARENESS)
- ∥ PARALLELISM
- ROUNDNESS (CIRCULARITY)
- ⊘ CYLINDRICITY
- △ PROFILE OF ANY SURFACE
- ∧ PROFILE OF ANY LINE
- ↗ RUNOUT
- ⊕ TRUE POSITION
- ◎ CONCENTRICITY
- ≡ SYMMETRY

ASME Y14.5M 1994

REGAL-BELOIT CORPORATION (RBC) PROVIDES TECHNICAL ASSISTANCE TO OUR CUSTOMERS IN SEVERAL AREAS. SINCE RBC DOES NOT RECEIVE ALL DATA CONCERNING THE USE AND APPLICATION OF THE MOTOR, THE SUITABILITY OF THE MOTOR FOR THE APPLICATION MUST BE DETERMINED BY THE CUSTOMER.

DIMENSIONS WITHOUT TOLERANCES ARE FOR REFERENCE ONLY.

DR BY:	C.ZHANG	02-16-2012
APPD:	B.C.SHEN	02-16-2012
THIRD ANGLE PROJECTION		EDS DATE 11-11-2011 FORMAT REV G
CONFIDENTIAL: THIS DRAWING AND ITS INFORMATION ARE THE EXCLUSIVE AND CONFIDENTIAL PROPERTY OF REGAL-BELOIT CORPORATION AND ARE NOT TO BE DISCLOSED, DUPLICATED, DISTRIBUTED OR OTHERWISE USED WITHOUT THE WRITTEN CONSENT OF REGAL-BELOIT CORPORATION. -ALL RIGHTS RESERVED.		

DESCRIPTION MODEL-RFHP-48FR OUTLINE	
SIZE C	DWG NO SA1016
SCALE NONE	SHEET 1

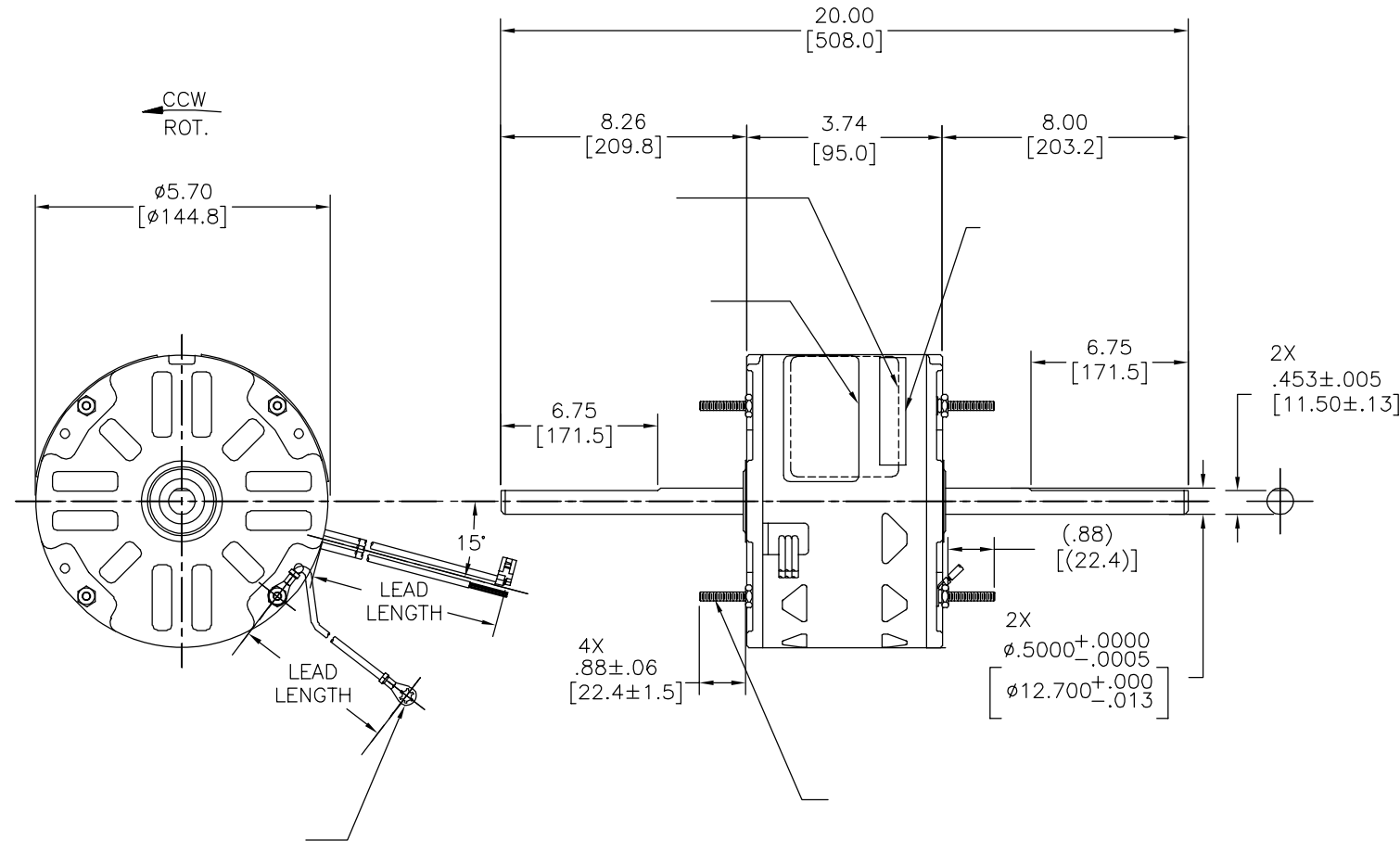
4

3

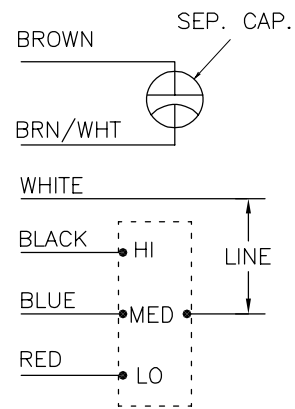
2

1

REVISION:	ECO	REVISADO POR:	FECHA:	APROBADO POR:	FECHA:
B	ECO-0024313	C.ZHANG	02-16-2012	B.C.SHEN	02-16-2011



MODEL NO.: F48M78A01  
 CUST. P/N: SA1016  
 HP: 1/6  
 ROT.: CCWLE  
 RPM: 1075/3 SPD.  
 TYPE: UF  
 FRAME: 48Y  
 VOLTS: 208-230  
 PH: 1  
 AMPS: 0.96(1.1 MAX.)  
 HZ: 60  
 INS.: B  
 AMB.: 40° C  
 DUTY: AIR OVER  
 CAP.: 5 MFD/370V  
 ENCL: SEMI-ENCL.  
 CSA LOGO  
 UL LOGO  
 THERMALLY PROTECTED



614131-106

	29.0/31.0	
	[737/787]	
	35.0/37.0	
	[889/940]	
	35.0/37.0	
	[889/940]	
	35.0/37.0	
	[889/940]	
	35.0/37.0	
	[889/940]	
	35.0/37.0	
	[889/940]	

C23105A	15.88	OZ. FT.	99AE849A	E46412	PRGY2	LR43341	4211-01
---------	-------	---------	----------	--------	-------	---------	---------

DISTRIBUTION SERVICE

CARACTERISTICAS DE GEOMETRIA Y SIMBOLOS  
 ▽ PLANICIDAD  
 — RECTITUD  
 < ANGULARIDAD  
 ⊥ PERPENDICULARIDAD (A ESCUADRA)  
 // PARALELISMO  
 ○ REDONDEZ (CIRCULARIDAD)  
 ∅ CILINDRICIDAD  
 △ PERFIL DE CUALQUIER SUPERFICIE  
 ∇ PERFIL DE CUALQUIER LINEA  
 ↗ VARIACION  
 ⊕ POSICION REAL  
 ⊙ CONCENTRICIDAD  
 = SIMETRIA  
 ASME Y14.5M 1994

REGAL-BELOIT CORPORATION (RBC)  
 PROVEE ASISTENCIA TECNICA A  
 NUESTROS CLIENTES EN VARIAS AREAS.  
 DESDE QUE RBC NO RECIBE TODOS  
 LOS DATOS EN RELACION AL USO Y A  
 LA APLICACION DEL MOTOR, LA  
 APLICACION ADECUADA DEL MOTOR  
 DEBE SER DETERMINADA POR EL  
 CLIENTE.

DIMENSIONES SIN TOLERANCIA SON  
 DE REFERENCIA SOLAMENTE

DIBUJADO POR:  
 C.ZHANG  
 APROBADO POR:  
 B.C.SHEN

02-16-2012

TERCER ANGULO  
 DE PROYECCION



FECHA EDS: 11-11-2011  
 REV. FORMATO: G

CONFIDENCIAL: ESTE DIBUJO Y SU INFORMACION  
 SON PROPIEDAD DE USO EXCLUSIVO Y CONFIDENCIAL DE  
 REGAL-BELOIT CORPORATION. Y NO DEBERAN SER REVELADOS,  
 DUPLICADOS, DISTRIBUIDOS O USARSE DE OTRA MANERA  
 SIN EL CONSENTIMIENTO ESCRITO DE REGAL-BELOIT  
 CORPORATION. -TODOS LOS DERECHOS RESERVADOS.

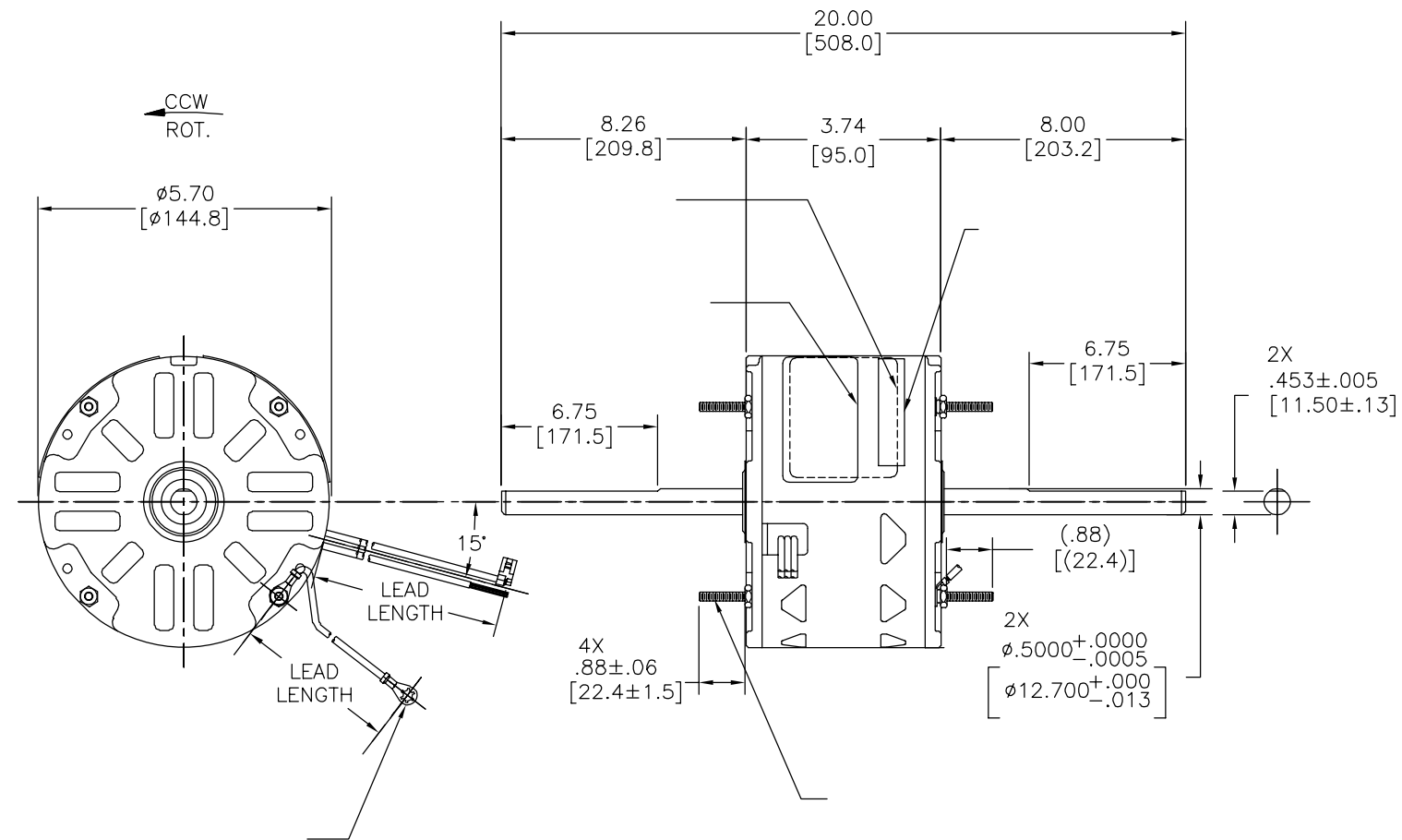


DESCRIPCION:  
 MODEL-RFHP-48FR  
 OUTLINE

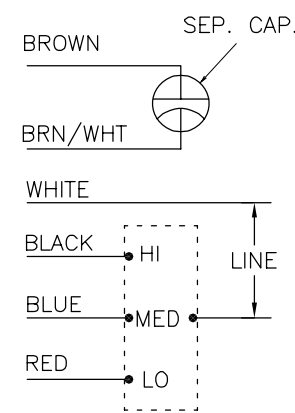
TAMAÑO: C NUMERO DE DIBUJO:  
 SA1016

ESCALA: NONE HOJA: 1

版本	ECO	编制	日期	批准	日期
B	ECO-0024313	C.ZHANG	02-16-2012	B.C.SHEN	02-16-2011



MODEL NO.: F48M78A01  
 CUST. P/N: SA1016  
 HP: 1/6  
 ROT.: CCWLE  
 RPM: 1075/3 SPD.  
 TYPE: UF  
 FRAME: 48Y  
 VOLTS: 208-230  
 PH: 1  
 AMPS: 0.96(1.1 MAX.)  
 HZ: 60  
 INS.: B  
 AMB.: 40° C  
 DUTY: AIR OVER  
 CAP.: 5 MFD/370V  
 ENCL: SEMI-ENCL.  
 CSA LOGO  
 UL LOGO  
 THERMALLY PROTECTED



614131-106

	29.0/31.0	
	[737/787]	
	35.0/37.0	
	[889/940]	
	35.0/37.0	
	[889/940]	
	35.0/37.0	
	[889/940]	
	35.0/37.0	
	[889/940]	
	35.0/37.0	
	[889/940]	

C23105A	15.88	OZ. FT.	99AE849A	E46412	PRGY2	LR43341	4211-01
---------	-------	---------	----------	--------	-------	---------	---------

- 形位公差
- 平面度
- 直线度
- ∠ 倾斜度
- ⊥ 垂直度
- // 平行度
- 圆度
- ⊘ 圆柱度
- △ 面轮廓度
- ∩ 线轮廓度
- ↗ 圆跳动
- ⊕ 位置度
- ⊙ 同轴度
- ≡ 对称度

ASME Y14.5M 1994

REGAL-BELOIT CORPORATION  
 (RBC) 在个别领域为客户  
 提供技术支持。鉴于RBC  
 未收到任何涉及电机使用和  
 应用环境的数据，电机的适用性  
 由客户自己决定。

未注公差尺寸仅供参考。

绘图:	C.ZHANG	02-16-2012
批准:	B.C.SHEN	02-16-2012
第三角投影		图纸格式发布日期 11-11-2011 图纸格式版本 G
机密: 本图纸及相关信息所有权归REGAL-BELOIT CORPORATION 未经REGAL-BELOIT CORPORATION书面授权, 不得泄露、 复制、传播或作其他用途。一版权所有		

REGAL-BELOIT CORPORATION

名称: MODEL-RFHP-48FR  
OUTLINE

图幅: C 图号: SA1016

比例: NONE 页号: 1

