

GENERAL INFORMATION:

SHAFT RUNOUT: .001 [.03] T.I.R. PER INCH LENGTH OF EXTENSION

END PLAY: .010 [.25] TO .063 [1.60]

BEARINGS: SLEEVE

MOUNTING POSITION: HORIZONTAL

ELECTRICAL DATA:

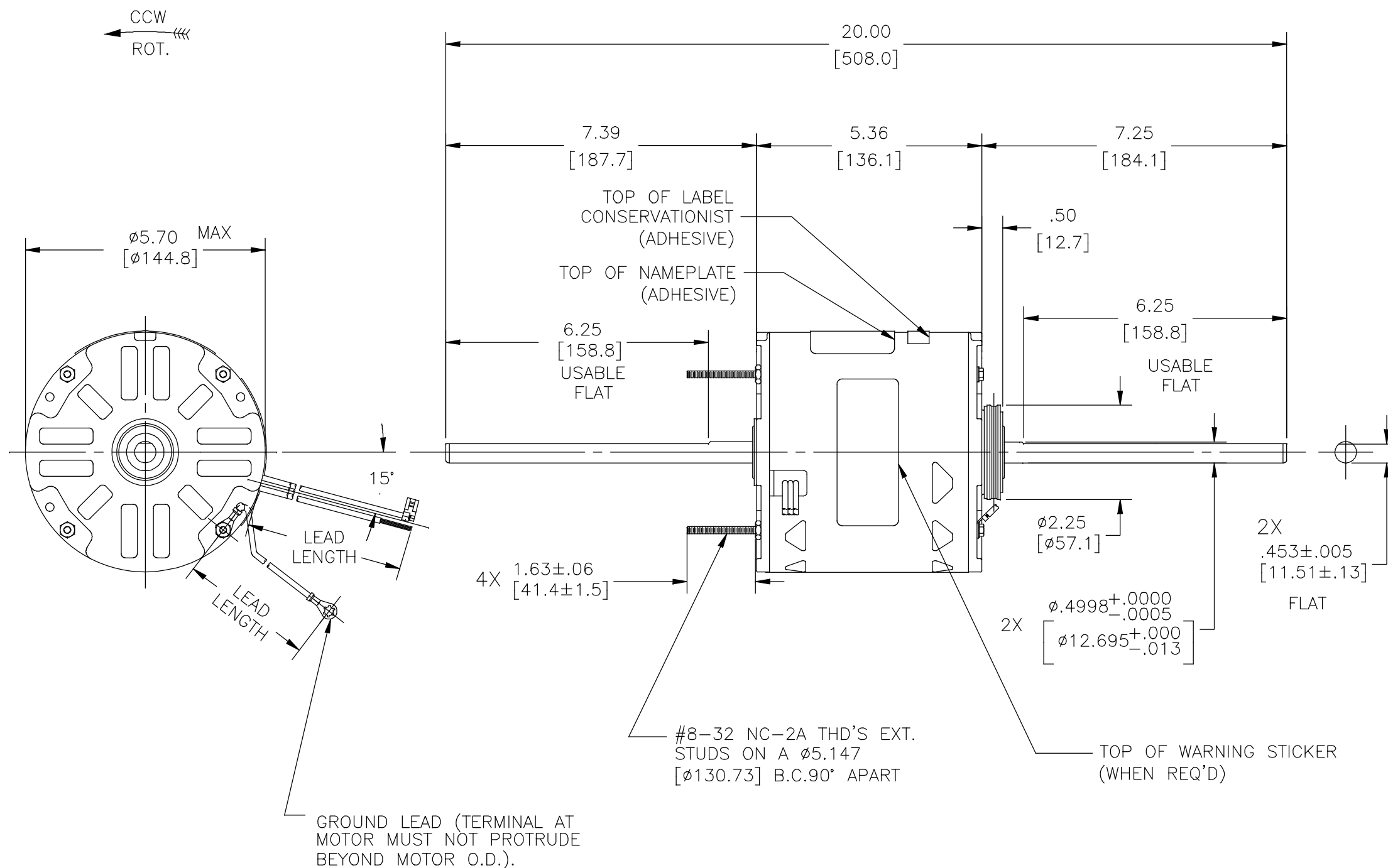
OVERLOAD PROTECTOR: AUTOMATIC RESET (SENSATA 7AM 032)

LEADS: NO. 18 GA., .06 [1.5] THK. PVC 105°C INSUL.

GROUND LEAD: NO. 18 GA., .03 [.8] THK. (GREEN) INSUL.

NOTE:
 1. DISTRIBUTION: CUST. P/N: RAL1056
 GRAINGER: CUST. P/N: 4MA77
 2. 615059-001 PESILENT MOUNTING KIT TO BE PACKED WITH MOTOR

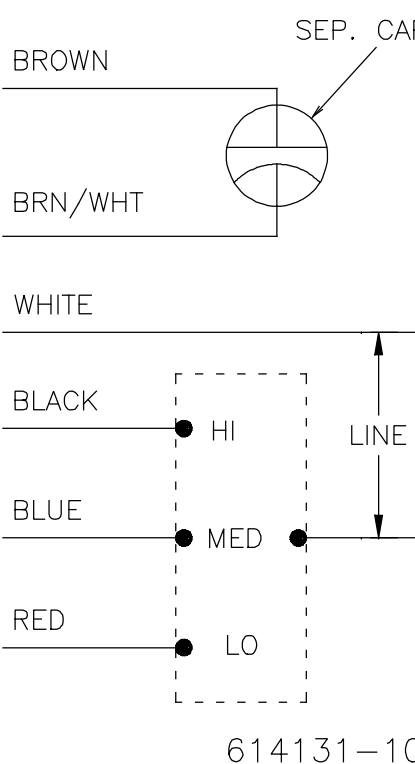
SEE NOTE 1



NAMEPLATE DATA:

MODEL NO.: F48SQ6L35B1
 CUST. P/N: []
 HP: 1/2
 ROT.: CCWLE
 RPM: 1075/3 SPD
 TYPE: UF
 FRAME: 48Y
 VOLTS: 115
 PH: 1
 AMPS: 5.2(7.6 MAX)
 HZ: 60/50
 INS.: A
 AMB.: 40°C
 DUTY: AIR OVER
 CAP.: 10 MFD/370 V
 ENCL: SEMI-ENCL.
 UL LOGO
 CSA LOGO
 THERMALLY PROTECTED

EXTERNAL CONNECTION DIAGRAM



GREEN(GRD)	29.0/31.0 [737/787]	#10 EYELET
BROWN/WHITE	35.0/37.0 [889/940]	.25 [6.4] FLAG
BROWN	35.0/37.0 [889/940]	.25 [6.4] FLAG
WHITE	35.0/37.0 [889/940]	.60 [15.2] SKIN
BLACK	35.0/37.0 [889/940]	.60 [15.2] SKIN
BLUE	35.0/37.0 [889/940]	.60 [15.2] SKIN
RED	35.0/37.0 [889/940]	.60 [15.2] SKIN
COLOR	LENGTH	TERMINAL OR STRIP LENGTH

PERFORMANCE CURVE NO.	TORQUE @ 1075 RPM (25°C)	APPROVED SAMPLE	UL COMPONENT	CSA
C23733	45.0 OZ. FT.	EX11256-1	FILE # CCN #	FILE # CLASS #
			E46412 PRGY2	LR43341 4211-01

MAIN FRAME - OLE	SEMI-ENCLOSED
END FRAME - OLE	OPEN
MAIN FRAME - LE	SEMI-ENCLOSED
END FRAME - LE	OPEN

CUSTOMER	DISTRIBUTION SERVICE
----------	----------------------

DRAWING REVISION	REVISION BY	DATE
F	J. RUPERT	12-11-2018
ECO	APPROVED BY	DATE
ECO-0158255	J. RUPERT	12-11-2018

ECO DESCRIPTION
 CHANGED TO MODEL NUMBER

COPYRIGHT REGAL BELOIT AMERICA, INC. ALL RIGHTS RESERVED. PROPRIETARY AND CONFIDENTIAL INFORMATION - THIS DOCUMENT IS THE PROPERTY OF REGAL BELOIT AMERICA, INC. (OWNER) AND CONTAINS OWNER'S PROPRIETARY INFORMATION. ANY PERSON, CORPORATION OR OTHER FIRM RECEIVING IT IS DEEMED, BY RECEIVING IT, TO AGREE THAT IT, AND/OR ANY PART OF IT, SHALL NOT BE DISCLOSED TO ANY PERSON, CORPORATION OR OTHER ENTITY, DUPLICATED, AND/OR USED, EXCEPT AS EXPRESSLY APPROVED IN WRITING IN ADVANCE BY OWNER. THIS DOCUMENT SHALL BE RETURNED TO OWNER UPON REQUEST. IT MAY BE SUBJECT TO CERTAIN RESTRICTIONS UNDER APPLICABLE EXPORT CONTROL LAWS AND REGULATIONS.

DRAWN BY:	ANDERSON
DATE:	05-12-1995
APPROVED BY:	T.RILEY
DATE:	05-17-2014
PROCESS/FINISH	
THIRD ANGLE PROJECTION	

REGAL™ Regal Beloit America, Inc.	
DESCRIPTION	MODEL-RFHP-48FR OUTLINE
MATERIAL	
SIZE	DWG NO
C	RAL1056
SHEET	1