

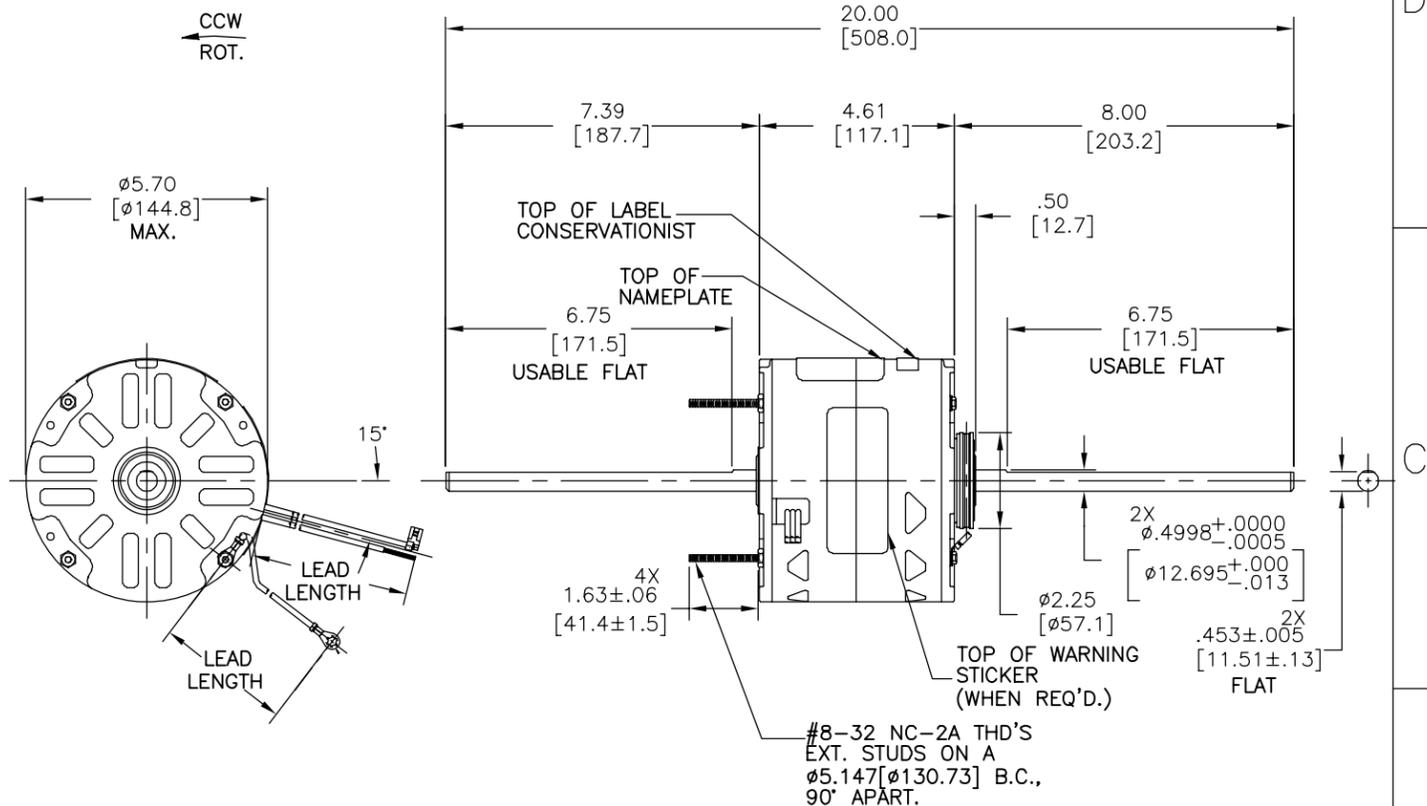
REV	ECO	REV BY	DATE	APPD	DATE
D	0025578	F.NAVARRO	05-03-2012	R.RASCON	05-03-2012

GENERAL INFORMATION:

SHAFT RUNOUT: .001 [.03]T.I.R. PER INCH LENGTH OF EXTENSION
 END PLAY: .010[.25] TO .063[1.60]
 BEARINGS: SLEEVE
 MOUNTING POSITION: HORIZONTAL

ELECTRICAL DATA:

OVERLOAD PROTECTOR: AUTOMATIC RESET
 (T.I. 7AM 032)
 LEADS: NO. 18 GA., .06 [1.5] THK. 105°C PVC INSUL.
 GROUND LEAD: NO. 18 GA., .03 [.8] THK. (GREEN) INSUL.



GREEN (GROUND)	29/31 [737/787]	#10 EYELET
BROWN/WHITE	35/37 [889/940]	.25 [6.4] FLAG
BROWN	35/37 [889/940]	.25 [6.4] FLAG
WHITE	35/37 [889/940]	.60[15.2] SKIN
BLACK	35/37 [889/940]	.60[15.2] SKIN
BLUE	35/37 [889/940]	.60[15.2] SKIN
RED	35/37 [889/940]	.60[15.2] SKIN
COLOR	LENGTH	TERMINAL OR STRIP LENGTH

- NOTE:
 1. 615059-001 RESILENT MOUNTING KIT TO BE PACKED WITH MOTOR
 2. DISTRIBUTION PART NUMBER: RAL1034
 GRAINGER PART NUMBER: 4MB13

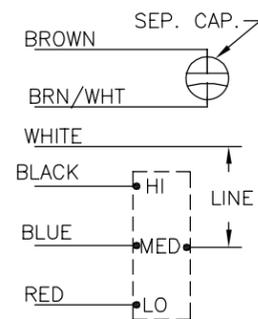
MAIN FR. - OLE	SEMI-ENCLOSED
END FR. - OLE	OPEN
MAIN FR. - LE	SEMI-ENCLOSED
END FR. - LE	OPEN

CUST.	DISTRIBUTION SERVICE
-------	----------------------

NAMEPLATE DATA:

MODEL NO.: F48SJ4L4B1
 CUST. P/N: []
 HP: 1/3
 ROT: CCWLE
 RPM: 1625/3 SPD.
 TYPE: UF
 FRAME: 48Y
 VOLTS: 115
 PH: 1
 AMPS: 4.0 (5.6 MAX.)
 HZ: 60/50
 INS: A
 AMB: 40C
 DUTY: AIR OVER
 CAP.: 5 MFD/370V
 ENCL: SEMI-ENCL.
 CSA LOGO
 UL LOGO
 THERMALLY PROTECTED

EXTERNAL CONNECTION DIAGRAM



614131-106

PERFORMANCE CURVE NO.	TORQUE @1625 RPM (25°C)	APPROVED SAMPLE	UL COMPONENT		CSA	
			FILE #	GUIDE #	FILE #	GUIDE #
C23764	26.0 OZ. FT.	EX11273-2	E46412	PRGY2	LR43341	260-Ø-0

- GEOMETRIC CHARACTERISTICS & SYMBOLS**
- FLATNESS
 - STRAIGHTNESS
 - ∠ ANGULARITY
 - ⊥ PERPENDICULARITY (SQUARENESS)
 - ∥ PARALLELISM
 - ROUNDNESS (CIRCULARITY)
 - ⊘ CYLINDRICITY
 - △ PROFILE OF ANY SURFACE
 - ∩ PROFILE OF ANY LINE
 - ↗ RUNOUT
 - ⊕ TRUE POSITION
 - ⊙ CONCENTRICITY
 - ≡ SYMMETRY
- ASME Y14.5M 1994

REGAL-BELOIT CORPORATION (RBC) PROVIDES TECHNICAL ASSISTANCE TO OUR CUSTOMERS IN SEVERAL AREAS. SINCE RBC DOES NOT RECEIVE ALL DATA CONCERNING THE USE AND APPLICATION OF THE MOTOR, THE SUITABILITY OF THE MOTOR FOR THE APPLICATION MUST BE DETERMINED BY THE CUSTOMER.

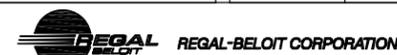
DIMENSIONS WITHOUT TOLERANCES ARE FOR REFERENCE ONLY.

DR BY: J.RUPERT 10-27-1994

APPD: T.RILE 10-31-1994

THIRD ANGLE PROJECTION EDS DATE 11-11-2011
 FORMAT REV G

CONFIDENTIAL: THIS DRAWING AND ITS INFORMATION ARE THE EXCLUSIVE AND CONFIDENTIAL PROPERTY OF REGAL-BELOIT CORPORATION AND ARE NOT TO BE DISCLOSED, DUPLICATED, DISTRIBUTED OR OTHERWISE USED WITHOUT THE WRITTEN CONSENT OF REGAL-BELOIT CORPORATION. -ALL RIGHTS RESERVED.



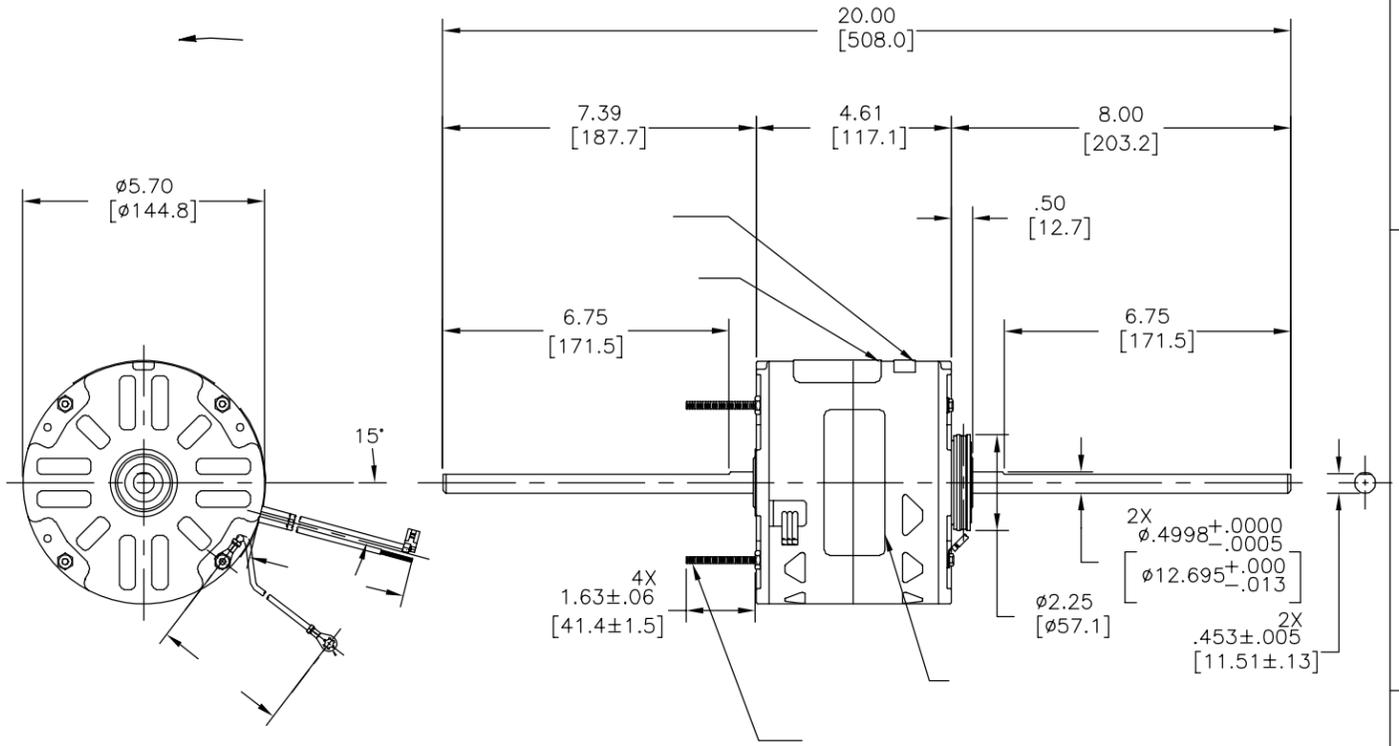
DESCRIPTION
 MODEL-RFHP-48FR
 OUTLINE

SIZE C DWG NO 11773-018
 SCALE NONE SHEET 1

REVISION:	ECO	REVISADO POR:	FECHA:	APROBADO POR:	FECHA:
D	0025578	F.NAVARRO	05-03-2012	R.RASCON	05-03-2012

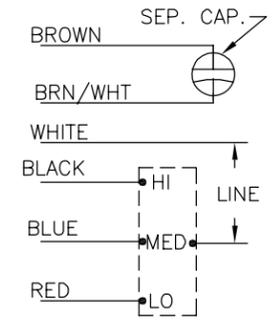
.001 [.03]

(T.I. 7AM 032)



SEE NOTE 2

MODEL NO.: F48SJ4L4B1
 CUST. P/N: []
 HP: 1/3
 ROT: CCWLE
 RPM: 1625/3 SPD.
 TYPE: UF
 FRAME: 48Y
 VOLTS: 115
 PH: 1
 AMPS: 4.0 (5.6 MAX.)
 HZ: 60/50
 INS: A
 AMB: 40C
 DUTY: AIR OVER
 CAP.: 5 MFD/370V
 ENCL: SEMI-ENCL.
 CSA LOGO
 UL LOGO
 THERMALLY PROTECTED



614131-106

	29/31	
	[737/787]	
	35/37	.25 [6.4]
	[889/940]	
	35/37	.25 [6.4]
	[889/940]	
	35/37	.60 [15.2]
	[889/940]	
	35/37	.60 [15.2]
	[889/940]	
	35/37	.60 [15.2]
	[889/940]	

	(25°C)					
C23764	26.0 OZ. FT.	EX11273-2	E46412	PRGY2	LR43341	260-ø-0

CUST.	DISTRIBUTION SERVICE
-------	----------------------

CARACTERISTICAS DE GEOMETRIA Y SIMBOLOS
 ▽ PLANICIDAD
 — RECTITUD
 < ANGULARIDAD
 ⊥ PERPENDICULARIDAD (A ESQUADRA)
 ∥ PARALELISMO
 ○ REDONDEZ (CIRCULARIDAD)
 ∅ CILINDRICIDAD
 △ PERFIL DE CUALQUIER SUPERFICIE
 ∩ PERFIL DE CUALQUIER LINEA
 ↑ VARIACION
 ⊕ POSICION REAL
 ⊙ CONCENTRICIDAD
 ≡ SIMETRIA

REGAL-BELOIT CORPORATION (RBC) PROVEE ASISTENCIA TECNICA A NUESTROS CLIENTES EN VARIAS AREAS. DESDE QUE RBC NO RECIBE TODOS LOS DATOS EN RELACION AL USO Y A LA APLICACION DEL MOTOR, LA APLICACION ADECUADA DEL MOTOR DEBE SER DETERMINADA POR EL CLIENTE.
 DIMENSIONES SIN TOLERANCIA SON DE REFERENCIA SOLAMENTE

DIBUJADO POR: J.RUPERT
 APROBADO POR: T.RILE
 TERCER ANGULO DE PROYECCION
 10-27-1994
 10-31-1994
 FECHA EDS: 11-11-2011
 REV. FORMATO: G
 CONFIDENCIAL: ESTE DIBUJO Y SU INFORMACION SON PROPIEDAD DE USO EXCLUSIVO Y CONFIDENCIAL DE REGAL-BELOIT CORPORATION, Y NO DEBERAN SER REVELADOS, DUPLICADOS, DISTRIBUIDOS O USARSE DE OTRA MANERA SIN EL CONSENTIMIENTO ESCRITO DE REGAL-BELOIT CORPORATION. -TODOS LOS DERECHOS RESERVADOS.



DESCRIPCION: MODEL-RFHP-48FR OUTLINE
 TAMAÑO: C NUMERO DE DIBUJO: 11773-018
 ESCALA: NONE HOJA: 1

