

GENERAL INFORMATION:

SHAFT RUNOUT: .001 [.025] T.I.R. PER INCH LENGTH OF

END PLAY: .010 [.254] TO .063 [1.600]

BEARINGS: SLEEVE

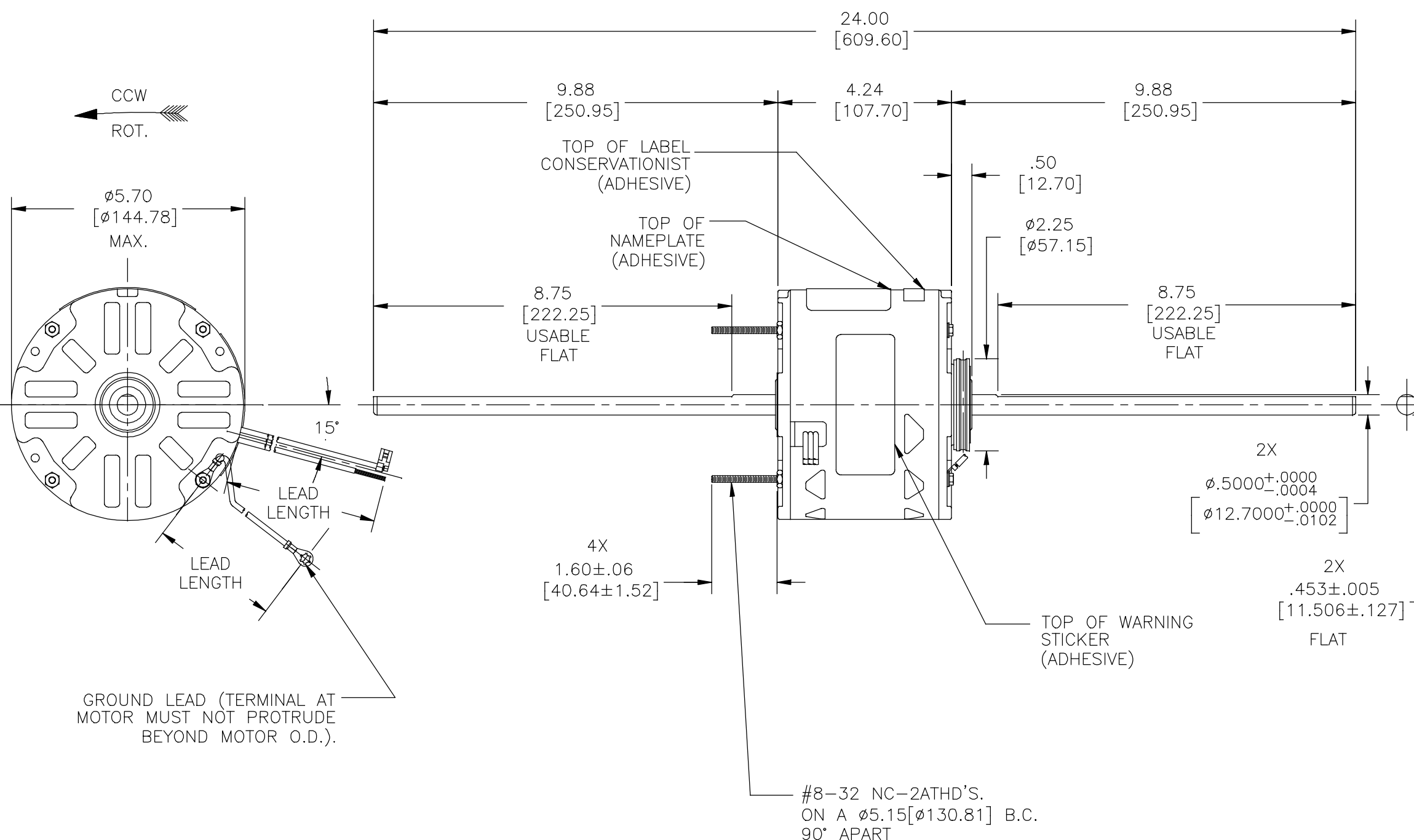
MOUNTING POSITION: HORIZONTAL

ELECTRICAL DATA:

OVERLOAD PROTECTOR: AUTOMATIC RESET (SENSATA 7AM 032)

LEADS: NO. 18 GA., .06 [1.52] THK., 105°C INSUL.

GROUND LEAD: NO. 18 GA., .03 [.76] THK. GREEN INSUL.



NOTE:
615059-001 RESILIENT MOUNTING KIT TO BE PACKED WITH MOTOR.

COLOR	LENGTH	TERMINAL OR STRIP LENGTH
GREEN (GRD)	37/39 [940/991]	#10 EYELET
BROWN/WHITE	35/37 [889/940]	.25 [6.35] FLAG
BROWN	35/37 [889/940]	.25 [6.35] FLAG
WHITE	35/37 [889/940]	.60 [15.24] SKIN
BLACK	35/37 [889/940]	.60 [15.24] SKIN
BLUE	35/37 [889/940]	.60 [15.24] SKIN
RED	35/37 [889/940]	.60 [15.24] SKIN

REGAL-BELOIT CORPORATION (RBC) PROVIDES TECHNICAL ASSISTANCE TO OUR CUSTOMERS IN SEVERAL AREAS. SINCE RBC DOES NOT RECEIVE ALL DATA CONCERNING THE USE AND APPLICATION OF THE MOTOR, THE SUITABILITY OF THE MOTOR FOR THE APPLICATION MUST BE DETERMINED BY THE CUSTOMER.

DIMENSIONS WITHOUT TOLERANCES ARE FOR REFERENCE ONLY.

MAIN FRAME - OLE	SEMI-ENCL
END FRAME - OLE	OPEN
MAIN FRAME - LE	SEMI-ENCL
END FRAME - LE	OPEN

CUSTOMER	DISTRIBUTION SERVICE
----------	----------------------

NAMEPLATE DATA:	EXTERNAL CONNECTION DIAGRAM
MODEL NO.: F48AH17A01 CUST. P/N: RAL1026A HP: 1/4 ROT.: CCWLE RPM: 1075/3 SPD TYPE: UF FRAME: 48Y VOLTS: 115 PH: 1 AMPS: 5.0 HZ: 60 INS.: A AMB.: 40° C DUTY: AIR OVER CAP.: 5 MFD/370V ENCL: SEMI ENCL UL LOGO CSA LOGO THERMALLY PROTECTED	

614131-106

PERFORMANCE CURVE NO.	TORQUE @ 1075 RPM (25°C)	APPROVED SAMPLE	UL COMPONENT		CSA	
			FILE #	CCN #	FILE #	CLASS #
C23749	25.0 OZ. FT.	EX11277-2	E46412	PRGY2	LR43341	4211-01

DRAWING REVISION	REVISION BY	DATE
C	J. RUPERT	03-15-2019
ECO	APPROVED BY	DATE
ECO-0163714	J. RUPERT	03-15-2019

ECO DESCRIPTION
CHANGED THRU BOLT EXTENSION FROM 1.63

COPYRIGHT REGAL-BELOIT AMERICA, INC. ALL RIGHTS RESERVED. PROPRIETARY AND CONFIDENTIAL INFORMATION - THIS DOCUMENT IS THE PROPERTY OF REGAL-BELOIT AMERICA, INC. (OWNER) AND CONTAINS OWNER'S PROPRIETARY INFORMATION. ANY PERSON, CORPORATION OR OTHER FIRM RECEIVING IT IS DEEMED, BY RECEIVING IT, TO AGREE THAT IT, AND/OR ANY PART OF IT, SHALL NOT BE DISCLOSED TO ANY PERSON, CORPORATION OR OTHER ENTITY, DUPLICATED, AND/OR USED, EXCEPT AS EXPRESSLY APPROVED IN WRITING IN ADVANCE BY OWNER. THIS DOCUMENT SHALL BE RETURNED TO OWNER UPON REQUEST. IT MAY BE SUBJECT TO CERTAIN RESTRICTIONS UNDER APPLICABLE EXPORT CONTROL LAWS AND REGULATIONS.

DRAWN BY: C.ZHOU DATE: 12-17-2015 APPROVED BY: D.U. DATE: 12-17-2015 REFERENCE	Regal Beloit America, Inc. DESCRIPTION MODEL-RFHP-48FR OUTLINE MATERIAL - PROCESS/FINISH - SIZE DWG NO C RAL1026A SHEET 1
--	--