

GENERAL INFORMATION:

SHAFT RUNOUT: .001 [.03] T.I.R. PER INCH LENGTH OF EXTENSION

END PLAY: .010 TO .063 [.25 TO 1.60]

BEARINGS: SLEEVE

MOUNTING POSITION: HORIZONTAL

ELECTRICAL DATA:

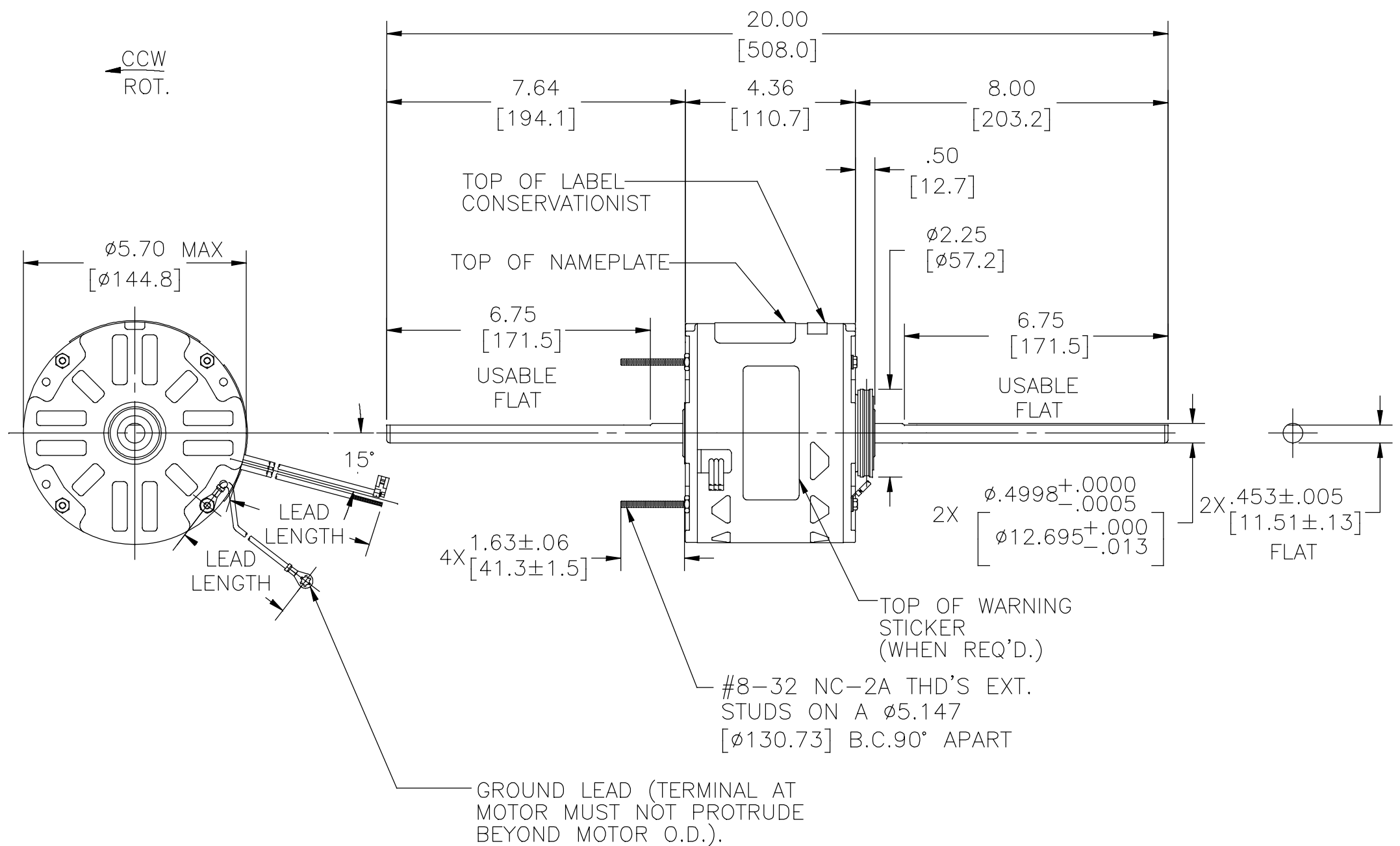
OVERLOAD PROTECTOR: AUTOMATIC RESET (T.I. 7AM 032)

LEADS: NO. 18 GA., .06 [1.5] THK. 105°C PVC INSUL.

GROUND LEAD: NO. 18 GA., .03 [.8] THK. (GREEN) INSUL.

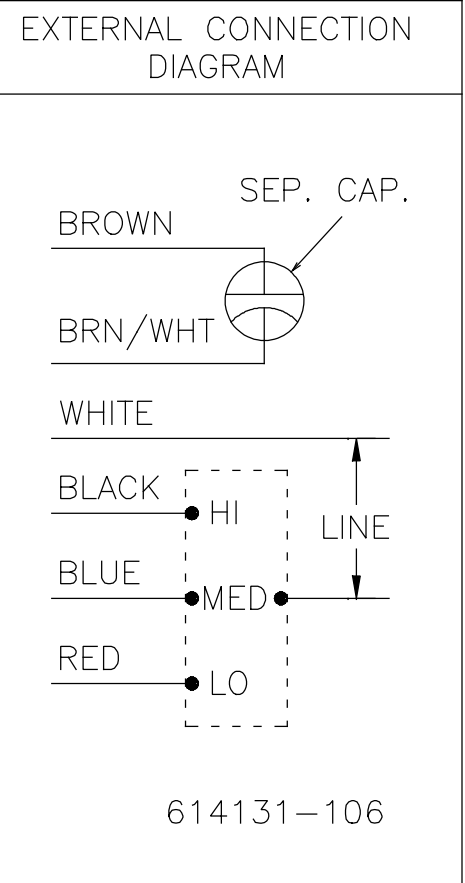
NOTES:
1. DISTRIBUTION: CUST. P/N: RAL1024
GRAINGER: CUST. P/N: 4MA99

SEE NOTE 1



NOTE:
1.615059-001 RESILENT MOUNTING KIT
TO BE PACKED WITH MOTOR

NAMEPLATE DATA:
MODEL NO.: F48SG4L6B1
CUST. P/N: []
HP: 1/4
ROT.: CCWLE
RPM: 1625/3 SPD
TYPE: UF
FRAME: 48Y
VOLTS: 115
PH: 1
AMPS: 3.4(5.0 MAX)
HZ: 60
INS.: A
AMB.: 40°C
DUTY: AIR OVER
CAP.: 5 MFD/370 V
ENCL: SEMI-ENCL
CSA LOGO
UL LOGO
THERMALLY PROTECTED



| | | |
|-------------|------------------------|--------------------------|
| GREEN(GRD) | 29.0/31.0 [737/787] | #10 EYELET |
| BROWN/WHITE | 35.0/37.0 [889/940] | .25 [6.4] FLAG |
| BROWN | 35.0/37.0 [889/940] | .25 [6.4] FLAG |
| WHITE | 35.0/37.0 [889/940] | .60 [15.2] SKIN |
| BLACK | 35.0/37.0 [889/940] | .60 [15.2] SKIN |
| BLUE | 35.0/37.0 [889/940] | .60 [15.2] SKIN |
| RED | 35.0/37.0 [889/940] | .60 [15.2] SKIN |
| COLOR | LENGTH | TERMINAL OR STRIP LENGTH |

REGAL-BELOIT CORPORATION (RBC) PROVIDES TECHNICAL ASSISTANCE TO OUR CUSTOMERS IN SEVERAL AREAS. SINCE RBC DOES NOT RECEIVE ALL DATA CONCERNING THE USE AND APPLICATION OF THE MOTOR, THE SUITABILITY OF THE MOTOR FOR THE APPLICATION MUST BE DETERMINED BY THE CUSTOMER.

DIMENSIONS WITHOUT TOLERANCES ARE FOR REFERENCE ONLY.

| | |
|------------------|---------------|
| MAIN FRAME - OLE | SEMI-ENCLOSED |
| END FRAME - OLE | OPEN |
| MAIN FRAME - LE | SEMI-ENCLOSED |
| END FRAME - LE | OPEN |

CUSTOMER DISTRIBUTION SERVICE

| | | | | |
|-----------------------|--------------------------|-----------------|---------------------|------------|
| PERFORMANCE CURVE NO. | TORQUE @ 1625 RPM (25°C) | APPROVED SAMPLE | UL COMPONENT FILE # | CSA GUIDE# |
| C23744 | 18.5 OZ. FT. | EX11272-1 | E46412 | PRGY2 |
| | | | LR43341 | 260-Ø-0 |

| | | |
|------------------|-------------|------------|
| DRAWING REVISION | REVISION BY | DATE |
| F | JERRY CHAI | 08-14-2018 |
| ECO | JERRY CHAI | 08-14-2018 |
| ECO-0150517 | | |
| ECO DESCRIPTION | | |
| SEE ECO | | |

COPYRIGHT REGAL-BELOIT AMERICA, INC. ALL RIGHTS RESERVED. PROPRIETARY AND CONFIDENTIAL INFORMATION - THIS DOCUMENT IS THE PROPERTY OF REGAL-BELOIT AMERICA, INC. (OWNER) AND CONTAINS OWNER'S PROPRIETARY INFORMATION. ANY PERSON, CORPORATION OR OTHER FIRM RECEIVING IT IS DEEMED, BY RECEIVING IT, TO AGREE THAT IT, AND/OR ANY PART OF IT, SHALL NOT BE DISCLOSED TO ANY PERSON, CORPORATION OR OTHER ENTITY, DUPLICATED, AND/OR USED, EXCEPT AS EXPRESSLY APPROVED IN WRITING IN ADVANCE BY OWNER. THIS DOCUMENT SHALL BE RETURNED TO OWNER UPON REQUEST. IT MAY BE SUBJECT TO CERTAIN RESTRICTIONS UNDER APPLICABLE EXPORT CONTROL LAWS AND REGULATIONS.

DRAWN BY: ANDERSON
DATE: 01-25-1993
APPROVED BY: T.RILEY
DATE: 08-23-1994
REFERENCE

THIRD ANGLE PROJECTION

REGAL™ Regal Beloit America, Inc.

DESCRIPTION: OUTLINE MOTOR

MATERIAL: [] PROCESS/FINISH: []

SIZE: C DWG NO: 11773-016 SHEET: 1