

GENERAL INFORMATION:

SHAFT RUNOUT: .001 [.025] T.I.R. PER INCH LENGTH OF EXTENSION

END PLAY: .010 [.25] TO .063 [1.60]

BEARINGS: SLEEVE

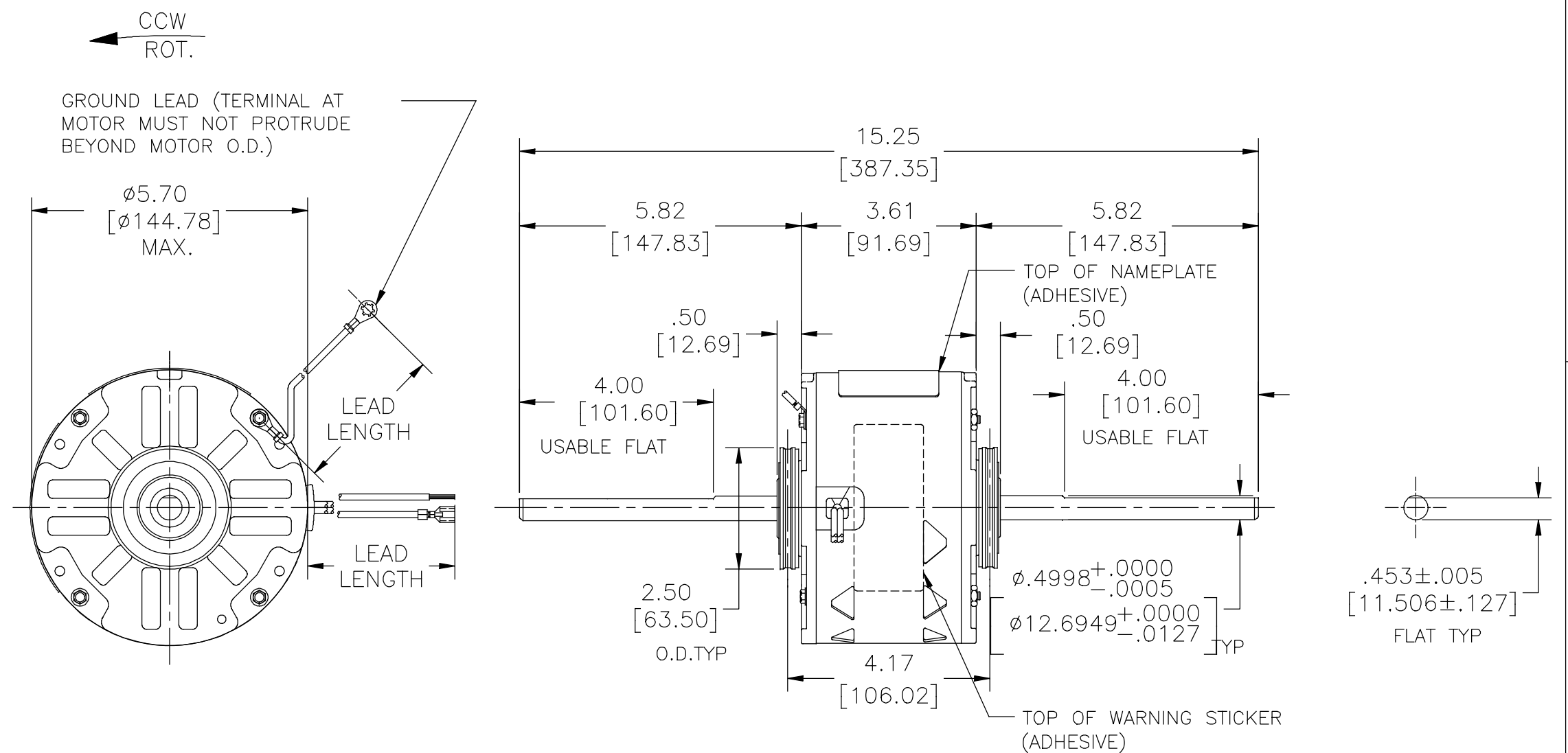
MOUNTING POSITION: HORIZONTAL

ELECTRICAL DATA:

OVERLOAD PROTECTOR: AUTOMATIC RESET (SENSATA 7AM 036)

LINE LEADS: NO. 18 GA., .06 [1.52] THK., PVC 105°C INSUL.

GROUND LEAD: NO. 18 GA., .03 [.76] THK., (GREEN/YELLOW) INSUL.



NOTES:
1. DISTRIBUTION PART NUMBER: RAL10156
GRAINGER PART NUMBER: 4UB73

REGAL-BELOIT CORPORATION (RBC) PROVIDES TECHNICAL ASSISTANCE TO OUR CUSTOMERS IN SEVERAL AREAS. SINCE RBC DOES NOT RECEIVE ALL DATA CONCERNING THE USE AND APPLICATION OF THE MOTOR, THE SUITABILITY OF THE MOTOR FOR THE APPLICATION MUST BE DETERMINED BY THE CUSTOMER.

DIMENSIONS WITHOUT TOLERANCES ARE FOR REFERENCE ONLY.

MAIN FRAME - OLE	OPEN-BOTTOM HALF
END FRAME - OLE	OPEN
MAIN FRAME - LE	OPEN-BOTTOM HALF
END FRAME - LE	OPEN

CUSTOMER _____ DISTRIBUTION SERVICES _____

SEE NOTE 1

NAMEPLATE DATA:	EXTERNAL CONNECTION DIAGRAM
MODEL NO.: F48V04A01 CUST. P/N: _____ HP: 1/15 ROT.: CCWLE RPM: 1075/3 SPD TYPE: UF FRAME: 48Y VOLTS: 115 PH: 1 AMPS: 0.63 HZ: 60 INS.: B AMB.: 40°C DUTY: AIR OVER CODE: - CAP.: 3-5 MFD/370 V ENCL: SEMI-ENCLOSED CSA LOGO UL LOGO THERMALLY PROTECTED	CONNECTION DIAGRAM SEP. CAP.

614131-229

COLOR	LENGTH	TERMINAL OR STRIP LENGTH
GREEN/YELLOW (GRD)	10.0/12.0 [254/305]	#10 EYELET
BROWN/WHITE	24.0/26.0 [610/660]	.25 [6.4] FEMALE SPADE
BROWN	24.0/26.0 [610/660]	.25 [6.4] FEMALE SPADE
PURPLE	24.0/26.0 [610/660]	.50 [12.7] STRIP
BLACK	24.0/26.0 [610/660]	.50 [12.7] STRIP
BLUE	24.0/26.0 [610/660]	.50 [12.7] STRIP
RED	24.0/26.0 [610/660]	.50 [12.7] STRIP

PERFORMANCE CURVE NO.	TORQUE @ 1170 RPM (25°C)	APPROVED SAMPLE	UL COMPONENT		CSA	
			FILE#	GUIDE#	FILE#	GUIDE#
C32284	3.06 OZ. FT.	0442581B	E46412	PRGY2	LR43341	260-φ-0

DRAWING REVISION	REVISION BY	DATE
H	J. RUPERT	08-20-2018
ECO	APPROVED BY	DATE
ECO-0151058	J. RUPERT	08-20-2018
ECO DESCRIPTION		
CHANGED GROUND LEAD COLOR		

COPYRIGHT REGAL BELOIT AMERICA, INC. ALL RIGHTS RESERVED. PROPRIETARY AND CONFIDENTIAL INFORMATION - THIS DOCUMENT IS THE PROPERTY OF REGAL BELOIT AMERICA, INC. (OWNER) AND CONTAINS OWNER'S PROPRIETARY INFORMATION. ANY PERSON, CORPORATION OR OTHER FIRM RECEIVING IT IS DEEMED, BY RECEIVING IT, TO AGREE THAT IT, AND/OR ANY PART OF IT, SHALL NOT BE DISCLOSED TO ANY PERSON, CORPORATION OR OTHER ENTITY, DUPLICATED, AND/OR USED, EXCEPT AS EXPRESSLY APPROVED IN WRITING IN ADVANCE BY OWNER. THIS DOCUMENT SHALL BE RETURNED TO OWNER UPON REQUEST. IT MAY BE SUBJECT TO CERTAIN RESTRICTIONS UNDER APPLICABLE EXPORT CONTROL LAWS AND REGULATIONS.

DRAWN BY: MCNAMEE	Regal Beloit America, Inc.
DATE: 04-27-1992	
APPROVED BY: PIATT	DESCRIPTION
DATE: 08-11-2004	MODEL-RFHP-48FR
PROCESS/FINISH	OUTLINE
THIRD ANGLE PROJECTION	MATERIAL
SIZE DWG NO	RAL10156
SHEET	1