

REV	ECO	REV BY	DATE	APPD	DATE
D	0025578	F.NAVARRO	05-03-2012	R.RASCON	05-03-2012

**GENERAL INFORMATION:**

SHAFT RUNOUT: .001 [.03] T.I.R. PER INCH LENGTH OF EXTENSION

END PLAY: .010[.25] TO .063[1.60]

BEARINGS: SLEEVE

MOUNTING POSITION: HORIZONTAL

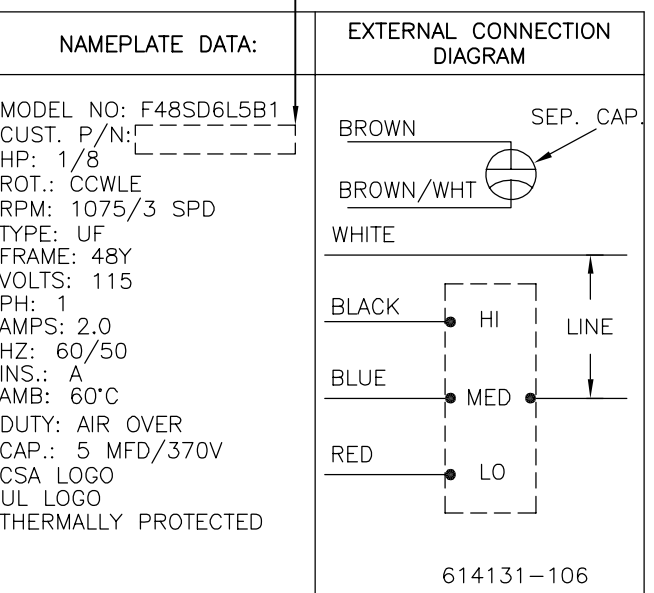
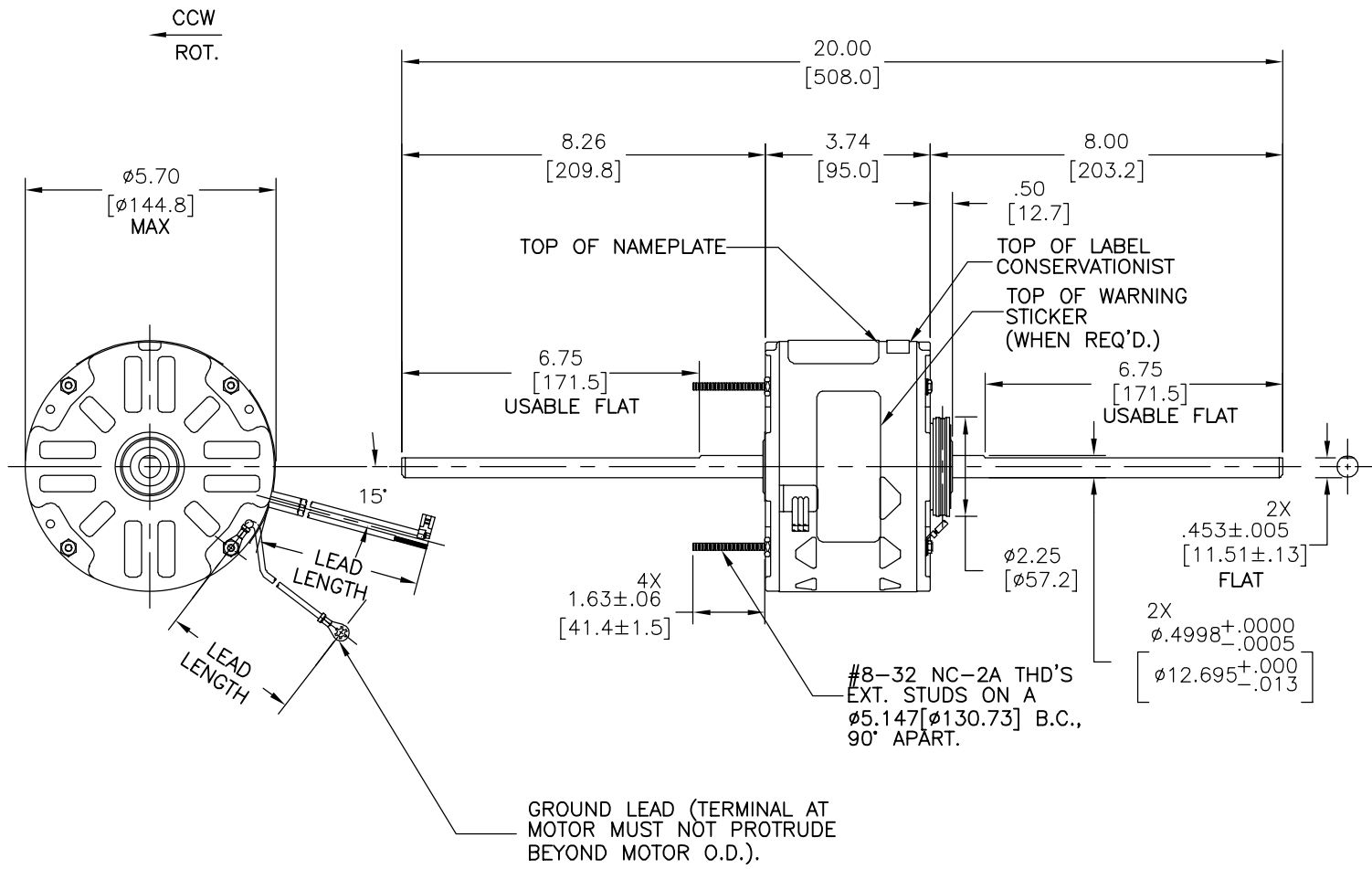
**ELECTRICAL DATA:**

OVERLOAD PROTECTOR: AUTOMATIC RESET (T.I. 7AM 032)

LEADS: NO. 18 GA., .06 [1.5] THK., PVC 105°C INSUL.

GROUND LEAD: NO. 18 GA., .03 [.8] THK., (GREEN) INSUL.

NOTE:  
 1. 615059-001 RESILENT MOUNTING KIT TO BE PACKED WITH MOTOR  
 2. DISTRIBUTION: CUST. P/N: RAL1006 GRAINGER: CUST. P/N: 4MA51



GREEN(GRD)	29/31 [737/787]	#10 EYELET
BROWN/WHITE	35/37 [889/940]	.25[6.4] FLAG
BROWN	35/37 [889/940]	.25[6.4] FLAG
WHITE	35/37 [889/940]	.60[15.2] SKIN
BLACK	35/37 [889/940]	.60[15.2] SKIN
BLUE	35/37 [889/940]	.60[15.2] SKIN
RED	35/37 [889/940]	.60[15.2] SKIN
COLOR	LENGTH	TERMINAL OR STRIP LENGTH

PERFORMANCE CURVE NO.	TORQUE @ 1100 RPM (25°C)	APPROVED SAMPLE	UL COMPONENT FILE #	GUIDE #	CSA FILE #	GUIDE #
C23652	10.0 OZ. FT.	EX11278	E46412	PRGY2	LR43341	260-0-0

MAIN FR. - OLE	SEMI-ENCLOSED
END FR. - OLE	OPEN
MAIN FR. - LE	SEMI-ENCLOSED
END FR. - LE	OPEN

CUST	DISTRIBUTION SERVICES
------	-----------------------

**GEOMETRIC CHARACTERISTICS & SYMBOLS**

∟ FLATNESS  
 - STRAIGHTNESS  
 ∠ ANGULARITY  
 ⊥ PERPENDICULARITY (SQUARENESS)  
 // PARALLELISM  
 ○ ROUNDNESS (CIRCULARITY)  
 ∅ CYLINDRICITY  
 △ PROFILE OF ANY SURFACE  
 ∩ PROFILE OF ANY LINE  
 ↑ RUNOUT  
 ⊕ TRUE POSITION  
 ⊙ CONCENTRICITY  
 ≡ SYMMETRY

ASME Y14.5M 1994

REGAL-BELOIT CORPORATION (RBC) PROVIDES TECHNICAL ASSISTANCE TO OUR CUSTOMERS IN SEVERAL AREAS. SINCE RBC DOES NOT RECEIVE ALL DATA CONCERNING THE USE AND APPLICATION OF THE MOTOR, THE SUITABILITY OF THE MOTOR FOR THE APPLICATION MUST BE DETERMINED BY THE CUSTOMER.

DIMENSIONS WITHOUT TOLERANCES ARE FOR REFERENCE ONLY.

DR BY: HEINRICHS 08-09-1995  
 APPD: D.CORB 08-31-1995  
 THIRD ANGLE PROJECTION  
 EDS DATE 11-11-2011  
 FORMAT REV G

CONFIDENTIAL: THIS DRAWING AND ITS INFORMATION ARE THE EXCLUSIVE AND CONFIDENTIAL PROPERTY OF REGAL-BELOIT CORPORATION AND ARE NOT TO BE DISCLOSED, DUPLICATED, DISTRIBUTED OR OTHERWISE USED WITHOUT THE WRITTEN CONSENT OF REGAL-BELOIT CORPORATION. -ALL RIGHTS RESERVED.

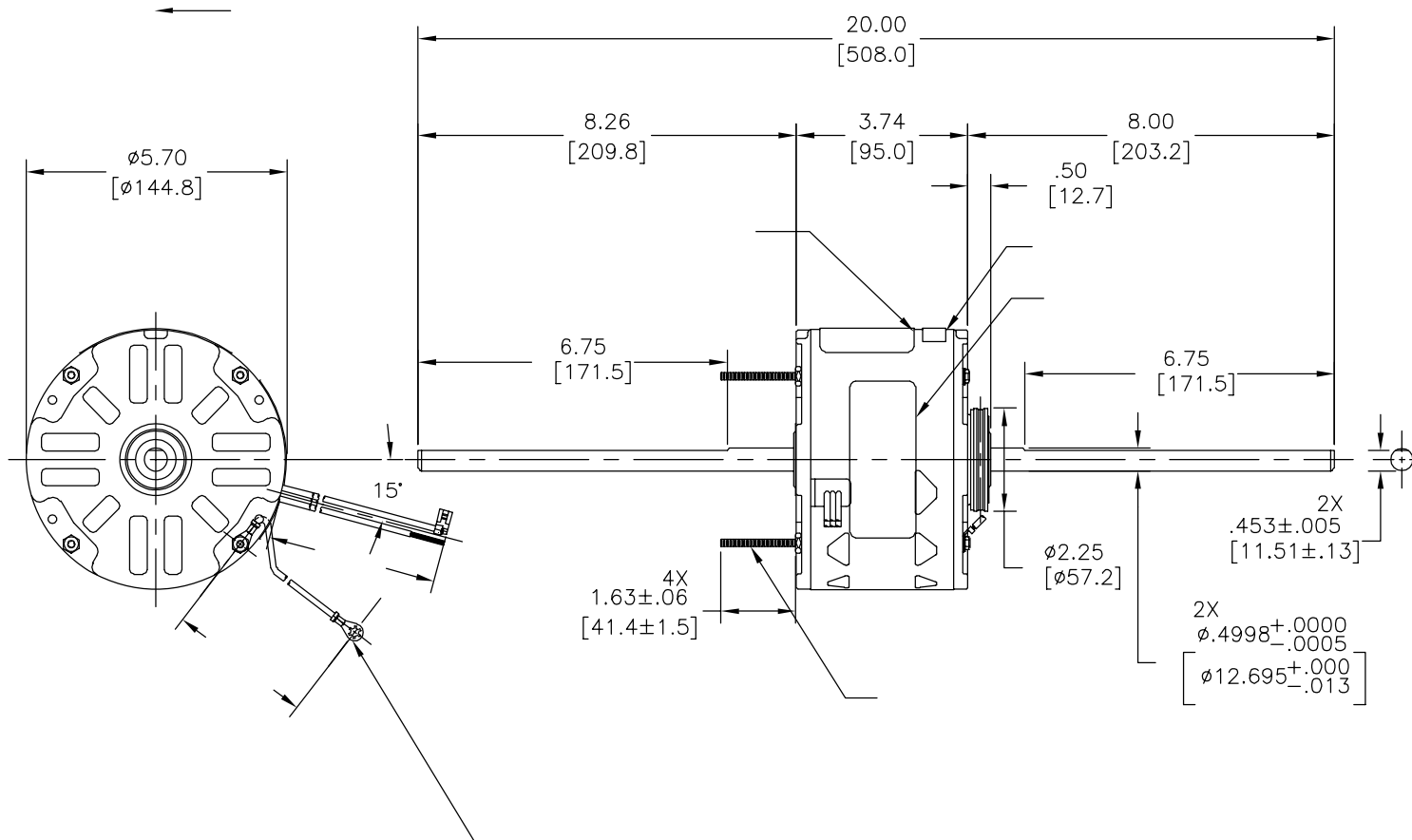
**REGAL-BELOIT CORPORATION**

DESCRIPTION: MODEL-RFHP-48FR OUTLINE

SIZE C DWG NO 11773-037

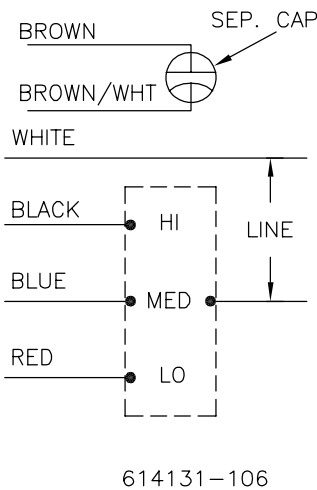
SCALE NONE SHEET 1

REVISION:	ECO	REVISADO POR:	FECHA:	APROBADO POR:	FECHA:
D	0025578	F.NAVARRO	05-03-2012	R.RASCON	05-03-2012



VER NOTA

MODEL NO: F48SD6L5B1  
 CUST. P/N: [ ]  
 HP: 1/8  
 ROT.: CCWLE  
 RPM: 1075/3 SPD  
 TYPE: UF  
 FRAME: 48Y  
 VOLTS: 115  
 PH: 1  
 AMPS: 2.0  
 HZ: 60/50  
 INS.: A  
 AMB: 60°C  
 DUTY: AIR OVER  
 CAP.: 5 MFD/370V  
 CSA LOGO  
 UL LOGO  
 THERMALLY PROTECTED



	29/31	
	[737/787]	
	35/37	.25[6.4]
	[889/940]	
	35/37	.25[6.4]
	[889/940]	
	35/37	.60[15.2]
	[889/940]	
	35/37	.60[15.2]
	[889/940]	
	35/37	.60[15.2]
	[889/940]	
	35/37	.60[15.2]
	[889/940]	

					CSA
C23652	10.0 OZ. FT.	EX11278	E46412	PRG2	LR43341260-0-0


DISTRIBUTION SERVICES

CARACTERISTICAS DE GEOMETRIA Y SIMBOLOS  
 / PLANICIDAD  
 - RECTITUD  
 < ANGULARIDAD  
 ⊥ PERPENDICULARIDAD (A ESCUADRA)  
 // PARALELISMO  
 ○ REDONDEZ (CIRCULARIDAD)  
 ∅ CILINDRICIDAD  
 △ PERFIL DE CUALQUIER SUPERFICIE  
 ∩ PERFIL DE CUALQUIER LINEA  
 / VARIACION  
 ⊕ POSICION REAL  
 ⊙ CONCENTRICIDAD  
 = SIMETRIA  
 ASME Y14.5M 1994

REGAL-BELOIT CORPORATION (RBC) PROVEE ASISTENCIA TECNICA A NUESTROS CLIENTES EN VARIAS AREAS. DESDE QUE RBC NO RECIBE TODOS LOS DATOS EN RELACION AL USO Y A LA APLICACION DEL MOTOR, LA APLICACION ADECUADA DEL MOTOR DEBE SER DETERMINADA POR EL CLIENTE.

DIMENSIONES SIN TOLERANCIA SON DE REFERENCIA SOLAMENTE

DIBUJADO POR: HEINRICHS 08-09-1995  
 APROBADO POR: D.CORB 08-31-1995  
 TERCER ANGULO DE PROYECCION  
 FECHA EDS: 11-11-2011  
 REV. FORMATO: G  
 CONFIDENCIAL: ESTE DIBUJO Y SU INFORMACION SON PROPIEDAD DE USO EXCLUSIVO Y CONFIDENCIAL DE REGAL-BELOIT CORPORATION. Y NO DEBERAN SER REVELADOS, DUPLICADOS, DISTRIBUIDOS O USARSE DE OTRA MANERA SIN EL CONSENTIMIENTO ESCRITO DE REGAL-BELOIT CORPORATION. -TODOS LOS DERECHOS RESERVADOS.

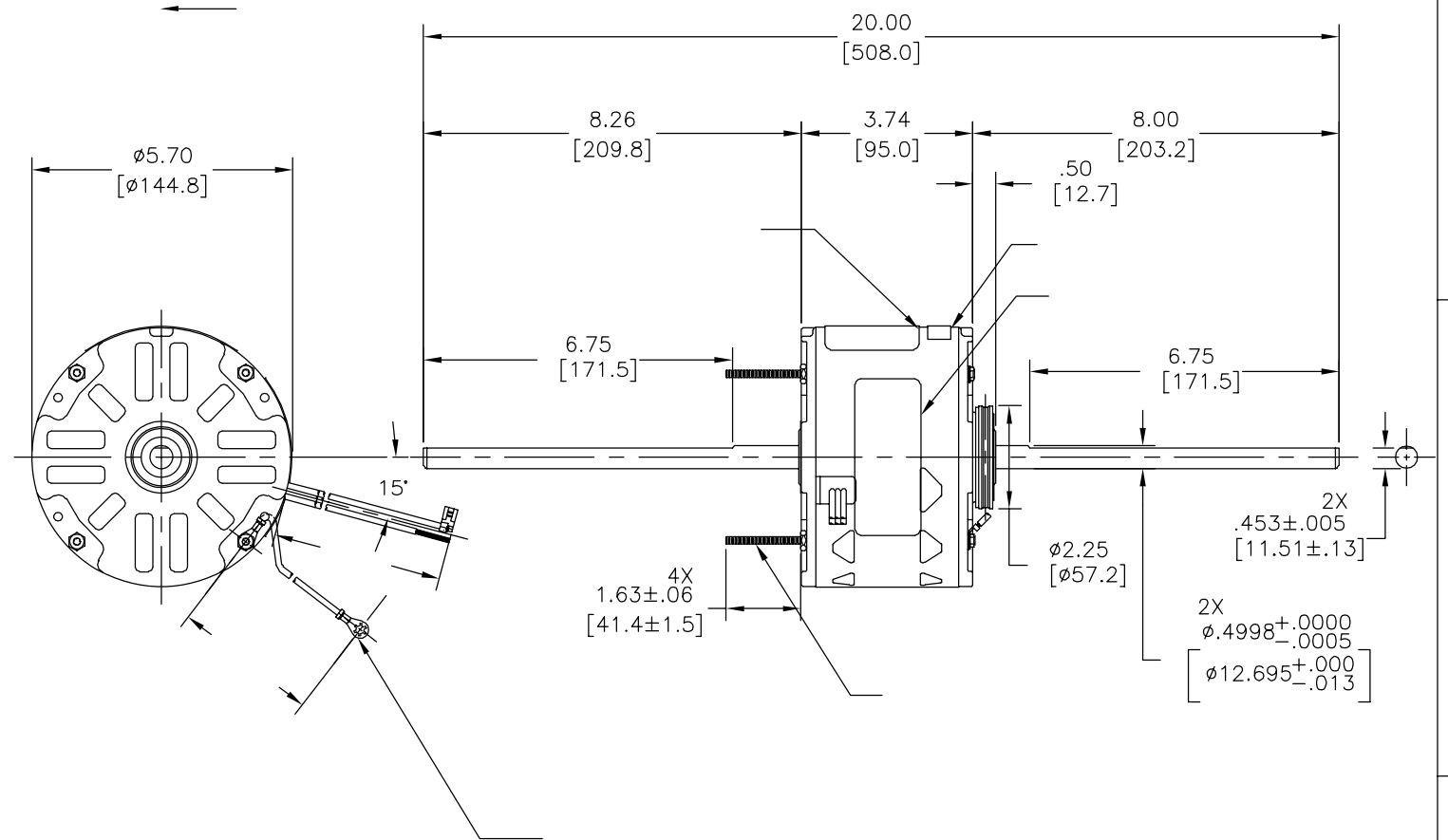


DESCRIPCION: MODEL-RFHP-48FR OUTLINE

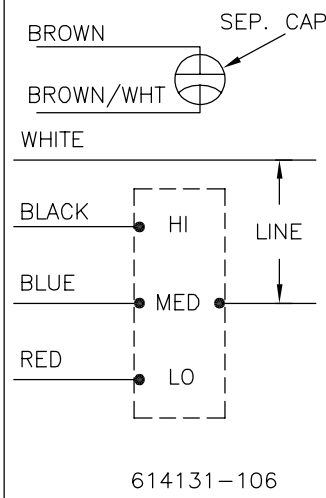
TAMAÑO: C NUMERO DE DIBUJO: 11773-037

ESCALA: NONE HOJA: 1

版本	ECO	编制	日期	批准	日期
D	0025578	F.NAVARRO	05-03-2012	R.RASCON	05-03-2012



MODEL NO: F48SD6L5B1  
 CUST. P/N: [ ]  
 HP: 1/8  
 ROT.: CCWLE  
 RPM: 1075/3 SPD  
 TYPE: UF  
 FRAME: 48Y  
 VOLTS: 115  
 PH: 1  
 AMPS: 2.0  
 HZ: 60/50  
 INS.: A  
 AMB: 60°C  
 DUTY: AIR OVER  
 CAP.: 5 MFD/370V  
 CSA LOGO  
 UL LOGO  
 THERMALLY PROTECTED



	29/31	[737/787]	
	35/37	[889/940]	.25[6.4]
	35/37	[889/940]	.25[6.4]
	35/37	[889/940]	.60[15.2]
	35/37	[889/940]	.60[15.2]
	35/37	[889/940]	.60[15.2]
	35/37	[889/940]	.60[15.2]

C23652	10.0 OZ. FT.	EX11278	E46412	PRGY2	LR43341	260-0-0	CSA
--------	--------------	---------	--------	-------	---------	---------	-----

形位公差	□ 平面度
	— 直线度
	∠ 倾斜度
	⊥ 垂直度
	∥ 平行度
	○ 圆度
	⊘ 圆柱度
	△ 面轮廓度
	⌒ 线轮廓度
	↻ 圆跳动
	⊕ 位置度
	⊙ 同轴度
	≡ 对称度

ASME Y14.5M 1994

REGAL-BELOIT CORPORATION (RBC) 在个别领域为客户提供技术支持。鉴于RBC未收到任何涉及电机使用和应用环境的数据，电机的适用性由客户自己决定。

未注公差尺寸仅供参考。

绘图:	HEINRICHS	08-09-1995
批准:	D.CORB	08-31-1995
第三角投影		图纸格式发布日期 11-11-2011 图纸格式版本 G
机密: 本图纸及相关信息所有权归REGAL-BELOIT CORPORATION。未经REGAL-BELOIT CORPORATION书面授权, 不得泄露、复制、传播或作其他用途。—版权所有		

名称	MODEL-RFHP-48FR OUTLINE
图幅	C
图号	11773-037
比例	NONE
页号	1

DISTRIBUTION SERVICES