

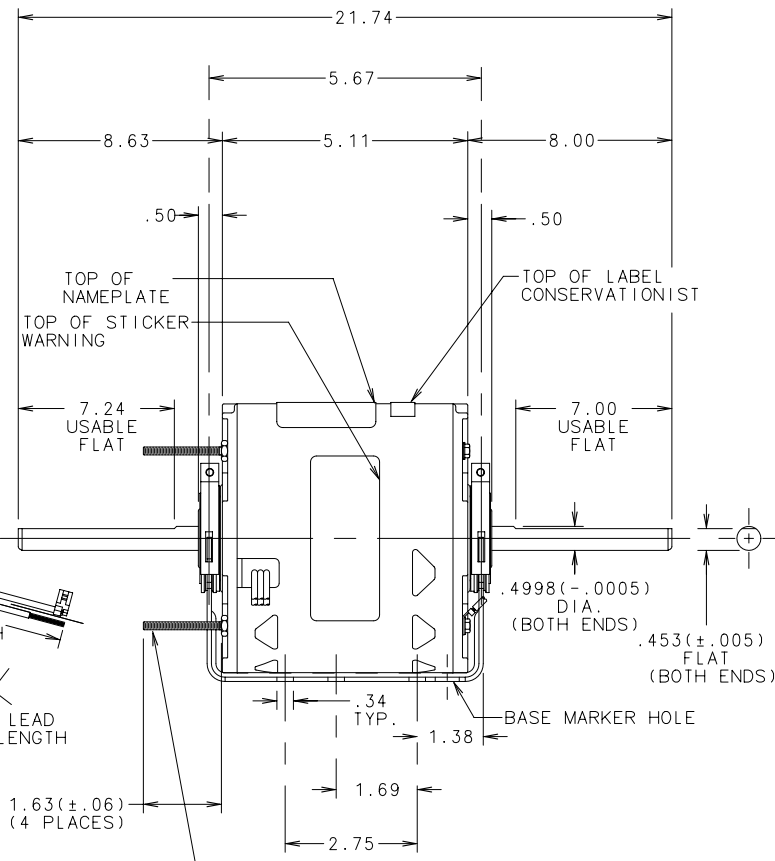
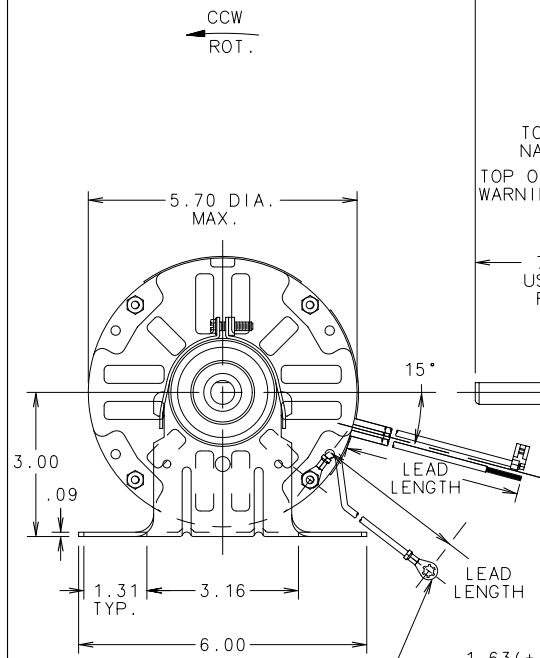
Uncontrolled Copy

GENERAL INFORMATION:

SHAFT RUNOUT: .001 T.I.R. PER INCH LENGTH OF EXTENSION.  
 END PLAY: .010 TO .063  
 BEARINGS: SLEEVE  
 MOUNTING POSITION: HORIZONTAL

ELECTRICAL DATA:

OVERLOAD PROTECTOR: AUTOMATIC RESET (T.I. 7AM 036)  
 LEADS: NO. 18 GA., .06 THK. 105°C PVC INSUL.  
 GROUND LEAD: NO. 18 GA., .03 THK., (GREEN) INSUL.



NAMEPLATE DATA:	EXTERNAL CONNECTION DIAGRAM
MODEL NO.: F48U66A01 CUST. P/N: RA1056WB HP: 1/2 ROT: CCWLE RPM: 1075/3 SPD. TYPE: UF FRAME: 48Y VOLTS: 208-230 PH: 1 AMPS: 2.7 (3.4 MAX.) HZ: 60 INS: B AMB: 60 °C DUTY: AIR OVER CAP.: 7.5 MFD/370 V ENCL: SEMI-ENCL. CSA LOGO UL LOGO THERMALLY PROTECTED	
614131-106	

GROUND LEAD (TERMINAL AT MOTOR MUST NOT PROTRUDE BEYOND MOTOR O.D.)

#8-32 NC-2A THD'S EXT. STUDS ON A 5.147 DIA. B.C., 90° APART

COLOR	LENGTH	TERMINAL OR STRIP LENGTH
GREEN (GRD)	29/31	#10 EYELET
BROWN	35/37	.25 FLAG
BROWN/WHITE	35/37	.25 FLAG
WHITE	35/37	.50 SKIN
BLACK	35/37	.50 SKIN
BLUE	35/37	.50 SKIN
RED	35/37	.50 SKIN

LEAD DATA	ENCLOSURE
MAIN FR.-OLE	SEMI-ENCL.
END FR.-OLE	OPEN
MAIN FR.-LE	SEMI-ENCL.
END FR.-LE	OPEN

CUST.	DIST. SVCS.
-------	-------------

PERFORMANCE CURVE NO.	TORQUE @1100 RPM (25°C)	APPROVED SAMPLE	UL COMPONENT FILE#	GUIDE#	CSA FILE#	GUIDE#
C23004	42.5 OZ. FT.	EX11257	E46412	PRGY2	LR43341	260-0-0

DATE	CHANGED FROM	APPROVED ENG DRF	NOTICE	DATE	CHANGED FROM	APPROVED ENG DRF	NOTICE
H				A	-	-	-
J				B			
K				C			
L				D			
M				E			
N				F			
P				G			

A.O. SMITH PROVIDES TECHNICAL ASSISTANCE TO OUR CUSTOMERS IN SEVERAL AREAS. SINCE A.O. SMITH DOES NOT RECEIVE ALL DATA CONCERNING THE USE AND APPLICATION OF THE MOTOR, THE SUITABILITY OF THE MOTOR FOR THE APPLICATION MUST BE DETERMINED BY THE CUSTOMER.

DIMENSIONS WITHOUT TOLERANCES ARE FOR REF. ONLY

MATERIAL -  
 PROCESS -

DRAWN: GORDON 05/19/04  
 APPROVED: GORDON 05/20/04  
 REFERENCE: -  
 APPLICATION: F48U66A01  
 USER/FILE: PSCS/MOTOUT

		A DIVISION OF A.O. SMITH CORPORATION 	
DESCRIPTION: OUTLINE MOTOR			
SIZE: B	PART NUMBER: 11819-017		SCALE: NONE
NOTICE: 0442348	SHEET: 1		

CONFIDENTIAL: THIS DRAWING AND ITS INFORMATION ARE THE EXCLUSIVE AND CONFIDENTIAL PROPERTY OF A.O. SMITH CORP. AND ARE NOT TO BE DISCLOSED, DUPLICATED, DISTRIBUTED OR OTHERWISE USED WITHOUT THE WRITTEN CONSENT OF A.O. SMITH CORP. - ALL RIGHTS RESERVED