

GENERAL INFORMATION:

SHAFT RUNOUT: .001 [.03] T.I.R. PER INCH LENGTH OF EXTENSION

END PLAY: .010 [.25] TO .063 [.25]

BEARINGS: SLEEVE

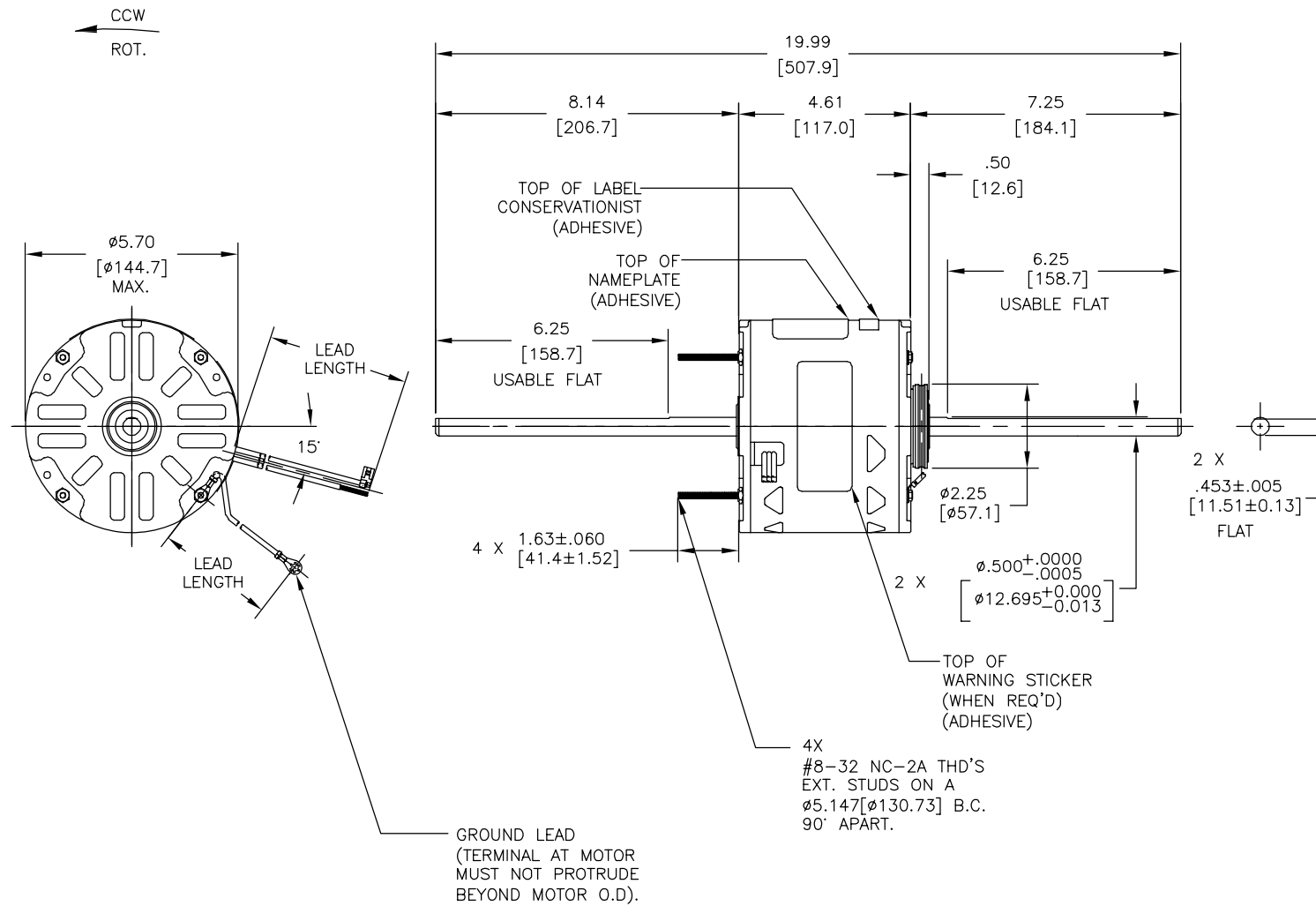
MOUNTING POSITION: HORIZONTAL

ELECTRICAL DATA:

OVERLOAD PROTECTOR: AUTOMATIC RESET (SENSATA 7AM 036)

LEADS: NO. 18 GA., .06 [1.5] THK. 105°C PVC INSUL.

GROUND LEAD: NO. 18 GA., .03 [.8] THK. (GREEN) INSUL.

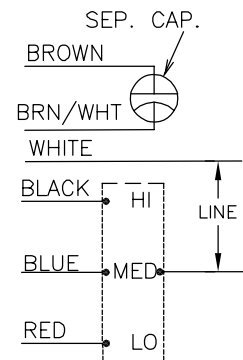


SEE NOTE 2

NAMEPLATE DATA:

MODEL: F48SL6L17
 CUST. P/N: []
 HP: 1/3
 ROT: CCWLE
 RPM: 1075/3 SPD.
 TYPE: UF
 FRAME: 48Y
 VOLTS: 208-230
 PH: 1
 AMPS: 1.9 (2.6 MAX.)
 HZ: 60
 INS: B
 AMB: 60C
 DUTY: AIR OVER
 CAP.: 5 MFD/370V
 ENCL: SEMI-ENCL.
 CSA LOGO
 UL LOGO
 THERMALLY PROTECTED

EXTERNAL CONNECTION DIAGRAM



614131-106

PERFORMANCE CURVE NO.	TORQUE @1100 RPM (25°C)	APPROVED SAMPLE	UL COMPONENT		CSA	
			FILE	CCN#	FILE	CLASS#
C22992	30.8 OZ. FT.	EX11254	E46412	PRGY2	LR43341	4211-01

GREEN (GRD)	29.0/31.0[737/787]	#10 EYELET
BROWN/WHITE	35.0/37.0[889/940]	.25[6.4] FLAG
BROWN	35.0/37.0[889/940]	.25[6.4] FLAG
WHITE	35.0/37.0[889/940]	.60[15.2] SKIN
BLACK	35.0/37.0[889/940]	.60[15.2] SKIN
BLUE	35.0/37.0[889/940]	.60[15.2] SKIN
RED	35.0/37.0[889/940]	.60[15.2] SKIN
COLOR	LENGTH	TERMINAL OR STRIP LENGTH

LEAD DATA

DRAWING REVISION	REVISION BY	DATE
A	D.VALENCIANO	10-29-2014
ECO	APPROVED BY	DATE
ECO-0063290	D.VALENCIANO	10-29-2014
ECO DESCRIPTION		
SEE ECO		

COPYRIGHT REGAL BELOIT AMERICA, INC. ALL RIGHTS RESERVED. PROPRIETARY AND CONFIDENTIAL INFORMATION - THIS DOCUMENT IS THE PROPERTY OF REGAL BELOIT AMERICA, INC. (OWNER) AND CONTAINS OWNER'S PROPRIETARY INFORMATION. ANY PERSON, CORPORATION OR OTHER FIRM RECEIVING IT IS DEEMED, BY RECEIVING IT, TO AGREE THAT IT, AND/OR ANY PART OF IT, SHALL NOT BE DISCLOSED TO ANY PERSON, CORPORATION OR OTHER ENTITY, DUPLICATED, AND/OR USED, EXCEPT AS EXPRESSLY APPROVED IN WRITING IN ADVANCE BY OWNER. THIS DOCUMENT SHALL BE RETURNED TO OWNER UPON REQUEST. IT MAY BE SUBJECT TO CERTAIN RESTRICTIONS UNDER APPLICABLE EXPORT CONTROL LAWS AND REGULATIONS.

NOTES:

- 615059-001 RESILIENT MOUNTING KIT TO BE PACKED WITH MOTOR
- DISTRIBUTION PART NUMBER: RA1036
GRAINGER PART NUMBER: 4MA61

REGAL-BELOIT CORPORATION (RBC) PROVIDES TECHNICAL ASSISTANCE TO OUR CUSTOMERS IN SEVERAL AREAS. SINCE RBC DOES NOT RECEIVE ALL DATA CONCERNING THE USE AND APPLICATION OF THE MOTOR, THE SUITABILITY OF THE MOTOR FOR THE APPLICATION MUST BE DETERMINED BY THE CUSTOMER.

DIMENSIONS WITHOUT TOLERANCES ARE FOR REFERENCE ONLY.

MAIN FRAME - OLE	SEMI-ENCLOSED
END FRAME - OLE	OPEN
MAIN FRAME - LE	SEMI-ENCLOSED
END FRAME - LE	OPEN
ENCLOSURE	

CUST.	DISTRIBUTION SERVICES
-------	-----------------------

DRAWN BY: MC NAMEE
 DATE: 04-27-1992
 APPROVED BY: T.TILE
 DATE: 08-23-1995
 REFERENCE: THIRD ANGLE PROJECTION

REGAL Regal Beloit America, Inc.

DESCRIPTION: MODEL-RFHP-48FR
 OUTLINE

MATERIAL: RA1036
 PROCESS/FINISH: C
 SIZE DWG NO: RA1036
 SHEET: 1