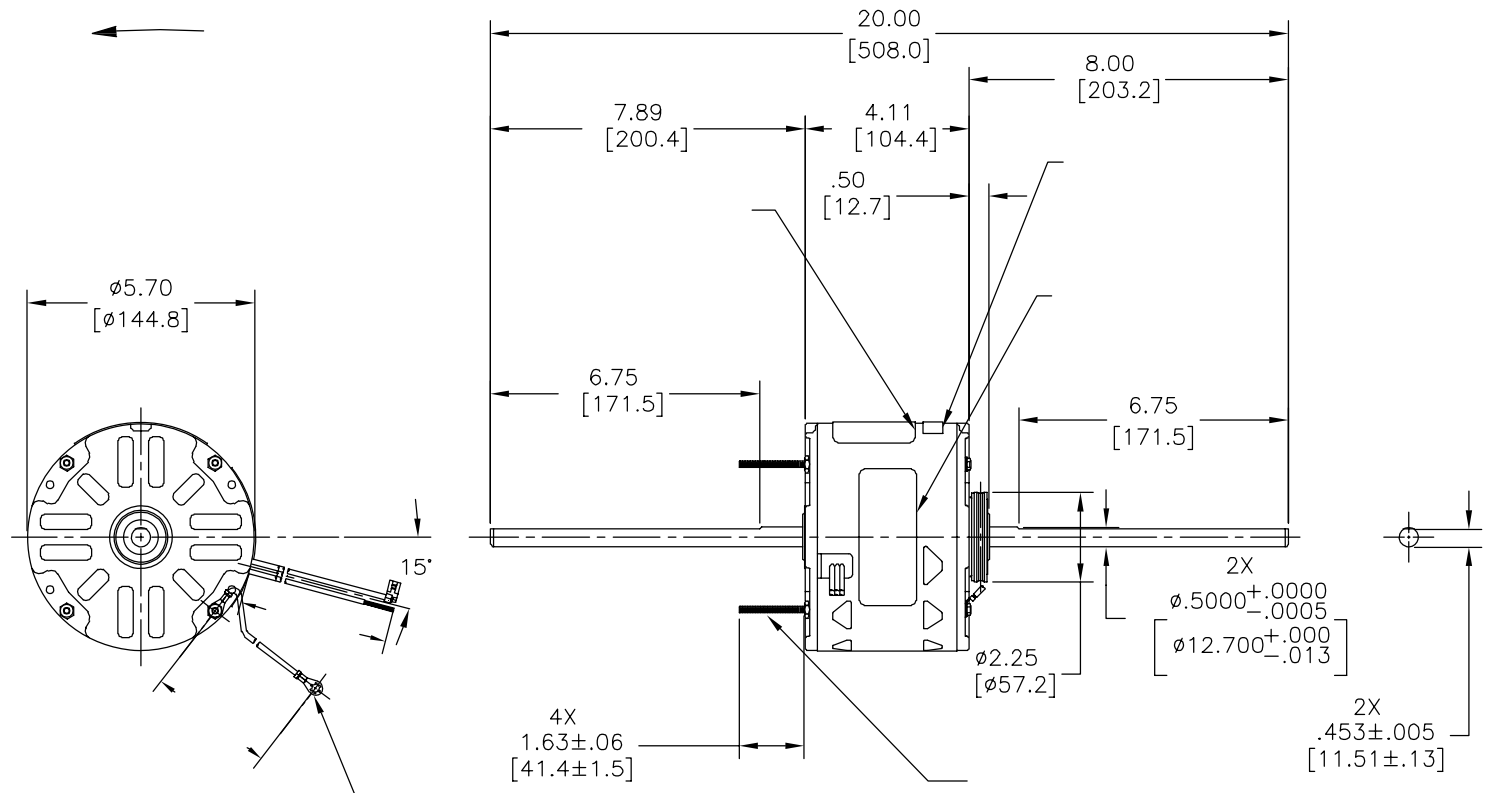
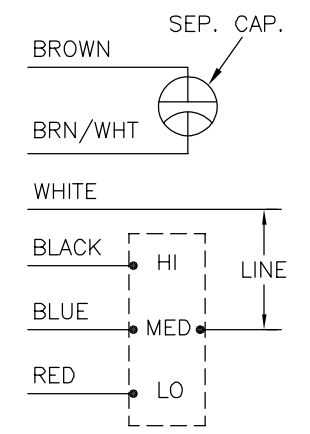


4 3 2 1

版本	ECO	编制	日期	批准	日期
A	0030190	F.NAVARRO	01-09-2013	D.BALDERRAMA	01-09-2013



MODEL NO.: F48SG6L11
 CUST. P/N: []
 HP: 1/4
 ROT.: CCWLE
 RPM: 1075/3 SPD
 TYPE: UF
 FRAME: 48Y
 VOLTS: 208-230
 PH: 1
 AMPS: 1.5 (1.9 MAX)
 HZ: 60
 INS.: B
 AMB.: 60°C
 DUTY: AIR OVER
 CAP: 5 MFD/370V
 ENCL: SEMI-ENCL
 CSA LOGO
 UL LOGO
 THERMALLY PROTECTED



614131-106

	29.0/31.0	
	[737/787]	
	35.0/37.0	.25[6.4]
	[889/940]	
	35.0/37.0	.25[6.4]
	[889/940]	
	35.0/37.0	.60[15.2]
	[889/940]	
	35.0/37.0	.60[15.2]
	[889/940]	
	35.0/37.0	.60[15.2]
	[889/940]	

					CCN #	CSA
C23006	EX11258	E46412	PRGY2	LR43341	260-ø-0	

- 形位公差
- 平面度
- 直线度
- ∠ 倾斜度
- ⊥ 垂直度
- // 平行度
- 圆度
- ⊘ 圆柱度
- ⊙ 圆跳动
- △ 面轮廓度
- ∩ 线轮廓度
- ↗ 圆跳动
- ⊕ 位置度
- ⊙ 同轴度
- ≡ 对称度

ASME Y14.5M 1994

REGAL-BELOIT CORPORATION (RBC) 在个别领域为客户提供技术支持。鉴于RBC未收到任何涉及电机使用和应用环境的数据，电机的适用性由客户自己决定。

未注公差尺寸仅供参考。

绘图: F.NAVARRO 01-08-2013
 批准: J.CISNEROS 01-08-2013
 第三角投影
 机密: 本图纸及相关信息所有权归REGAL-BELOIT CORPORATION。未经REGAL-BELOIT CORPORATION书面授权，不得泄露、复制或传播或作其他用途。—版权所有

REGAL REGAL-BELOIT CORPORATION

名称: MODEL-RFHP-48FR OUTLINE
 图幅: C 图号: RA1026
 比例: NONE 页号: 1

4 3 2 1

4

3

2

1

GENERAL INFORMATION:

SHAFT RUNOUT: .001[.03] T.I.R. PER INCH LENGTH OF EXTENSION

END PLAY: .010[.25] TO .063[1.60]

BEARINGS: SLEEVE

MOUNTING POSITION: HORIZONTAL

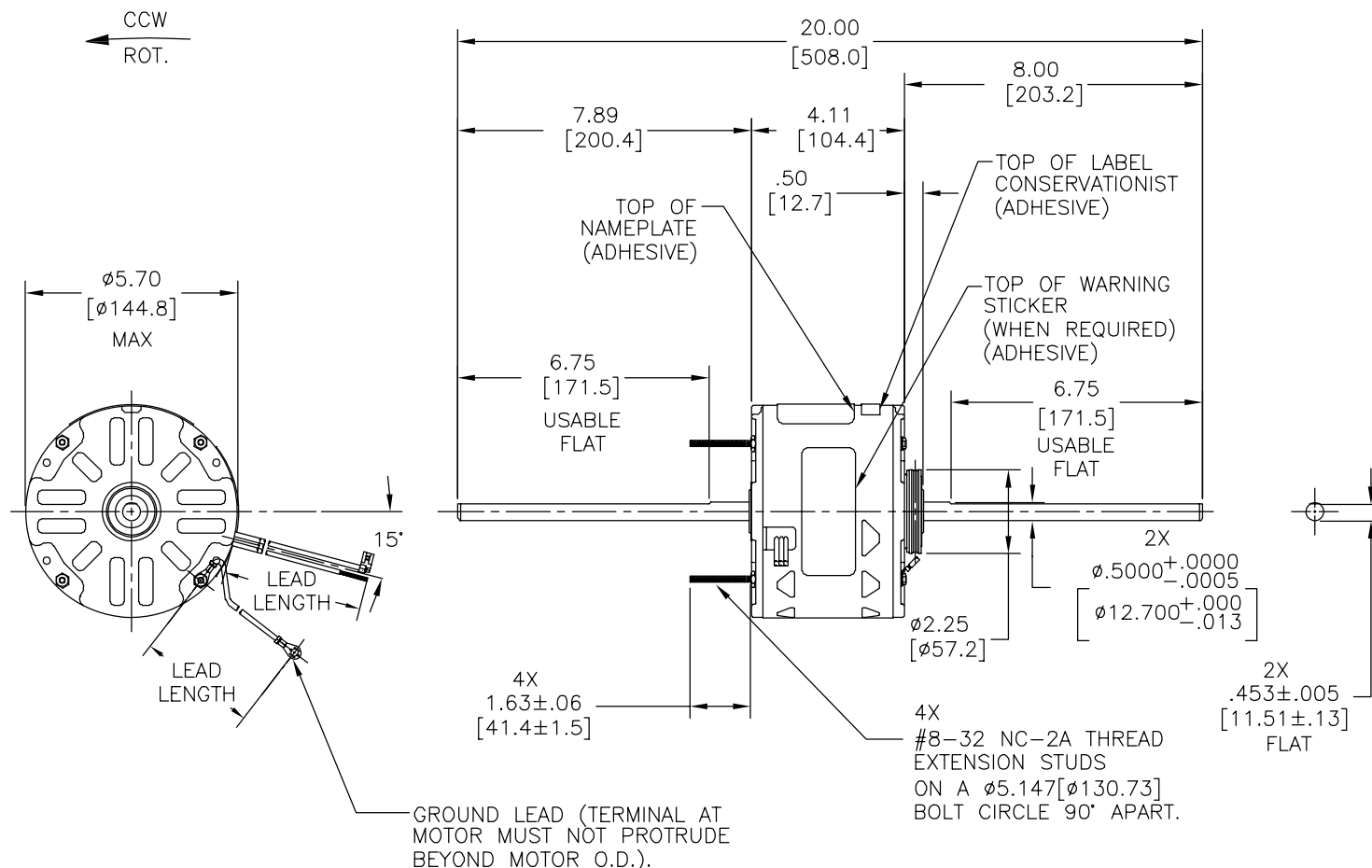
ELECTRICAL DATA:

OVERLOAD PROTECTOR: AUTOMATIC RESET (SENSATA 7AM 036)

LEADS: NO. 18 GA., .06[1.5] THK., 105°C PVC INSUL.

GROUND LEAD: NO. 18 GA., .03[.8] THK. (GREEN) INSUL.

REV	ECO	REV BY	DATE	APPD	DATE
A	0030190	F.NAVARRO	01-09-2013	D.BALDERRAMA	01-09-2013



SEE NOTE 2

NAMEPLATE DATA:	EXTERNAL CONNECTION DIAGRAM
MODEL NO.: F48SG6L11 CUST. P/N: [] HP: 1/4 ROT.: CCWLE RPM: 1075/3 SPD TYPE: UF FRAME: 48Y VOLTS: 208-230 PH: 1 AMPS: 1.5 (1.9 MAX) HZ: 60 INS.: B AMB.: 60°C DUTY: AIR OVER CAP: 5 MFD/370V ENCL: SEMI-ENCL CSA LOGO UL LOGO THERMALLY PROTECTED	

GREEN (GRD)	29.0/31.0 [737/787]	#10 EYELET
BROWN/WHITE	35.0/37.0 [889/940]	.25[6.4] FEMALE FLAG
BROWN	35.0/37.0 [889/940]	.25[6.4] FEMALE FLAG
WHITE	35.0/37.0 [889/940]	.60[15.2] SKIN
BLACK	35.0/37.0 [889/940]	.60[15.2] SKIN
BLUE	35.0/37.0 [889/940]	.60[15.2] SKIN
RED	35.0/37.0 [889/940]	.60[15.2] SKIN
COLOR	LENGTH	TERMINAL OR STRIP LENGTH

NOTES:

- 615059-001 RESILIENT MOUNTING KIT TO BE PACKED WITH MOTOR.
- DISTRIBUTION PART NUMBER: RA1026
GRAINGER PART NUMBER: 4MA57

MAIN FRAME - OLE	SEMI-ENCLOSED
END FRAME - OLE	OPEN
MAIN FRAME - LE	SEMI-ENCLOSED
END FRAME - LE	OPEN

CUSTOMER	DISTRIBUTION SERVICE
----------	----------------------

PERFORMANCE CURVE NO.	TORQUE @ 1075 RPM (25°C)	APPROVED SAMPLE	UL COMPONENT FILE #	CCN #	CSA FILE #	CLASS #
C23006	23.0 OZ. FT.	EX11258	E46412	PRGY2	LR43341	260-Ø-0

GEOMETRIC CHARACTERISTICS & SYMBOLS
 □ FLATNESS
 - STRAIGHTNESS
 < ANGLARITY
 ⊥ PERPENDICULARITY (SQUARENESS)
 // PARALLELISM
 ○ ROUNDNESS (CIRCULARITY)
 ∅ CYLINDRICITY
 △ PROFILE OF ANY SURFACE
 ∇ PROFILE OF ANY LINE
 ↗ RUNOUT
 ⊕ TRUE POSITION
 ⊙ CONCENTRICITY
 = SYMMETRY
 ASME Y14.5M 1994

REGAL-BELOIT CORPORATION (RBC) PROVIDES TECHNICAL ASSISTANCE TO OUR CUSTOMERS IN SEVERAL AREAS. SINCE RBC DOES NOT RECEIVE ALL DATA CONCERNING THE USE AND APPLICATION OF THE MOTOR, THE SUITABILITY OF THE MOTOR FOR THE APPLICATION MUST BE DETERMINED BY THE CUSTOMER.
 DIMENSIONS WITHOUT TOLERANCES ARE FOR REFERENCE ONLY.

DR BY: F.NAVARRO 01-08-2013
 APPD: J.CISNEROS 01-08-2013
 THIRD ANGLE PROJECTION
 EDS DATE 11-11-2011
 FORMAT REV H
 CONFIDENTIAL: THIS DRAWING AND ITS INFORMATION ARE THE EXCLUSIVE AND CONFIDENTIAL PROPERTY OF REGAL-BELOIT CORPORATION AND ARE NOT TO BE DISCLOSED, DUPLICATED, DISTRIBUTED OR OTHERWISE USED WITHOUT THE WRITTEN CONSENT OF REGAL-BELOIT CORPORATION. -ALL RIGHTS RESERVED.

REGAL REGAL-BELOIT CORPORATION
 DESCRIPTION: MODEL-RFHP-48FR OUTLINE
 SIZE: C DWG NO: RA1026
 SCALE: NONE SHEET 1

4

3

2

1

4

3

2

1

INFORMACION GENERAL:

OSILACION DE LA FLECHA: .001[.03] L.T.I. DE ACUERDO A UNA PULGADA DE EXTENSION.

JUEGO AXIAL: .010[.25] A .063[1.60]

BALEROS: MANGA

POSICION DE MONTAJE: HORIZONTAL

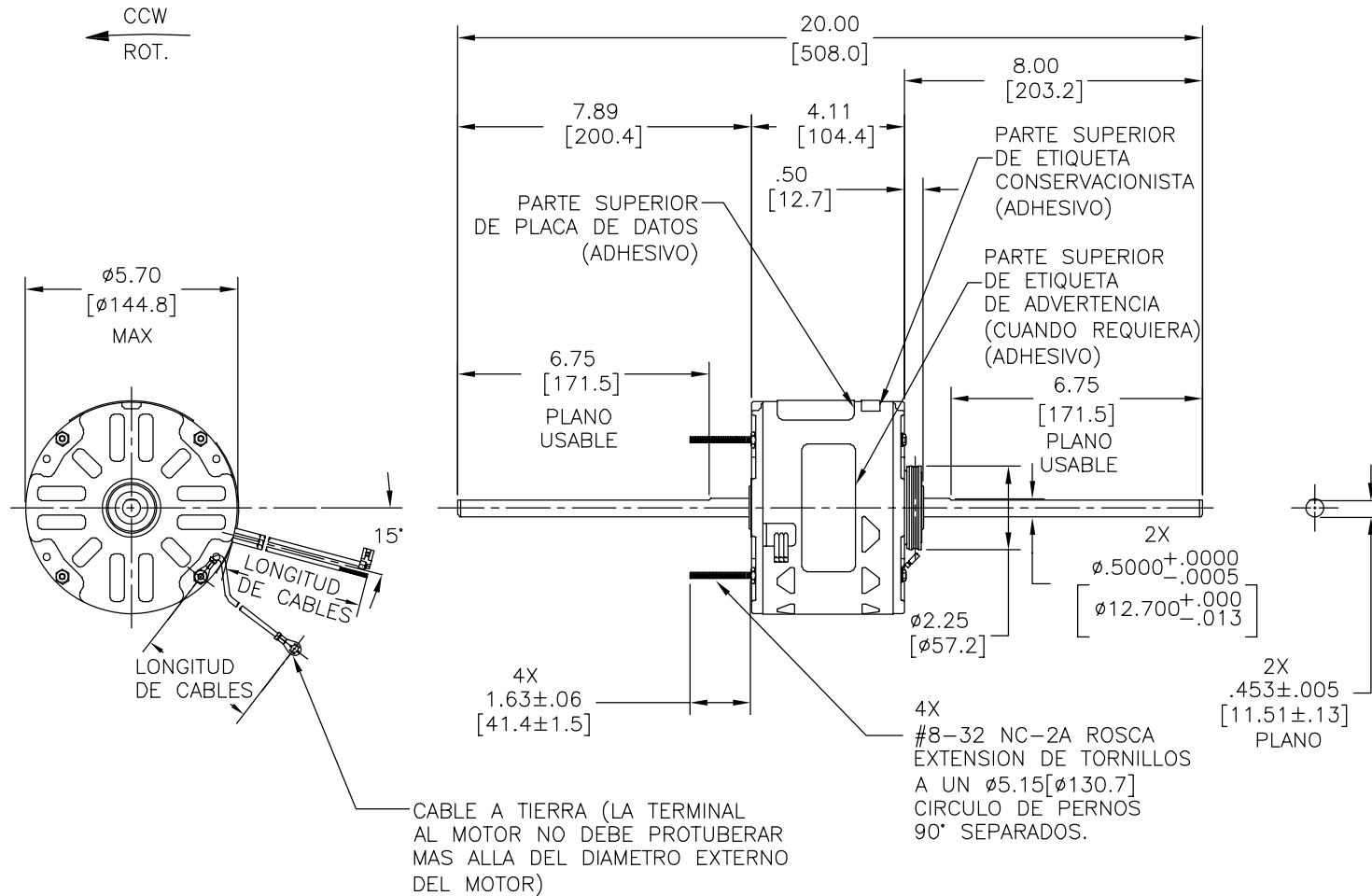
DATOS ELECTRICOS:

PROTECTOR DE SOBRECARGA: REINICIO AUTOMATICO (SENSATA 7AM 036)

CABLES: CALIBRE NO. 18, .06[1.5] DE ESPESOR PVC 105°C AISLADO.

CABLE A TIERRA: CALIBRE NO. 18, .03[.8] DE ESPESOR (VERDE) AISLADO.

REVISION:	ECO	REVISADO POR:	FECHA:	APROBADO POR:	FECHA:
A	0030190	F.NAVARRO	01-09-2013	D.BALDERRAMA	01-09-2013

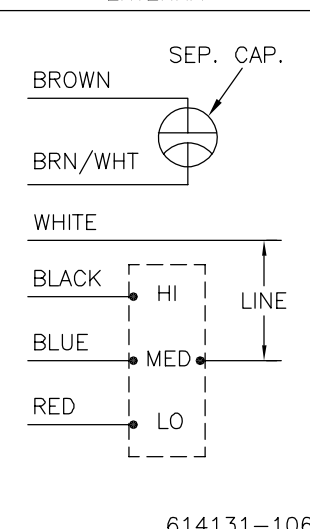


VER NOTA 2

PLACA DE DATOS:

MODEL NO.: F48SG6L11
 CUST. P/N: []
 HP: 1/4
 ROT.: CCWLE
 RPM: 1075/3 SPD
 TYPE: UF
 FRAME: 48Y
 VOLTS: 208-230
 PH: 1
 AMPS: 1.5 (1.9 MAX)
 HZ: 60
 INS.: B
 AMB.: 60°C
 DUTY: AIR OVER
 CAP: 5 MFD/370V
 ENCL: SEMI-ENCL
 CSA LOGO
 UL LOGO
 THERMALLY PROTECTED

DIAGRAMA DE CONEXION EXTERNA



VERDE (TIERRA)	29.0/31.0 [737/787]	OJAL #10
CAFE/BLANCO	35.0/37.0 [889/940]	.25[6.4] BANDERA HEMBRA
CAFE	35.0/37.0 [889/940]	.25[6.4] BANDERA HEMBRA
BLANCO	35.0/37.0 [889/940]	.60[15.2] FORRO
NEGRO	35.0/37.0 [889/940]	.60[15.2] FORRO
AZUL	35.0/37.0 [889/940]	.60[15.2] FORRO
ROJO	35.0/37.0 [889/940]	.60[15.2] FORRO
COLOR	LONGITUD	TERMINAL O LONGITUD DE DESFORRE

- NOTAS:
- 615059-001 JUEGO DE MONTAJE AJUSTABLE PARA SER EMPACADO CON EL MOTOR.
 - DISTRIBUCION NUMERO DE PARTE: RA1026 NUMERO DE PARTE GRAINGER: 4MA57

CARCASA - OLE	SEMI-CERRADO
TAPA FINAL - OLE	ABIERTO
CARCASA - LE	SEMI-CERRADO
TAPA FINAL - LE	ABIERTO

CLIENTE	DISTRIBUTION SERVICE
---------	----------------------

CURVAS DE FUNCIONAMIENTO	TORSION @1075 RPM (25°C)	MUESTRA APROVADA	COMPONENTE UL	CSA
C23006	23.0 OZ. PIES	EX11258	#ARCHIVO #CCN #	#ARCHIVO #CLASE
			E46412 PRGY2 LR43341	260-0-0

CARACTERISTICAS DE GEOMETRIA Y SIMBOLOS

- PLANICIDAD
- RECTITUD
- ANGULARIDAD
- PERPENDICULARIDAD (A ESCUADRA)
- PARALELISMO
- REDONDEZ (CIRCULARIDAD)
- CILINDRICIDAD
- PERFIL DE CUALQUIER SUPERFICIE
- PERFIL DE CUALQUIER LINEA
- VARIACION
- POSICION REAL
- CONCENTRICIDAD
- SIMETRIA

ASME Y14.5M 1994

REGAL-BELOIT CORPORATION (RBC) PROVEE ASISTENCIA TECNICA A NUESTROS CLIENTES EN VARIAS AREAS, DESDE QUE RBC NO RECIBE TODOS LOS DATOS EN RELACION AL USO Y A LA APLICACION DEL MOTOR, LA APLICACION ADECUADA DEL MOTOR DEBE SER DETERMINADA POR EL CLIENTE.

DIMENSIONES SIN TOLERANCIA SON DE REFERENCIA SOLAMENTE

DIBUJADO POR: F.NAVARRO 01-08-2013

APROBADO POR: J.CISNEROS 01-08-2013

TERCER ANGULO DE PROYECCION

FECHA EDS: 11-11-2011

REV. FORMATO: H

CONFIDENCIAL: ESTE DIBUJO Y SU INFORMACION SON PROPIEDAD DE USO EXCLUSIVO Y CONFIDENCIAL DE REGAL-BELOIT CORPORATION. Y NO DEBERAN SER REVELADOS, DUPLICADOS, DISTRIBUIDOS O USARSE DE OTRA MANERA SIN EL CONSENTIMIENTO ESCRITO DE REGAL-BELOIT CORPORATION. -TODOS LOS DERECHOS RESERVADOS.

REGAL REGAL-BELOIT CORPORATION

DESCRIPCION: MODEL-RFHP-48FR OUTLINE

TAMAÑO: C NUMERO DE DIBUJO: RA1026

ESCALA: NONE HOJA: 1

4

3

2

1