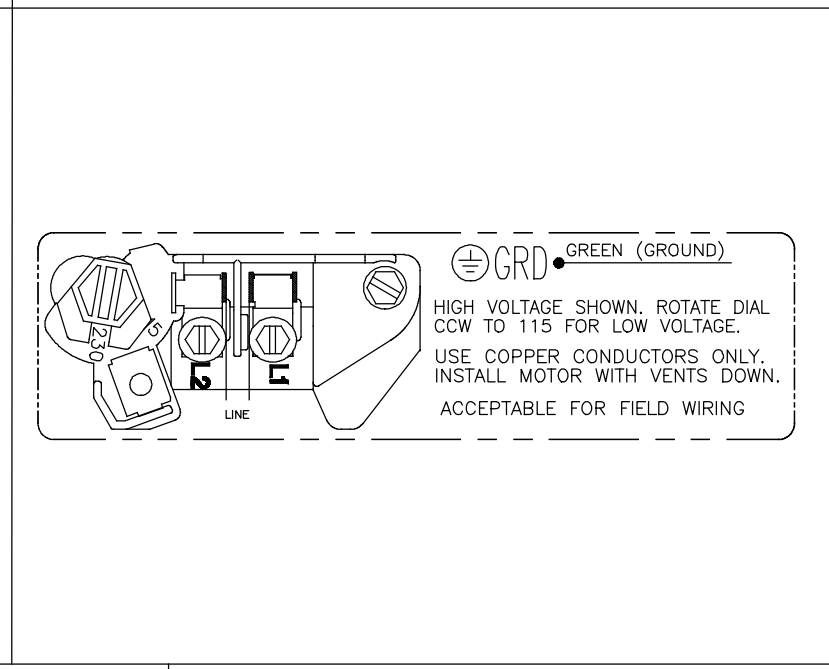


NAMEPLATE DATA

MODEL: K48L2PA101A1
 CUST PN: QC1102
 HP: 1.0 SF: 1.65
 ROT: CCWPE
 RPM: 3450
 TYPE: UAK CODE: L
 FORM: FRAME: 48Y
 VOLTS: 208-230/115
 AMPS:
 MAX AMPS: 8.0/16.0
 SF AMPS:
 PH: 1 HZ: 60
 INS: B AMB: 50°C
 DUTY: CONT
 ENCLOSURE: ODP
 THERMALLY-PROTECTED

EXTERNAL CONNECTION DIAGRAM



NOTES

1. FINISH PAINT TO BE SATIN BLACK.
2. .44 [11.2] WRENCH FLATS ON SHAFT-FOR ACCESS TO THIS WRENCH FLAT REMOVE END COVER.
3. LIMITS ON AMPLITUDE OF VIBRATION MEASURED AT BEARING HOUSING=.001 [0.03].
4. CAPAC. HOUSING TO BE LOCATED WITHIN ±2.5° OF VERTICAL q OF END FRAME (P.E.).
5. CONNECTED FOR 230 VOLTS.
6. REF. MOTOR NUMBER:626610-007
7. MEET THE REQUIREMENT OF RoHS: IEC62321 LATEST VERSION, EUROPEAN UNION RoHS LATEST VERSION, REACH LATEST VERSION, USA CALIFORNIA 65 LAW LATEST VERSION.
8. THE SYMBOL OF CTQ: ▲

PERFORMANCE CURVE		APPROVED SAMPLE	
K48L2W1			
UL COMPONENT		CSA	
FILE#	CCN#	FILE#	GUIDE#
E25022	XEWR2	LR43341	4211-01
CUSTOMER DISTRIBUTION SERVICES			

DRAWING REVISION	REVISION BY	DATE	TOLERANCES UNLESS OTHERWISE SPECIFIED	DRAWN BY:	REGAL™ Regal Beloit America, Inc. DESCRIPTION MODEL-PFHP-48FR OUTLINE MATERIAL - PROCESS/FINISH - DATE: 05-12-2009 APPROVED BY: DATE: REFERENCE: THIRD ANGLE PROJECTION SIZE DWG NO: C QC1102 SHEET: 1
H	RUI.LIAN	07-29-2019	DEC. INCH mm ANGLE	JLG	
ECO	APPROVED BY	DATE	.XX ±0.1 [±3] ±0.5°	DATE: 05-12-2009	
ECO-0171167	TRISTA.ZHAO	07-29-2019	.XX ±0.02 [±0.5]	APPROVED BY:	
SEE ECO			.XXX ±0.005 [±0.13]	DATE:	

COPYRIGHT REGAL BELOIT AMERICA, INC. ALL RIGHTS RESERVED.
 PROPRIETARY AND CONFIDENTIAL INFORMATION - THIS DOCUMENT IS THE PROPERTY OF REGAL BELOIT AMERICA, INC. (OWNER) AND CONTAINS OWNER'S PROPRIETARY INFORMATION. ANY PERSON, CORPORATION OR OTHER FIRM RECEIVING IT IS DEEMED, BY RECEIVING IT, TO AGREE THAT IT, AND/OR ANY PART OF IT, SHALL NOT BE DISCLOSED TO ANY PERSON, CORPORATION OR OTHER ENTITY, DUPLICATED, AND/OR USED, EXCEPT AS EXPRESSLY APPROVED IN WRITING IN ADVANCE BY OWNER. THIS DOCUMENT SHALL BE RETURNED TO OWNER UPON REQUEST. IT MAY BE SUBJECT TO CERTAIN RESTRICTIONS UNDER APPLICABLE EXPORT CONTROL LAWS AND REGULATIONS.

TOLERANCES UNLESS OTHERWISE SPECIFIED		DRAWN BY:	REGAL™ Regal Beloit America, Inc. DESCRIPTION MODEL-PFHP-48FR OUTLINE MATERIAL - PROCESS/FINISH - DATE: 05-12-2009 APPROVED BY: DATE: REFERENCE: THIRD ANGLE PROJECTION SIZE DWG NO: C QC1102 SHEET: 1
DEC. INCH mm ANGLE		JLG	
.XX ±0.1 [±3] ±0.5°		DATE: 05-12-2009	
.XX ±0.02 [±0.5]		APPROVED BY:	
.XXX ±0.005 [±0.13]		DATE:	