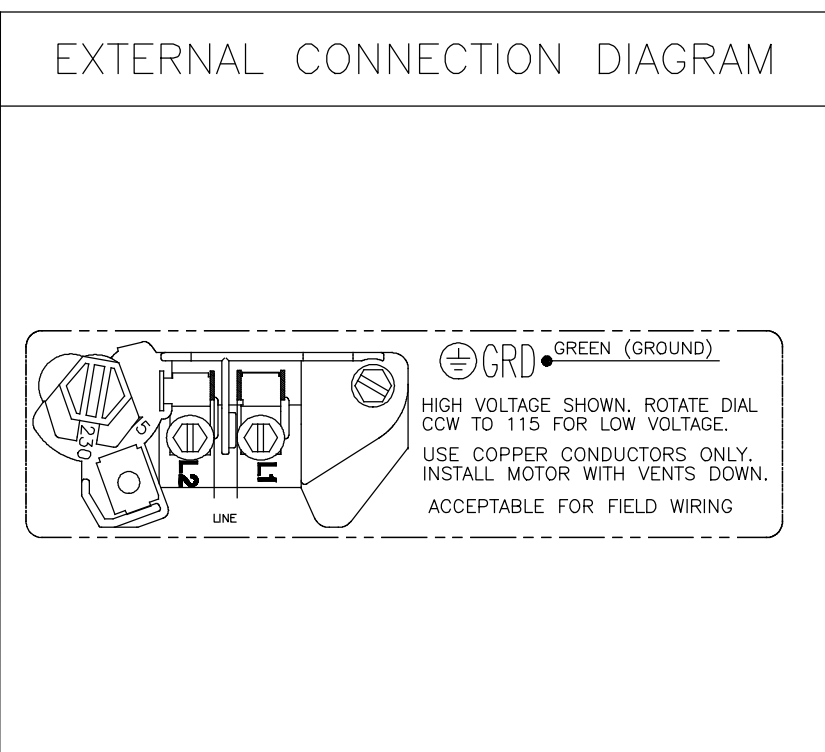
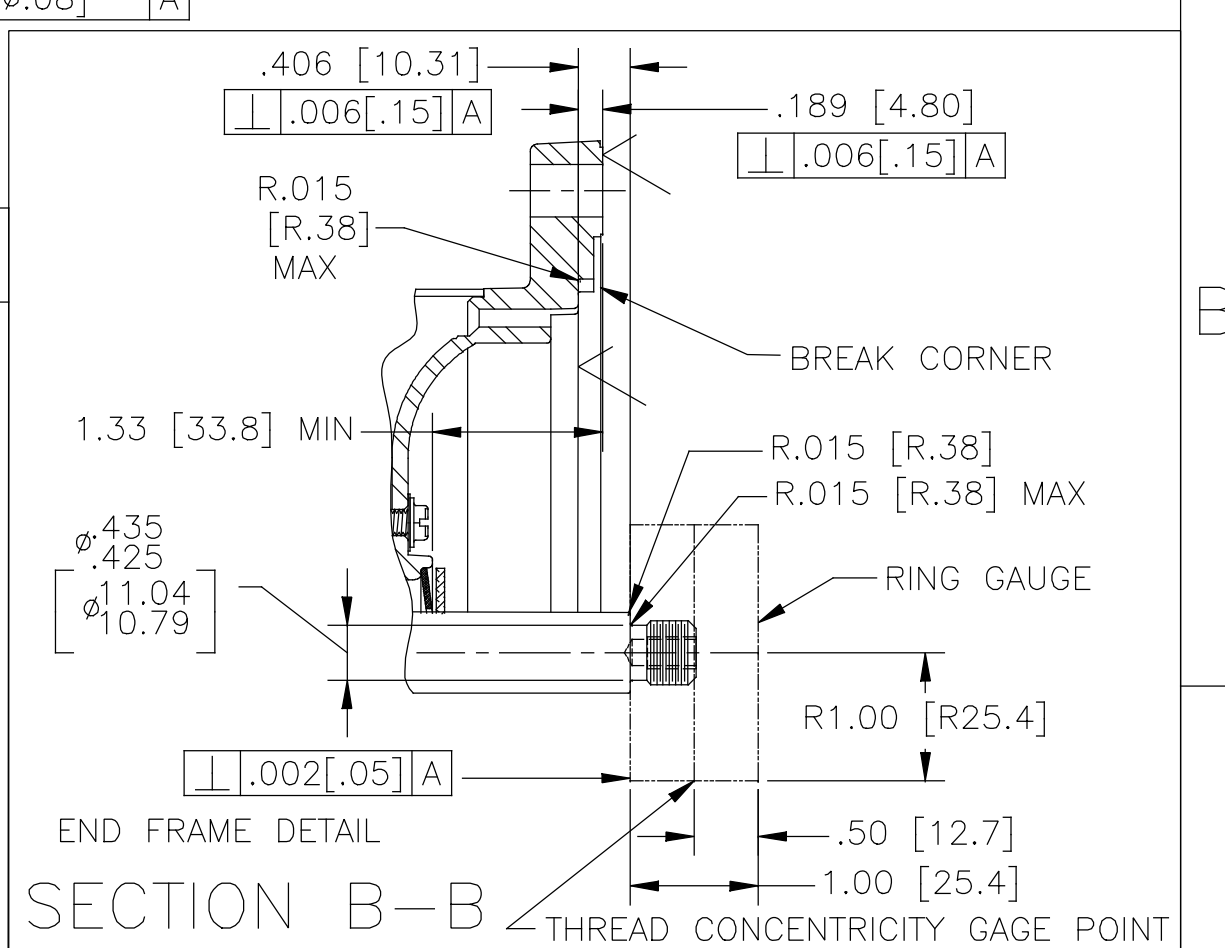


NAMEPLATE DATA		EXTERNAL CONNECTION DIAGRAM		NOTES
MODEL: K48N2EC11A1HH	CUST PN: Q1202	HP: 2.0	SF: 1.25	
ROT: —	RPM: 3450	TYPE: K	CODE: G	
FORM: —	FRAME: 48Y	PH: 1	HZ: 60	
VOLTS: 230/115	AMPS: —	INS: B	AMB: 40°C	
MAX AMPS: 12/24	SF AMPS: —	DUTY: CONT	ENCLOSURE: ODP	
TERMINALS .25[6.4] WIDE BLADES	1/2-14 STRAIGHT PIPE THREAD MUST BE LOCATED WITHIN $\pm 2^\circ$ OF HORIZONTAL q			



NOTES

- FINISH PAINT TO BE SATIN BLACK.
- .44[11.1] WRENCH FLATS ON SHAFT—FOR ACCESS TO THIS WRENCH FLAT REMOVE END COVER.
- 303 STAINLESS STEEL SHAFT EXT.
- LIMITS ON AMPLITUDE OF VIBRATION MEASURED AT BEARING HOUSING = .001[.03].
- CONNECT MOTOR FOR 230 VOLTS.
- CAPACITOR HOUSING TO BE LOCATED WITHIN $\pm 2^\circ$ OF VERTICAL q OF END FRAME (P.E.)



PERFORMANCE CURVE		APPROVED SAMPLE	
K48N2W5		CSA	
FILE#	CCN#	FILE#	GUIDE#
E46412	PRGY2	LR43341	4211-01
CUSTOMER	DISTRIBUTION		

DRAWING REVISION	REVISION BY	DATE	TOLERANCES UNLESS OTHERWISE SPECIFIED	DRAWN BY:	MEO
G	P.ROJAS	05-17-2019	DEC. INCH mm ANGLE	DATE:	11-28-2007
ECO	APPROVED BY	DATE	.XX ± 0.1 [± 2.5] $\pm 0.5^\circ$	APPROVED BY:	
ECO-0167343	P.ROJAS	05-17-2019	.XX ± 0.02 [± 0.51]	DATE:	
ECO DESCRIPTION			.XXX ± 0.005 [± 0.127]	REFERENCE	
SEE ECO			.XXXX ± 0.0005 [± 0.0127]	MATERIAL	
			REMOVE BURRS & BREAK SHARP EDGES .003/.015 [0.076/.381]	PROCESS/FINISH	
			CORNER FILLETS .02 [51]	THIRD ANGLE PROJECTION	
			MACHINED SURFACES \sqrt{Ra} \sqrt{Rz} INCH/mm	SIZE DWG NO	
			mm SHOWN IN [BRACKETS]	C	

REGAL™ Regal Beloit America, Inc.			
DESCRIPTION		MODEL-PFHP-48FR	
OUTLINE			
THIRD ANGLE PROJECTION	SIZE DWG NO	Q1202	SHEET 1