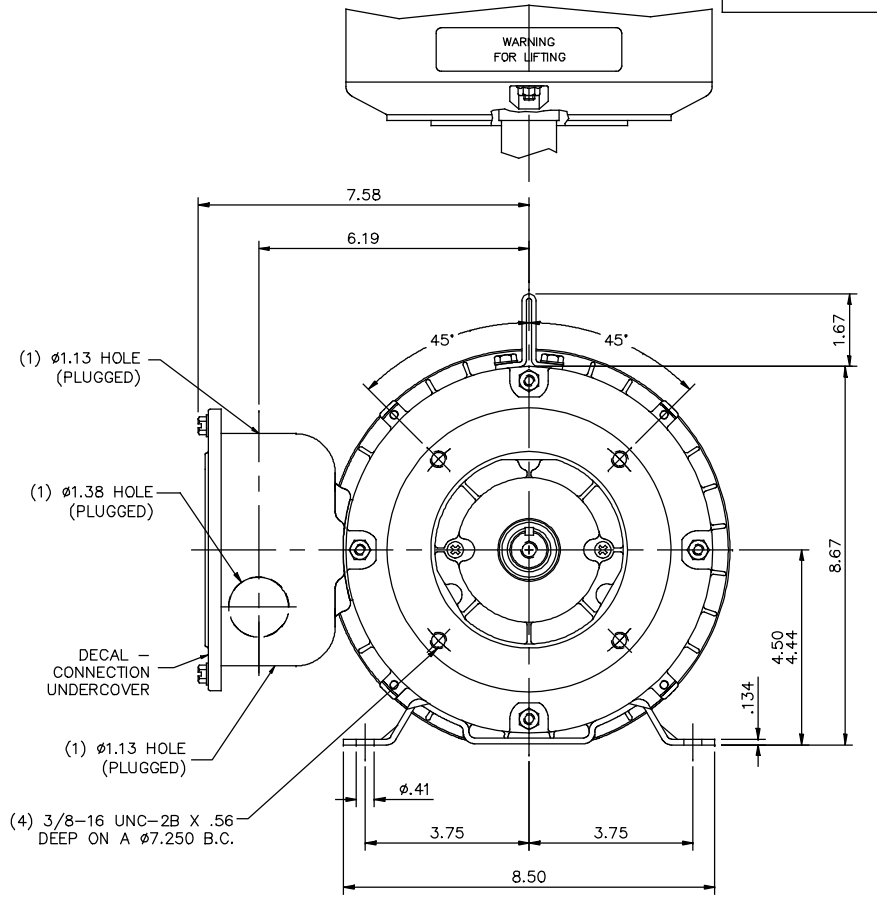
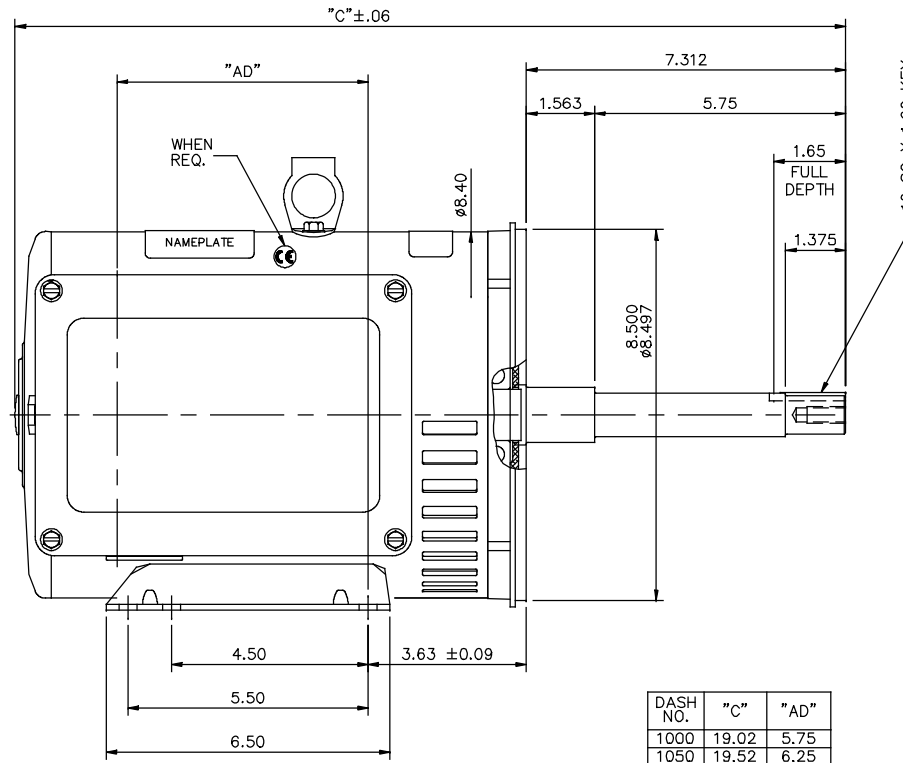
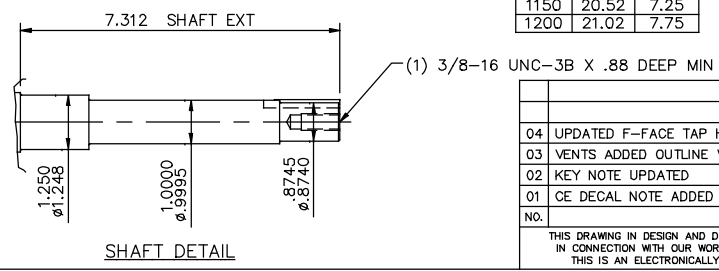


035912CY



DASH NO.	"C"	"AD"
1000	19.02	5.75
1050	19.52	6.25
1100	20.02	6.75
1150	20.52	7.25
1200	21.02	7.75



GASKETS THROUGHOUT
 MAXIMUM FACE RUNOUT TO BE .004 T.I.R.
 MAXIMUM PILOT ECCENTRICITY TO BE .004 T.I.R.
 PERMISSIBLE SHAFT RUNOUT TO BE .008 T.I.R.

NO.	REVISION	BY & DATE	CHK	ANG	±1/2'	FINISH	REV
04	UPDATED F-FACE TAP HOLES BC DIAMETER	MVG 01/16/18	SR	X	±.1		
03	VENTS ADDED OUTLINE VIEWS	UD 04/25/13	SR	XX	±.03		
02	KEY NOTE UPDATED	GR 12/21/12	SR	XXX	±.005		
01	CE DECAL NOTE ADDED	GR 11/20/12	SR	XXXX	±.0005		

		DRAWN VS 9/14/2012 CHK VS 07/23/12 APPD SCALE 3=8 REF 035891CY FMF PREV
TITLE OUTLINE - 184TCZ FRAME TEFC - PUMP MOUNT		CAD FILE 035912CY SIZE B DRAWING NO. 035912CY REV. 04

THIS DRAWING IN DESIGN AND DETAIL IS OUR PROPERTY AND MUST NOT BE USED EXCEPT IN CONNECTION WITH OUR WORK. ALL RIGHTS OF DESIGN AND INVENTION ARE RESERVED. THIS IS AN ELECTRONICALLY GENERATED DOCUMENT - DO NOT SCALE THIS PRINT