

4

3

2

1

REV	ECO	REV BY	DATE	APPD	DATE
B	0024331	A.CHEN	03-08-2012	B.SHEN	03-08-2012

GENERAL INFORMATION:

SHAFT RUNOUT: .001[.03] T.I.R. PER INCH LENGTH OF EXTENSION.

END PLAY: .010[.25] TO .063[1.60]

BEARINGS: SLEEVE

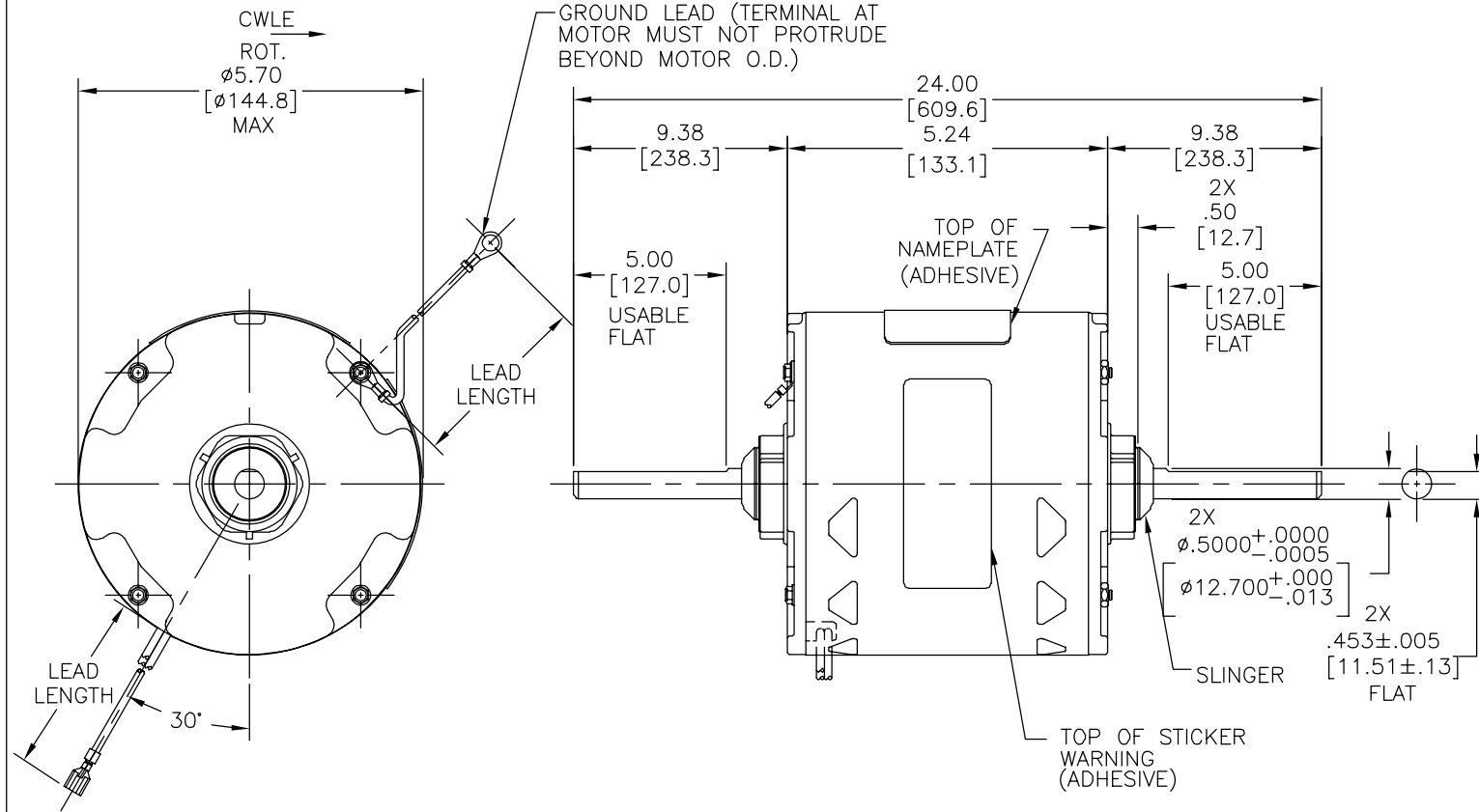
MOUNTING POSITION: HORIZONTAL

ELECTRICAL DATA:

OVERLOAD PROTECTOR: AUTOMATIC RESET (T.I. 7AM 036)

LEADS: NO. 18 GA., .06[1.5] THK., EPDM 125°C INSUL.

GROUND LEAD: NO. 18 GA., .03[.8] THK., (GREEN) INSUL.



NAMEPLATE DATA:	EXTERNAL CONNECTION DIAGRAM
MODEL NO.: F48K40A01 CUST. P/N: OYK1056 HP: 1/2 ROT.: CWLE RPM: 1050 TYPE: UF FRAME: 48Y VOLTS: 230 PH: 1 AMPS: 4.3 HZ: 60 INS.: B AMB.: 40° C DUTY: AIR OVER CAP.: 5 MFD/370V ENCL: SEMI-ENCL. UL LOGO CSA LOGO THERMALLY PROTECTED	CONNECTION DIAGRAM

614131-003

GREEN(GRD)	6.0/7.0 [152/178]	.25[6.4] RING
BROWN	33.0/36.0 [838/914]	.25[6.4] FEMALE SPADE
YELLOW	33.0/36.0 [838/914]	.25[6.4] FEMALE SPADE
BLACK	42.0/45.0 [1067/1143]	.25[6.4] FEMALE SPADE
COLOR	LENGTH	TERMINAL OR STRIP LENGTH

MAIN FRAME - OLE	SEMI-ENCL
END FRAME - OLE	ENCLOSED
MAIN FRAME - LE	SEMI-ENCL
END FRAME - LE	ENCLOSED

CUSTOMER	DISTRIBUTION SERVICES
----------	-----------------------

PERFORMANCE CURVE NO.	TORQUE @ 1050 RPM (25°C)	APPROVED SAMPLE	UL COMPONENT FILE #	CCN #	CSA FILE #	CLASS #
C31559	63.2 OZ. FT.	97AC495A	E46412	PRGY2	LR43341	4211-01

GEOMETRIC CHARACTERISTICS & SYMBOLS

- FLATNESS
- STRAIGHTNESS
- ∠ ANGULARITY
- ⊥ PERPENDICULARITY (SQUARENESS)
- ∥ PARALLELISM
- ROUNDNESS (CIRCULARITY)
- ⊘ CYLINDRICITY
- △ PROFILE OF ANY SURFACE
- ∩ PROFILE OF ANY LINE
- ↗ RUNOUT
- ⊕ TRUE POSITION
- ⊙ CONCENTRICITY
- ≡ SYMMETRY

ASME Y14.5M 1994

REGAL-BELOIT CORPORATION (RBC) PROVIDES TECHNICAL ASSISTANCE TO OUR CUSTOMERS IN SEVERAL AREAS. SINCE RBC DOES NOT RECEIVE ALL DATA CONCERNING THE USE AND APPLICATION OF THE MOTOR, THE SUITABILITY OF THE MOTOR FOR THE APPLICATION MUST BE DETERMINED BY THE CUSTOMER.

DIMENSIONS WITHOUT TOLERANCES ARE FOR REFERENCE ONLY.

DR BY: A.CHEN 03-08-2012

APPD: B.SHEN 03-08-2012

THIRD ANGLE PROJECTION

EDS DATE 11-11-2011
FORMAT REV G

CONFIDENTIAL: THIS DRAWING AND ITS INFORMATION ARE THE EXCLUSIVE AND CONFIDENTIAL PROPERTY OF REGAL-BELOIT CORPORATION AND ARE NOT TO BE DISCLOSED, DUPLICATED, DISTRIBUTED OR OTHERWISE USED WITHOUT THE WRITTEN CONSENT OF REGAL-BELOIT CORPORATION. -ALL RIGHTS RESERVED.



DESCRIPTION: MODEL-RFHP-48FR OUTLINE

SIZE: C DWG NO: OYK1056

SCALE: NONE SHEET: 1

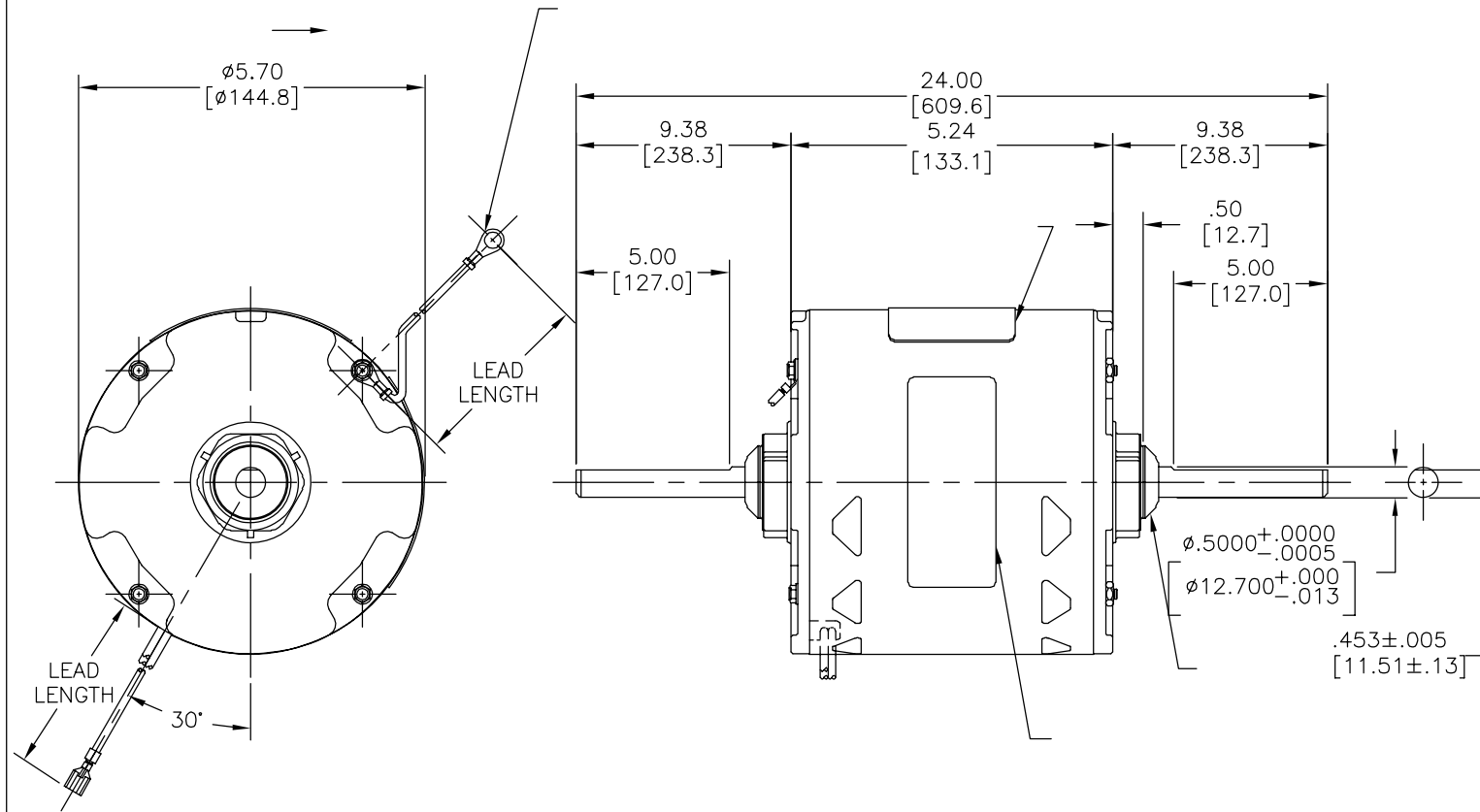
4

3

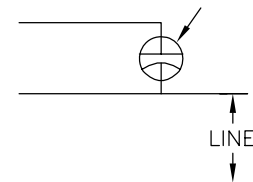
2

1

REVISION:	ECO	REVISADO POR:	FECHA:	APROBADO POR:	FECHA:
B	0024331	A.CHEN	03-08-2012	B.SHEN	03-08-2012



MODEL NO.: F48K40A01
 CUST. P/N: OYK1056
 HP: 1/2
 ROT.: CWLE
 RPM: 1050
 TYPE: UF
 FRAME: 48Y
 VOLTS: 230
 PH: 1
 AMPS: 4.3
 HZ: 60
 INS.: B
 AMB.: 40° C
 DUTY: AIR OVER
 CAP.: 5 MFD/370V
 ENCL: SEMI-ENCL.
 UL LOGO
 CSA LOGO
 THERMALLY PROTECTED



614131-003

	33.0/36.0	
	[838/914]	
	33.0/36.0	
	[838/914]	
	42.0/45.0	
	[1067/1143]	

DISTRIBUTION SERVICES

CARACTERISTICAS DE GEOMETRIA Y SIMBOLOS
 ▢ PLANICIDAD
 — RECTITUD
 < ANGULARIDAD
 ⊥ PERPENDICULARIDAD (A ESCUADRA)
 // PARALELISMO
 ○ REDONDEZ (CIRCULARIDAD)
 ∅ CILINDRICIDAD
 △ PERFIL DE CUALQUIER SUPERFICIE
 ∩ PERFIL DE CUALQUIER LINEA
 ↗ VARIACION
 ⊕ POSICION REAL
 ⊙ CONCENTRICIDAD
 = SIMETRIA
 ASME Y14.5M 1994

REGAL-BELOIT CORPORATION (RBC)
 PROVEE ASISTENCIA TECNICA A NUESTROS CLIENTES EN VARIAS AREAS. DESDE QUE RBC NO RECIBE TODOS LOS DATOS EN RELACION AL USO Y A LA APLICACION DEL MOTOR, LA APLICACION ADECUADA DEL MOTOR DEBE SER DETERMINADA POR EL CLIENTE.

DIMENSIONES SIN TOLERANCIA SON DE REFERENCIA SOLAMENTE

DIBUJADO POR: A.CHEN
 03-08-2012
 APROBADO POR: B.SHEN
 03-08-2012
 TERCER ANGULO DE PROYECCION
 FECHA EDS: 11-11-2011
 REV. FORMATO: G
 CONFIDENCIAL: ESTE DIBUJO Y SU INFORMACION SON PROPIEDAD DE USO EXCLUSIVO Y CONFIDENCIAL DE REGAL-BELOIT CORPORATION. Y NO DEBERAN SER REVELADOS, DUPLICADOS, DISTRIBUIDOS O USARSE DE OTRA MANERA SIN EL CONSENTIMIENTO ESCRITO DE REGAL-BELOIT CORPORATION. -TODOS LOS DERECHOS RESERVADOS.

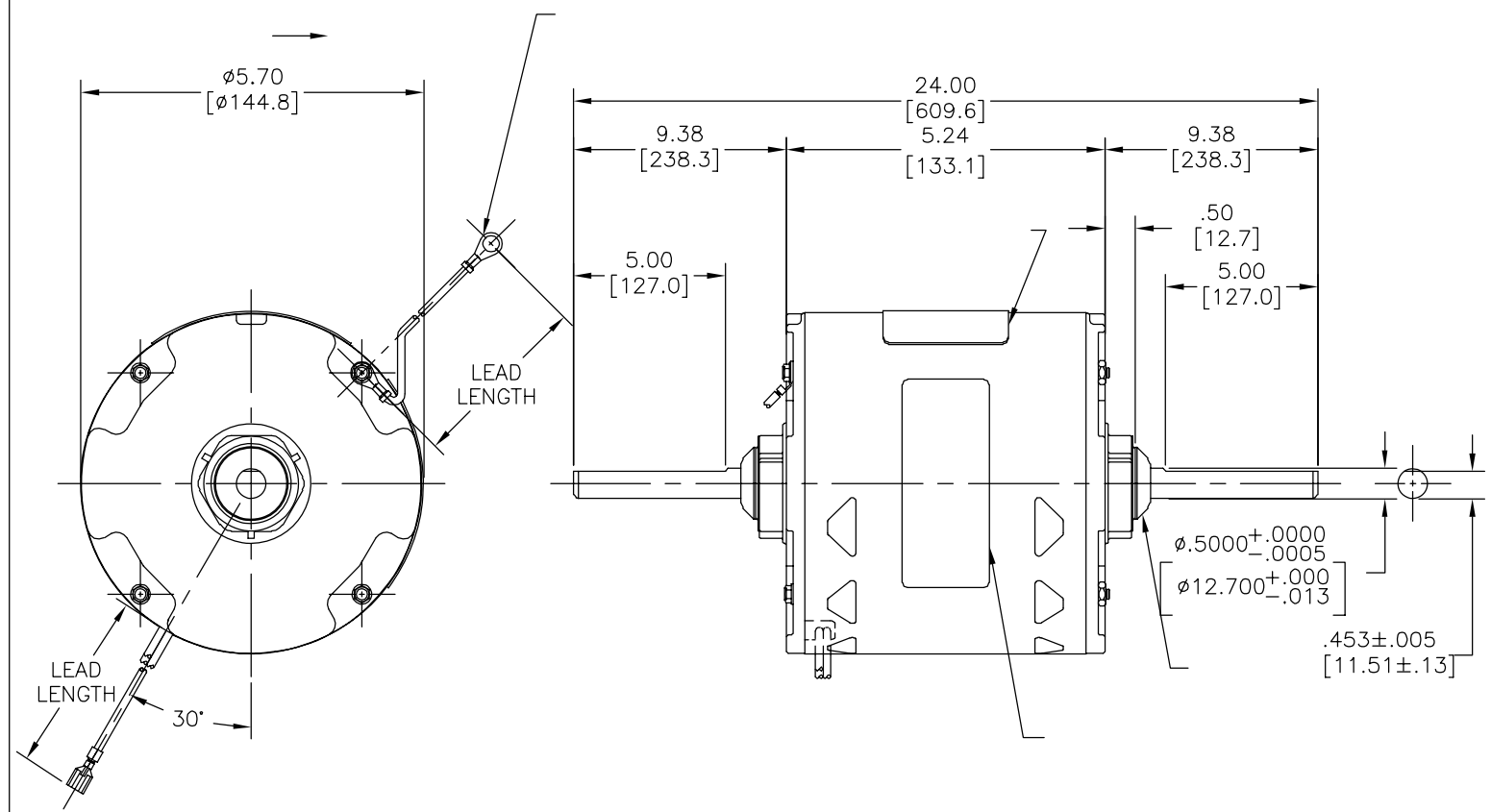


DESCRIPCION: MODEL-RFHP-48FR OUTLINE
 TAMAÑO: C NUMERO DE DIBUJO: OYK1056
 ESCALA: NONE HOJA: 1

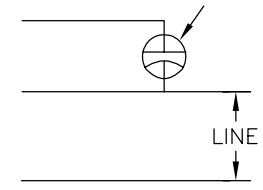
C31559	63.2 OZ. FT.	97AC495A	E46412	PRGY2	LR43341	4211-01
--------	--------------	----------	--------	-------	---------	---------

4 3 2 1

版本	ECO	编制	日期	批准	日期
B	0024331	A.CHEN	03-08-2012	B.SHEN	03-08-2012



MODEL NO.: F48K40A01
 CUST. P/N: OYK1056
 HP: 1/2
 ROT.: CWLE
 RPM: 1050
 TYPE: UF
 FRAME: 48Y
 VOLTS: 230
 PH: 1
 AMPS: 4.3
 HZ: 60
 INS.: B
 AMB.: 40° C
 DUTY: AIR OVER
 CAP.: 5 MFD/370V
 ENCL: SEMI-ENCL.
 UL LOGO
 CSA LOGO
 THERMALLY PROTECTED



614131-003

	33.0/36.0	
	[838/914]	
	33.0/36.0	
	[838/914]	
	42.0/45.0	
	[1067/1143]	

DISTRIBUTION SERVICES

C31559	63.2 OZ. FT.	97AC495A	E46412	PRGY2	LR43341	4211-01
--------	--------------	----------	--------	-------	---------	---------

形位公差	ASME Y14.5M 1994
□ 平面度	
— 直线度	
∠ 倾斜度	
⊥ 垂直度	
// 平行度	
○ 圆度	
⊘ 圆柱度	
△ 面轮廓度	
∩ 线轮廓度	
↗ 圆跳动	
⊕ 位置度	
⊙ 同轴度	
≡ 对称度	

REGAL-BELOIT CORPORATION (RBC) 在个别领域为客户提供技术支持。鉴于RBC未收到任何涉及电机使用和应用环境的数据，电机的适用性由客户自己决定。

未注公差尺寸仅供参考。

绘图:	A.CHEN	03-08-2012
批准:	B.SHEN	03-08-2012
第三角投影		图纸格式发布日期 11-11-2011 图纸格式版本 G
机密:	本图纸及相关信息所有权归REGAL-BELOIT CORPORATION。未经REGAL-BELOIT CORPORATION书面授权，不得泄露、复制或作其他用途。—版权所有	

名称	MODEL-RFHP-48FR OUTLINE
图幅	C
图号	OYK1056
比例	NONE
页号	1

4 3 2 1