

4

3

2

1

REV	ECO	REV BY	DATE	APPD	DATE
C	0025564	J.M.RAMIREZ	04-25-2012	R.RASCON	04-25-2012

GENERAL INFORMATION:

SHAFT RUNOUT: .001[.03] T.I.R. PER INCH LENGTH OF EXTENSION.

END PLAY: .010 TO .063 [.25 TO 16.0]

BEARINGS: SLEEVE

MOUNTING POSITION: VERTICAL SHAFT DOWN

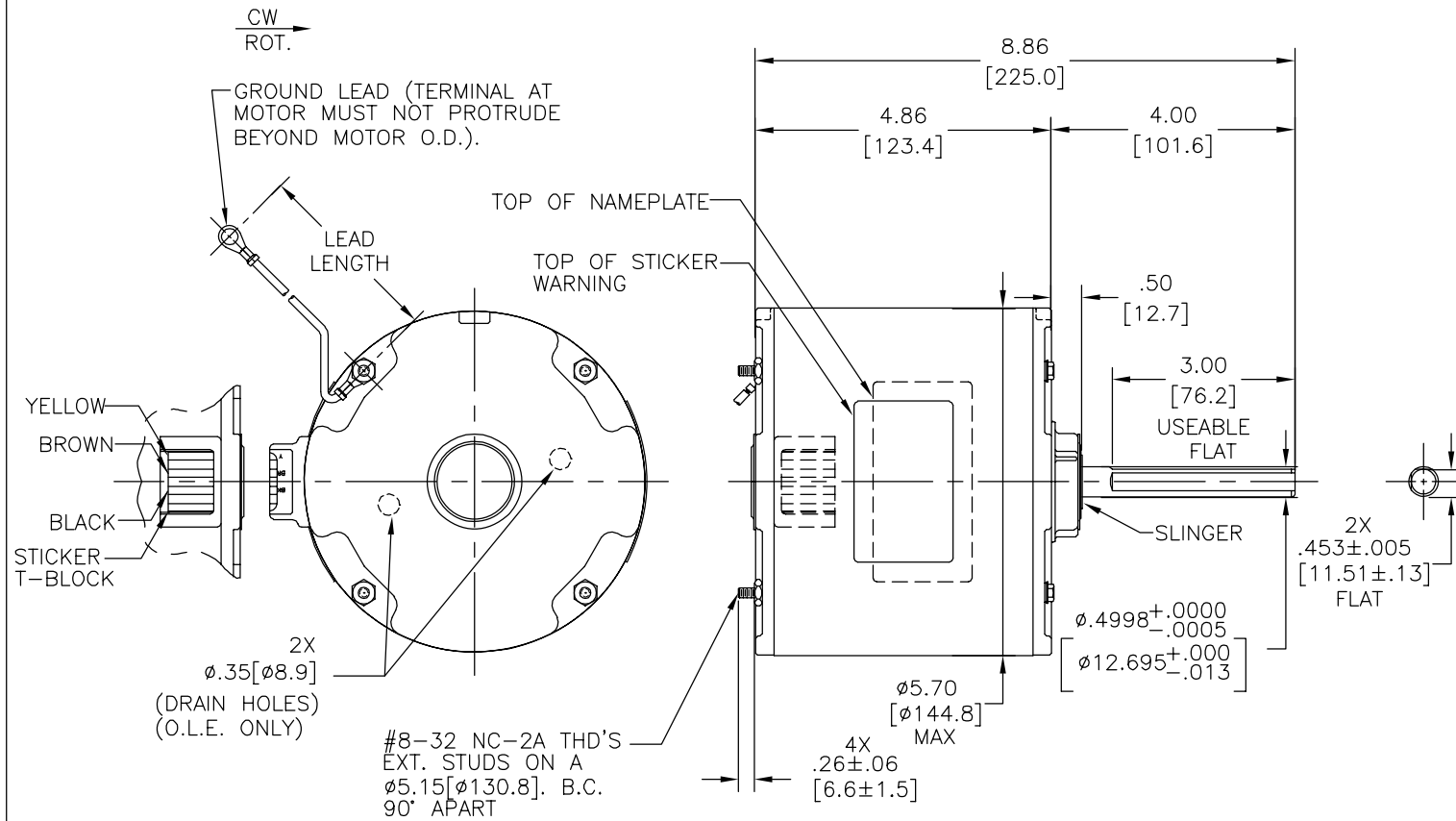
ELECTRICAL DATA:

OVERLOAD PROTECTOR: AUTOMATIC RESET (T.I. 7AM 036)

GROUND LEAD: NO. 16 GA. .03[.8] THK., (GREEN) INSULATION

NOTES:

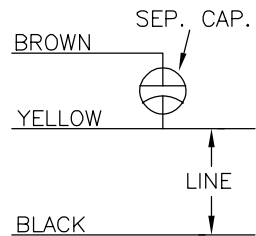
- DISTRIBUTION: CUST. P/N: OYK1056V1
GRAINGER: CUST. P/N: 4UY48



NAMEPLATE DATA:

EXTERNAL CONNECTION DIAGRAM

MODEL NO.: F48V09A01
CUST. P/N: []
HP: 1/2
ROT: CWLE
RPM: 1090
TYPE: UF
FRAME: 48Y
VOLTS: 208-230
PH: 1
AMPS: 2.2-2.5
HZ: 60
INS: B
AMB: 40°C
DUTY: AIR OVER
CAP.: 7.5 MFD/370 V
ENCL: ENCLOSED
UL & CSA LOGOS
THERMALLY PROTECTED



614131-003

TERMINAL BLOCK	YELLOW (#1)	.25[6.4]	MALE TAB
	BROWN (#2)	.25[6.4]	MALE TAB
	BLACK (#3)	.25[6.4]	MALE TAB
	CODE STRIP IDENTIFICATION		TERMINAL
GREEN (GRD)	6/7[152/178]	.25[6.4]	RING

MAIN FRAME - OLE	ENCLOSED
END FRAME - OLE	ENCLOSED WITH DRAIN HOLES
MAIN FRAME - LE	ENCLOSED
END FRAME - LE	ENCLOSED

CUST.	DISTRIBUTION SERVICE
-------	----------------------

PERFORMANCE CURVE NO.	TORQUE @ 1090 RPM (25°C)	APPROVED SAMPLE	UL COMPONENT		CSA	
C32292	37.8 OZ.FT.	0442683B	FILE #	GUIDE #	FILE #	GUIDE #
			E46412	PRGY2	LR43341	260-Ø-0

GEOMETRIC CHARACTERISTICS & SYMBOLS
 □ FLATNESS
 - STRAIGHTNESS
 < ANGLARITY
 ⊥ PERPENDICULARITY (SQUARENESS)
 // PARALLELISM
 ○ ROUNDNESS (CIRCULARITY)
 ∅ CYLINDRICITY
 △ PROFILE OF ANY SURFACE
 ∩ PROFILE OF ANY LINE
 ↗ RUNOUT
 ⊕ TRUE POSITION
 ⊙ CONCENTRICITY
 = SYMMETRY
 ASME Y14.5M 1994

REGAL-BELOIT CORPORATION (RBC) PROVIDES TECHNICAL ASSISTANCE TO OUR CUSTOMERS IN SEVERAL AREAS. SINCE RBC DOES NOT RECEIVE ALL DATA CONCERNING THE USE AND APPLICATION OF THE MOTOR, THE SUITABILITY OF THE MOTOR FOR THE APPLICATION MUST BE DETERMINED BY THE CUSTOMER.

DIMENSIONS WITHOUT TOLERANCES ARE FOR REFERENCE ONLY.

DR BY: J.RUPERT 08-13-2004
 APPD: T.RILEY 08-18-2004
 THIRD ANGLE PROJECTION
 EDS DATE 11-11-2011
 FORMAT REV G
 CONFIDENTIAL: THIS DRAWING AND ITS INFORMATION ARE THE EXCLUSIVE AND CONFIDENTIAL PROPERTY OF REGAL-BELOIT CORPORATION AND ARE NOT TO BE DISCLOSED, DUPLICATED, DISTRIBUTED OR OTHERWISE USED WITHOUT THE WRITTEN CONSENT OF REGAL-BELOIT CORPORATION. -ALL RIGHTS RESERVED.



DESCRIPTION: MODEL-RFHP-48FR OUTLINE
 SIZE: C DWG NO: 12056-071
 SCALE: NONE SHEET: 1

4

3

2

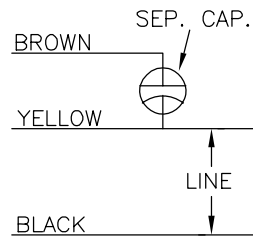
1

REVISION:	ECO	REVISADO POR:	FECHA:	APROBADO POR:	FECHA:
C	0025564	J.M.RAMIREZ	04-25-2012	R.RASCON	04-25-2012

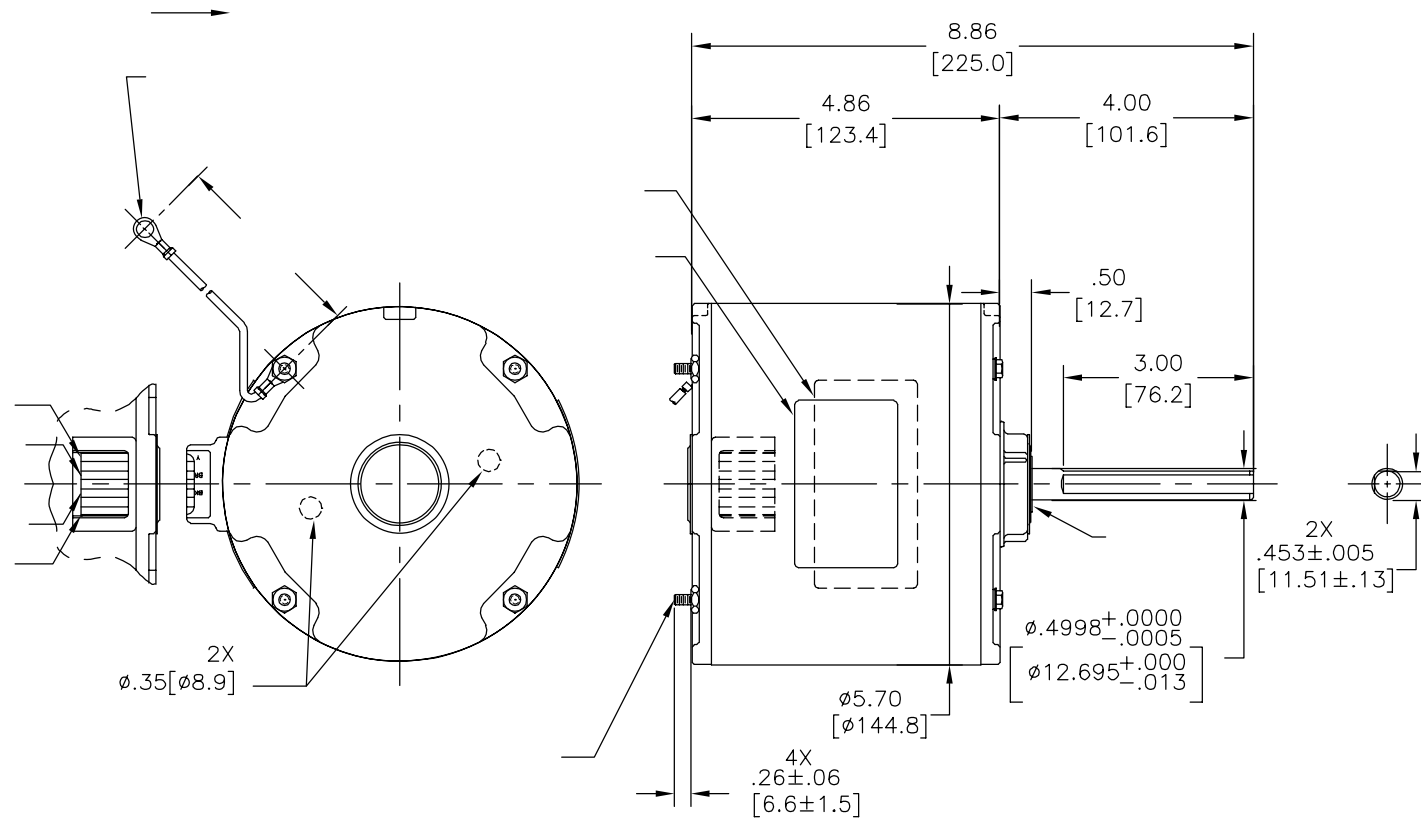
NOTES:
 1. DISTRIBUTION: CUST. P/N: OYK1056V1
 GRAINGER: CUST. P/N: 4UY48

VER NOTA

MODEL NO.: F48V09A01
 CUST. P/N: []
 HP: 1/2
 ROT: CWLE
 RPM: 1090
 TYPE: UF
 FRAME: 48Y
 VOLTS: 208-230
 PH: 1
 AMPS: 2.2-2.5
 HZ: 60
 INS: B
 AMB: 40°C
 DUTY: AIR OVER
 CAP.: 7.5 MFD/370 V
 ENCL: ENCLOSED
 UL & CSA LOGOS
 THERMALLY PROTECTED



614131-003



		.25[6.4]
		.25[6.4]
		.25[6.4]
	6/7[152/178]	.25[6.4]

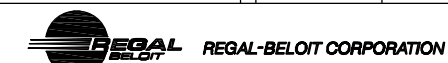
DISTRIBUTION SERVICE

CARACTERISTICAS DE GEOMETRIA Y SIMBOLOS
 □ PLANICIDAD
 — RECTITUD
 < ANGULARIDAD
 ⊥ PERPENDICULARIDAD (A ESQUADRA)
 // PARALELISMO
 ○ REDONDEZ (CIRCULARIDAD)
 ∅ CILINDRICIDAD
 △ PERFIL DE CUALQUIER SUPERFICIE
 ▲ PERFIL DE CUALQUIER LINEA
 ↗ VARIACION
 ⊕ POSICION REAL
 ⊙ CONCENTRICIDAD
 = SIMETRIA
 ASME Y14.5M 1994

REGAL-BELOIT CORPORATION (RBC)
 PROVEE ASISTENCIA TECNICA A
 NUESTROS CLIENTES EN VARIAS AREAS.
 DESDE QUE RBC NO RECIBE TODOS
 LOS DATOS EN RELACION AL USO Y A
 LA APLICACION DEL MOTOR, LA
 APLICACION ADECUADA DEL MOTOR
 DEBE SER DETERMINADA POR EL
 CLIENTE.

DIMENSIONES SIN TOLERANCIA SON
 DE REFERENCIA SOLAMENTE

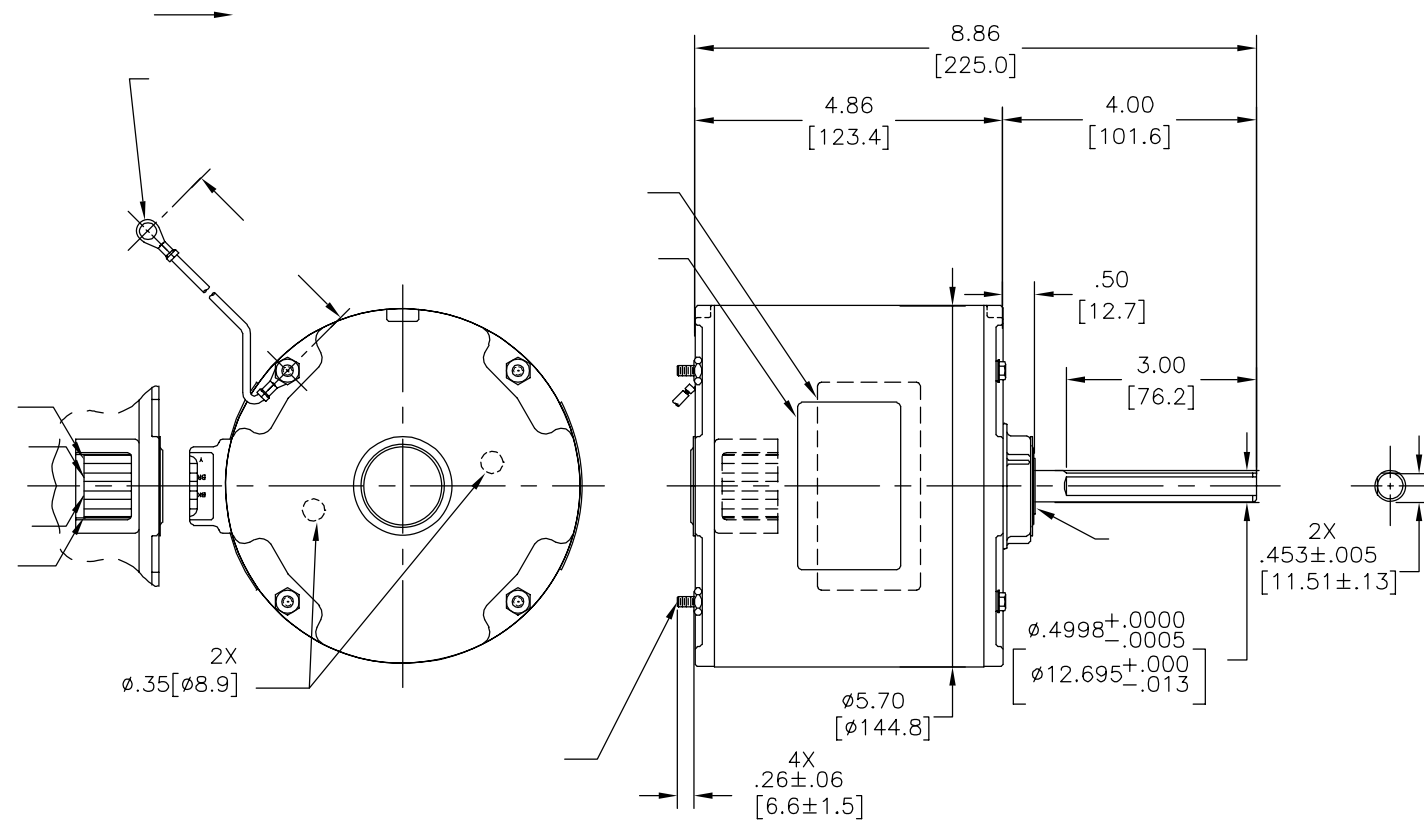
DIBUJADO POR: J.RUPERT 08-13-2004
 APROBADO POR: T.RILEY 08-18-2004
 TERCER ANGULO DE PROYECCION
 CONFIDENCIAL: ESTE DIBUJO Y SU INFORMACION SON PROPIEDAD DE USO EXCLUSIVO Y CONFIDENCIAL DE REGAL-BELOIT CORPORATION. Y NO DEBERAN SER REVELADOS, DUPLICADOS, DISTRIBUIDOS O USARSE DE OTRA MANERA SIN EL CONSENTIMIENTO ESCRITO DE REGAL-BELOIT CORPORATION. -TODOS LOS DERECHOS RESERVADOS.



DESCRIPCION: MODEL-RFHP-48FR OUTLINE
 TAMAÑO: C NUMERO DE DIBUJO: 12056-071
 ESCALA:NONE HOJA: 1

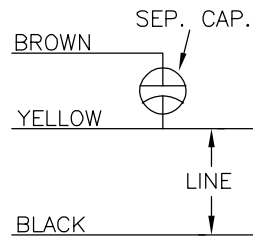
C32292	37.8 OZ.FT.	0442683B	E46412	PRGY2	LR43341	260-Ø-0	CSA
--------	-------------	----------	--------	-------	---------	---------	-----

版本	ECO	编制	日期	批准	日期
C	0025564	J.M.RAMIREZ	04-25-2012	R.RASCON	04-25-2012



NOTES:
1. DISTRIBUTION: CUST. P/N: OYK1056V1
GRAINGER: CUST. P/N: 4UY48

MODEL NO.: F48V09A01
CUST. P/N: []
HP: 1/2
ROT: CWLE
RPM: 1090
TYPE: UF
FRAME: 48Y
VOLTS: 208-230
PH: 1
AMPS: 2.2-2.5
HZ: 60
INS: B
AMB: 40°C
DUTY: AIR OVER
CAP.: 7.5 MFD/370 V
ENCL: ENCLOSED
UL & CSA LOGOS
THERMALLY PROTECTED



614131-003

		.25[6.4]
		.25[6.4]
		.25[6.4]
	6/7[152/178]	.25[6.4]

DISTRIBUTION SERVICE

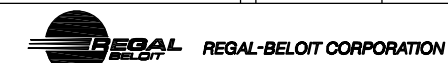
- 形位公差
- 平面度
- 直线度
- ∠ 倾斜度
- ⊥ 垂直度
- // 平行度
- 圆度
- ⊘ 圆柱度
- △ 面轮廓度
- ∩ 线轮廓度
- ↗ 圆跳动
- ⊕ 位置度
- ⊙ 同轴度
- ≡ 对称度

ASME Y14.5M 1994

REGAL-BELOIT CORPORATION (RBC) 在个别领域为客户提供技术支持。鉴于RBC未收到任何涉及电机使用和应用环境的数据，电机的适用性由客户自己决定。

未注公差尺寸仅供参考。

绘图: J.RUPERT 08-13-2004
批准: T.RILEY 08-18-2004
第三角投影
图纸格式发布日期 11-11-2011
图纸格式版本 G
机密: 本图纸及相关信息所有权归REGAL-BELOIT CORPORATION。未经REGAL-BELOIT CORPORATION书面授权, 不得泄露、复制或传播作其他用途。—版权所有



名称: MODEL-RFHP-48FR OUTLINE
图幅: C 图号: 12056-071
比例: NONE 页号: 1