

4

3

2

1

REV	ECO	REV BY	DATE	APPD	DATE
B	0024317	J.ZHU	04-09-2012	B.SHEN	04-09-2012

GENERAL INFORMATION:

SHAFT RUNOUT: .001[.03] T.I.R. PER INCH LENGTH OF EXTENSION.

END PLAY: .010[.25] TO .063[1.60]

BEARINGS: SLEEVE

MOUNTING POSITION: HORIZONTAL

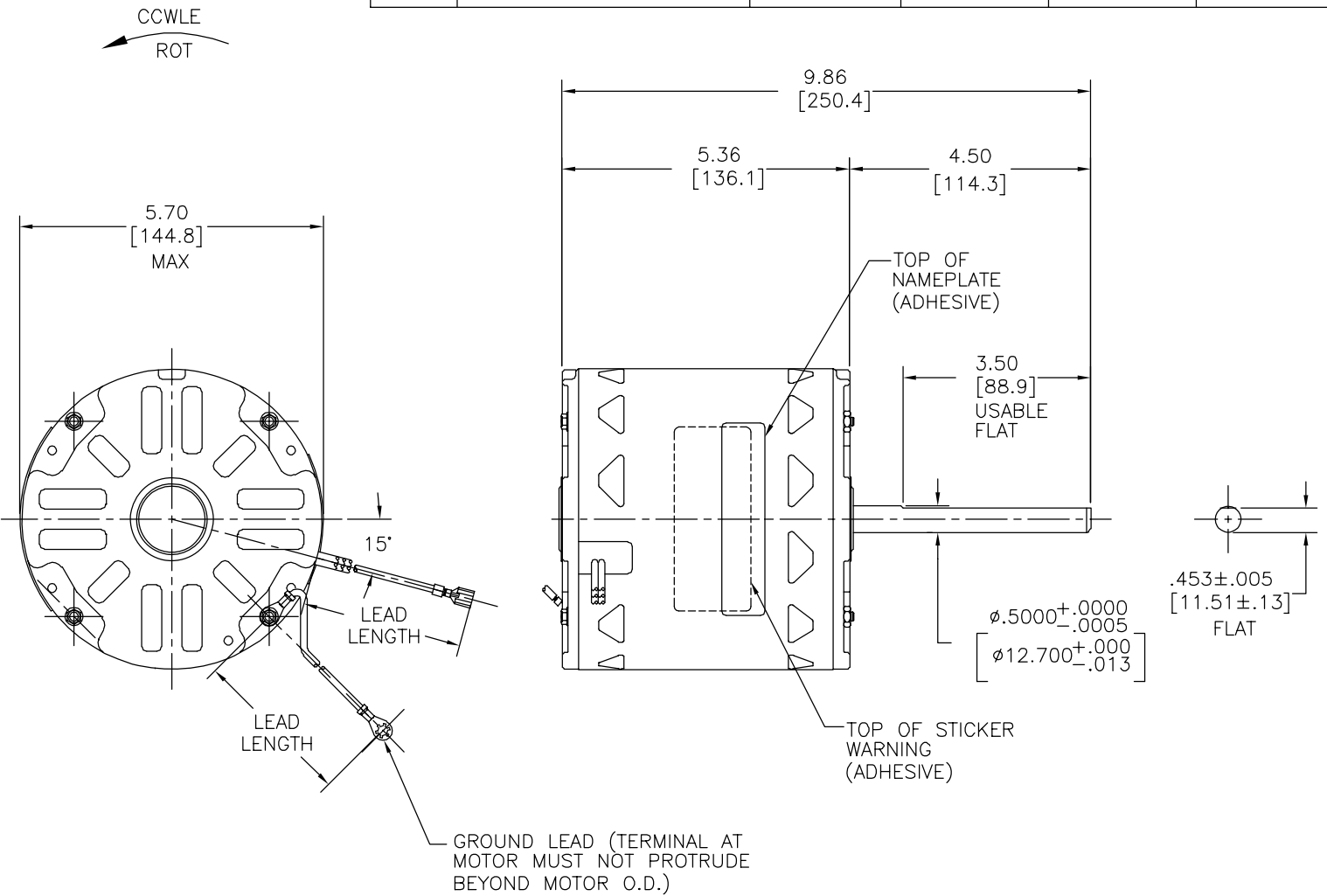
ELECTRICAL DATA:

OVERLOAD PROTECTOR: AUTOMATIC RESET (T.I. 7AM 036)

LEADS: NO. 18 GA., .06[1.5] THK., PVC 105°C INSUL.

REVERSING LEADS:

GROUND LEAD: NO. 18 GA., .03[.8] THK., (GREEN) INSUL.



NAMEPLATE DATA:	EXTERNAL CONNECTION DIAGRAM
MODEL NO.: F48V76A01 CUST. P/N: OYK1056S HP: 1/2 ROT.: CCWLE RPM: 1110/3 SPD TYPE: UF FRAME: 48Y VOLTS: 115 PH: 1 AMPS: 9.8 HZ: 60 INS.: B AMB.: 40° C DUTY: AIR OVER CAP.: 10 MFD/370V ENCL: OPEN UL LOGO CSA LOGO THERMALLY PROTECTED	

GREEN (GRD)	13.0/15.0 [330/381]	#10 EYELET
BROWN	27.0/29.0 [686/737]	.25[6.4] FEMALE SPADE
BROWN/WHITE	27.0/29.0 [686/737]	.25[6.4] FEMALE SPADE
WHITE	34.0/36.0 [864/914]	.25[6.4] FEMALE SPADE
BLACK	34.0/36.0 [864/914]	.25[6.4] FEMALE SPADE
BLUE	34.0/36.0 [864/914]	.25[6.4] FEMALE SPADE
RED	34.0/36.0 [864/914]	.25[6.4] FEMALE SPADE
COLOR	LENGTH	TERMINAL OR STRIP LENGTH

MAIN FRAME - OLE	OPEN
END FRAME - OLE	OPEN
MAIN FRAME - LE	OPEN
END FRAME - LE	OPEN

CUSTOMER	DIST. SERVICES
----------	----------------

PERFORMANCE CURVE NO.	TORQUE @ 1110 RPM (25°C)	APPROVED SAMPLE	UL COMPONENT FILE #	CCN #	CSA FILE #	CLASS #
C32399	57.2 OZ. FT.	0442680A	E46412	PRGY2	LR43341	4211-01

GEOMETRIC CHARACTERISTICS & SYMBOLS

- FLATNESS
- STRAIGHTNESS
- ∠ ANGULARITY
- ⊥ PERPENDICULARITY (SQUARENESS)
- ∥ PARALLELISM
- ROUNDNESS (CIRCULARITY)
- ⊘ CYLINDRICITY
- △ PROFILE OF ANY SURFACE
- ∩ PROFILE OF ANY LINE
- ↗ RUNOUT
- ⊕ TRUE POSITION
- ◎ CONCENTRICITY
- ≡ SYMMETRY

ASME Y14.5M 1994

REGAL-BELOIT CORPORATION (RBC) PROVIDES TECHNICAL ASSISTANCE TO OUR CUSTOMERS IN SEVERAL AREAS. SINCE RBC DOES NOT RECEIVE ALL DATA CONCERNING THE USE AND APPLICATION OF THE MOTOR, THE SUITABILITY OF THE MOTOR FOR THE APPLICATION MUST BE DETERMINED BY THE CUSTOMER.

DIMENSIONS WITHOUT TOLERANCES ARE FOR REFERENCE ONLY.

DR BY: J.ZHU 04-09-2012

APPD: B.SHEN 04-09-2012

THIRD ANGLE PROJECTION

EDS DATE 11-11-2011
FORMAT REV G

CONFIDENTIAL: THIS DRAWING AND ITS INFORMATION ARE THE EXCLUSIVE AND CONFIDENTIAL PROPERTY OF REGAL-BELOIT CORPORATION AND ARE NOT TO BE DISCLOSED, DUPLICATED, DISTRIBUTED OR OTHERWISE USED WITHOUT THE WRITTEN CONSENT OF REGAL-BELOIT CORPORATION. -ALL RIGHTS RESERVED.

REGAL-BELOIT CORPORATION

DESCRIPTION: MODEL-RFHP-48FR OUTLINE

SIZE: C DWG NO: OYK1056S

SCALE: NONE SHEET: 1

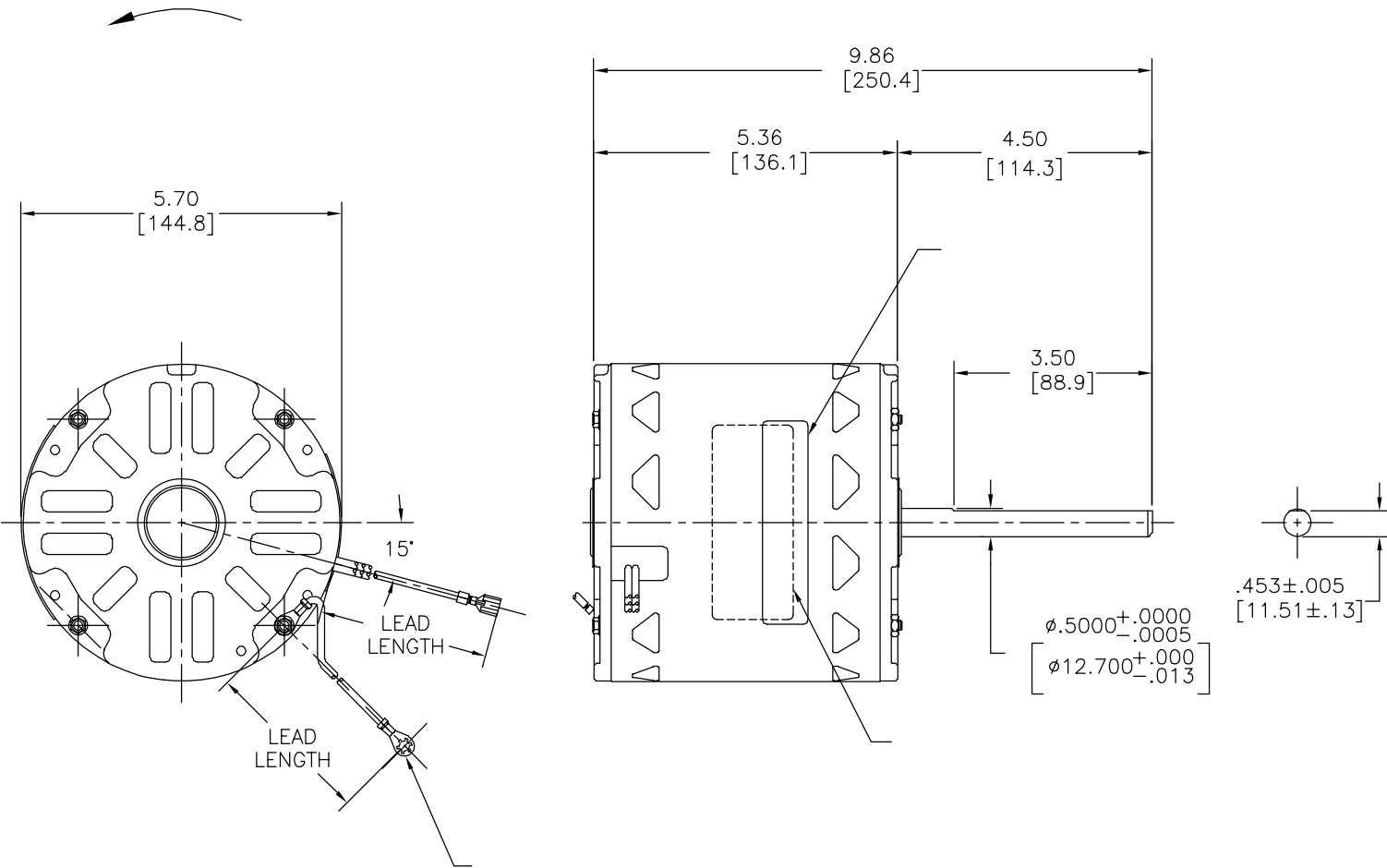
4

3

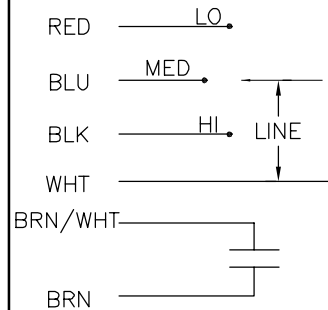
2

1

REVISION:	ECO	REVISADO POR:	FECHA:	APROBADO POR:	FECHA:
B	0024317	J.ZHU	04-09-2012	B.SHEN	04-09-2012



MODEL NO.: F48V76A01
 CUST. P/N: OYK1056S
 HP: 1/2
 ROT.: CCWLE
 RPM: 1110/3 SPD
 TYPE: UF
 FRAME: 48Y
 VOLTS: 115
 PH: 1
 AMPS: 9.8
 HZ: 60
 INS.: B
 AMB.: 40° C
 DUTY: AIR OVER
 CAP.: 10 MFD/370V
 ENCL: OPEN
 UL LOGO
 CSA LOGO
 THERMALLY PROTECTED



628642-006

	13.0/15.0	
	[330/381]	
	27.0/29.0	
	[686/737]	
	27.0/29.0	
	[686/737]	
	34.0/36.0	
	[864/914]	
	34.0/36.0	
	[864/914]	
	34.0/36.0	
	[864/914]	
	34.0/36.0	
	[864/914]	

C32399	57.2	OZ. FT.	0442680A	E46412	PRGY2	LR43341	4211-01
--------	------	---------	----------	--------	-------	---------	---------

DIST. SERVICES

CARACTERISTICAS DE GEOMETRIA Y SIMBOLOS
 ▽ PLANICIDAD
 — RECTITUD
 < ANGULARIDAD
 ⊥ PERPENDICULARIDAD (A ESCUADRA)
 // PARALELISMO
 ○ REDONDEZ (CIRCULARIDAD)
 ∅ CILINDRICIDAD
 △ PERFIL DE CUALQUIER SUPERFICIE
 ∩ PERFIL DE CUALQUIER LINEA
 ↑ VARIACION
 ⊕ POSICION REAL
 ⊙ CONCENTRICIDAD
 = SIMETRIA
 ASME Y14.5M 1994

REGAL-BELOIT CORPORATION (RBC)
 PROVEE ASISTENCIA TECNICA A
 NUESTROS CLIENTES EN VARIAS AREAS.
 DESDE QUE RBC NO RECIBE TODOS
 LOS DATOS EN RELACION AL USO Y A
 LA APLICACION DEL MOTOR, LA
 APLICACION ADECUADA DEL MOTOR
 DEBE SER DETERMINADA POR EL
 CLIENTE.

DIMENSIONES SIN TOLERANCIA SON
 DE REFERENCIA SOLAMENTE

DIBUJADO POR:
 J.ZHU
 APROBADO POR:
 B.SHEN

04-09-2012

04-09-2012

TERCER ANGULO
 DE PROYECCION



FECHA EDS: 11-11-2011
 REV. FORMATO: G



DESCRIPCION:

MODEL-RFHP-48FR
 OUTLINE

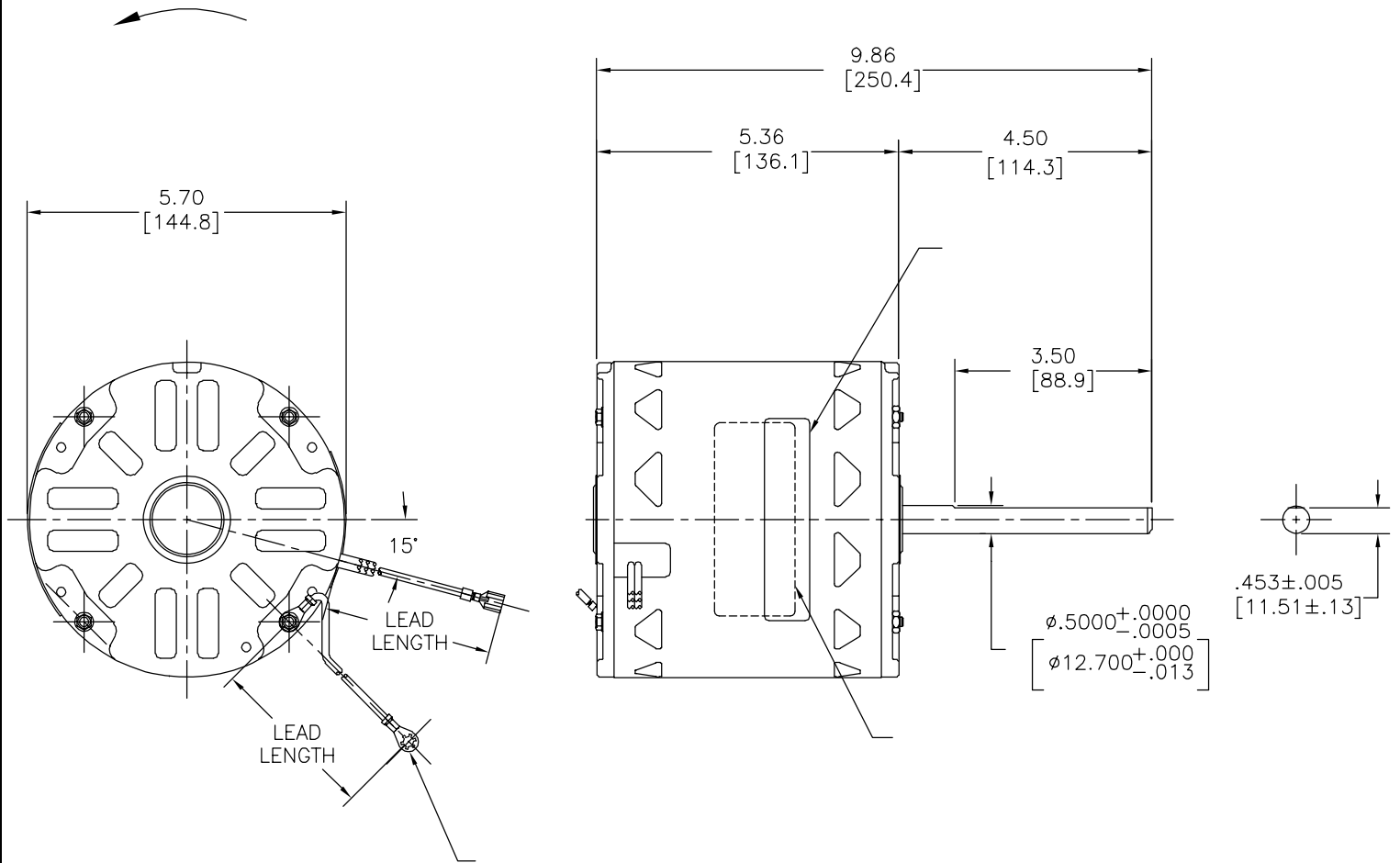
TAMAÑO: C

NUMERO DE DIBUJO:
 OYK1056S

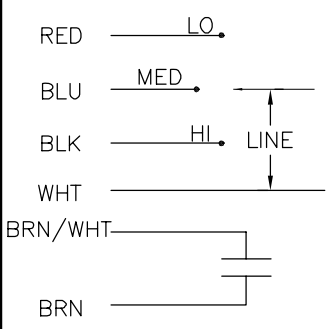
ESCALA: NONE

HOJA: 1

版本	ECO	编制	日期	批准	日期
B	0024317	J.ZHU	04-09-2012	B.SHEN	04-09-2012



MODEL NO.: F48V76A01
 CUST. P/N: OYK1056S
 HP: 1/2
 ROT.: CCWLE
 RPM: 1110/3 SPD
 TYPE: UF
 FRAME: 48Y
 VOLTS: 115
 PH: 1
 AMPS: 9.8
 HZ: 60
 INS.: B
 AMB.: 40° C
 DUTY: AIR OVER
 CAP.: 10 MFD/370V
 ENCL: OPEN
 UL LOGO
 CSA LOGO
 THERMALLY PROTECTED



628642-006

	13.0/15.0	
	[330/381]	
	27.0/29.0	
	[686/737]	
	27.0/29.0	
	[686/737]	
	34.0/36.0	
	[864/914]	
	34.0/36.0	
	[864/914]	
	34.0/36.0	
	[864/914]	
	34.0/36.0	
	[864/914]	

C32399	57.2	OZ. FT.	0442680A	E46412	PRGY2	LR43341	4211-01
--------	------	---------	----------	--------	-------	---------	---------

DIST. SERVICES

- 形位公差
- 平面度
- 直线度
- ∠ 倾斜度
- ⊥ 垂直度
- // 平行度
- 圆度
- ⊘ 圆柱度
- △ 面轮廓度
- ∩ 线轮廓度
- ↗ 圆跳动
- ⊕ 位置度
- ⊙ 同轴度
- ≡ 对称度

ASME Y14.5M 1994

REGAL-BELOIT CORPORATION (RBC) 在个别领域为客户提供技术支持。鉴于RBC未收到任何涉及电机使用和应用环境的数据，电机的适用性由客户自己决定。

未注公差尺寸仅供参考。

绘图:	J.ZHU	04-09-2012
批准:	B.SHEN	04-09-2012
第三角投影		图纸格式发布日期 11-11-2011 图纸格式版本 G
机密: 本图纸及相关信息所有权归REGAL-BELOIT CORPORATION。未经REGAL-BELOIT CORPORATION书面授权, 不得泄露、复制或传播作其他用途。一版权所有		

REGAL-BELOIT CORPORATION

名称: MODEL-RFHP-48FR OUTLINE

图号: OYK1056S

图幅: C

比例: NONE

页号: 1