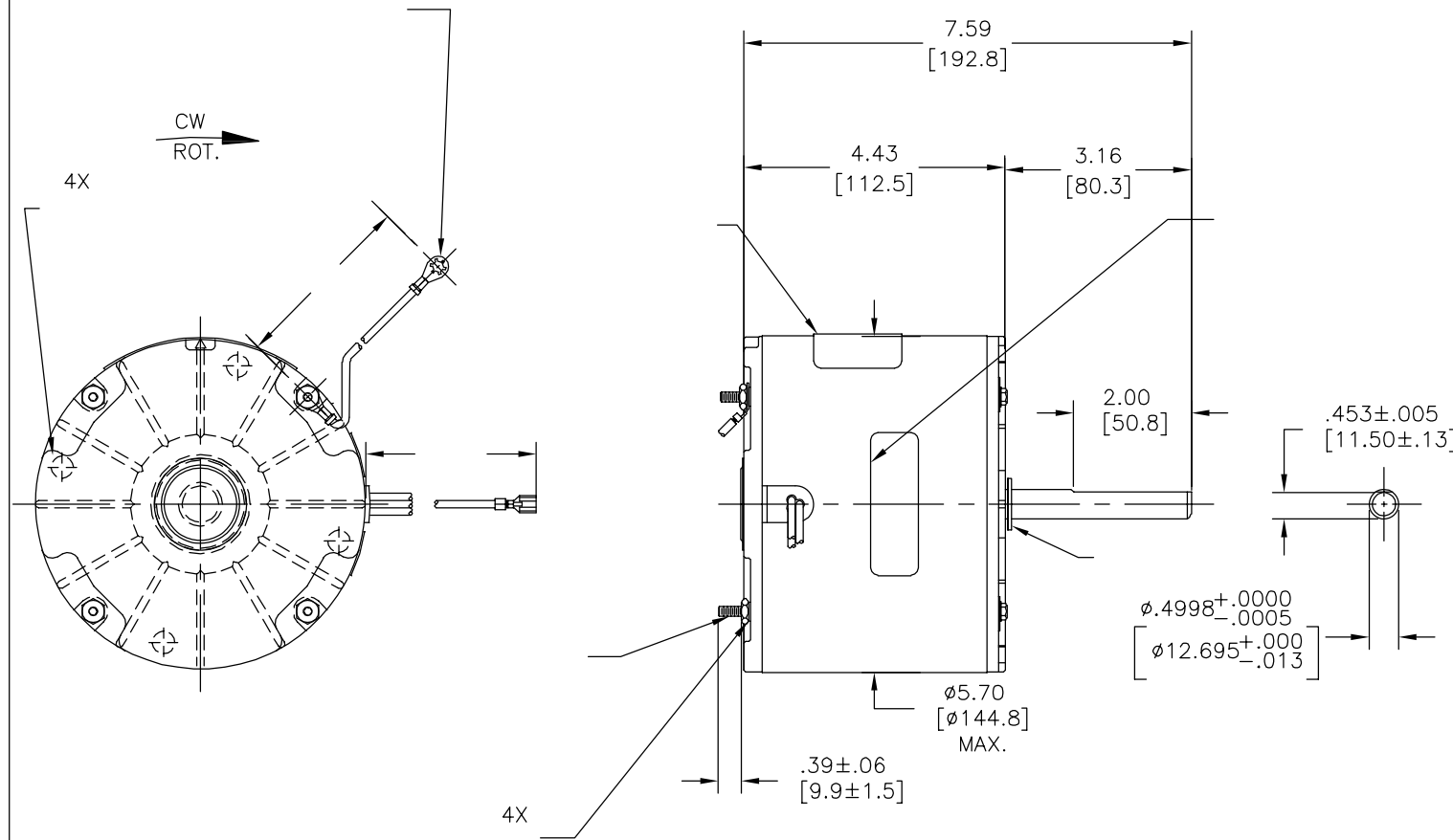
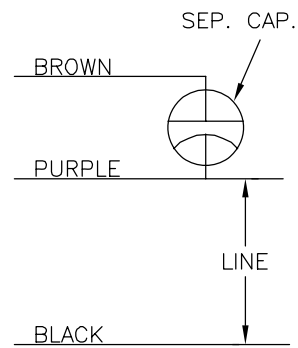


版本	ECO	编制	日期	批准	日期
H	0038708	G. RODRIGUEZ	09-25-2013	TERESITA REYES	09-25-2013



MODEL: F48B46A01
 CUST. P/N:
 HP: 1/4
 ROT: CWLE
 RPM: 850
 TYPE: FLL
 FRAME: 48Y
 VOLTS: 208/230
 PH: 1
 AMPS: 1.4
 HZ: 50/60
 INS: B
 AMB: 40°C
 DUTY: AIR OVER
 CAP.: 5 MFD/370 V
 ENCL: ENCLOSED
 UL LOGO
 CSA LOGO
 THERMALLY PROTECTED
 TYPE C



614131-030

	56/58 [1422/1473]	
	66/68 [1676/1727]	
	74/76 [1880/1930]	
	66/68 [1676/1727]	

						CSA
C30974	27.7 OZ. FT.	91AC405A	E46412	PRGY2	LR43341	260-φ-0

- 形位公差
- 平面度
- 直线度
- ∠ 倾斜度
- ⊥ 垂直度
- // 平行度
- 圆度
- ⊘ 圆孔度
- △ 面轮廓度
- ∩ 线轮廓度
- ⌒ 圆跳动
- ⊕ 位置度
- ⊙ 同轴度
- ≡ 对称度

ASME Y14.5M 1994

REGAL-BELOIT CORPORATION (RBC) 在个别领域为客户提供技术支持。鉴于 RBC 未收到任何涉及电机使用和应用环境的数据，电机的适用性由客户自己决定。

未注公差尺寸仅供参考。

绘图: RUPERT 03-23-1995
 批准: TPR 03-23-1995
 第三角投影 图纸格式发布日期 11-11-2011
 图纸格式版本 H
 机密: 本图纸及相关信息所有权归 REGAL-BELOIT CORPORATION 未经 REGAL-BELOIT CORPORATION 书面授权, 不得泄露、复制、传播或作其他用途。— 版权所有



名称: MODEL-RFHP-48FR OUTLINE
 图幅: C 图号: OYK1028
 比例: NONE 页号: 1

D
C
B
A

D
C
B
A

4
4
4
4

3
3
3
3

2
2
2
2

1
1
1
1

4

3

2

1

REV	ECO	REV BY	DATE	APPD	DATE
H	0038708	G. RODRIGUEZ	09-25-2013	TERESITA REYES	09-25-2013

GENERAL INFORMATION:

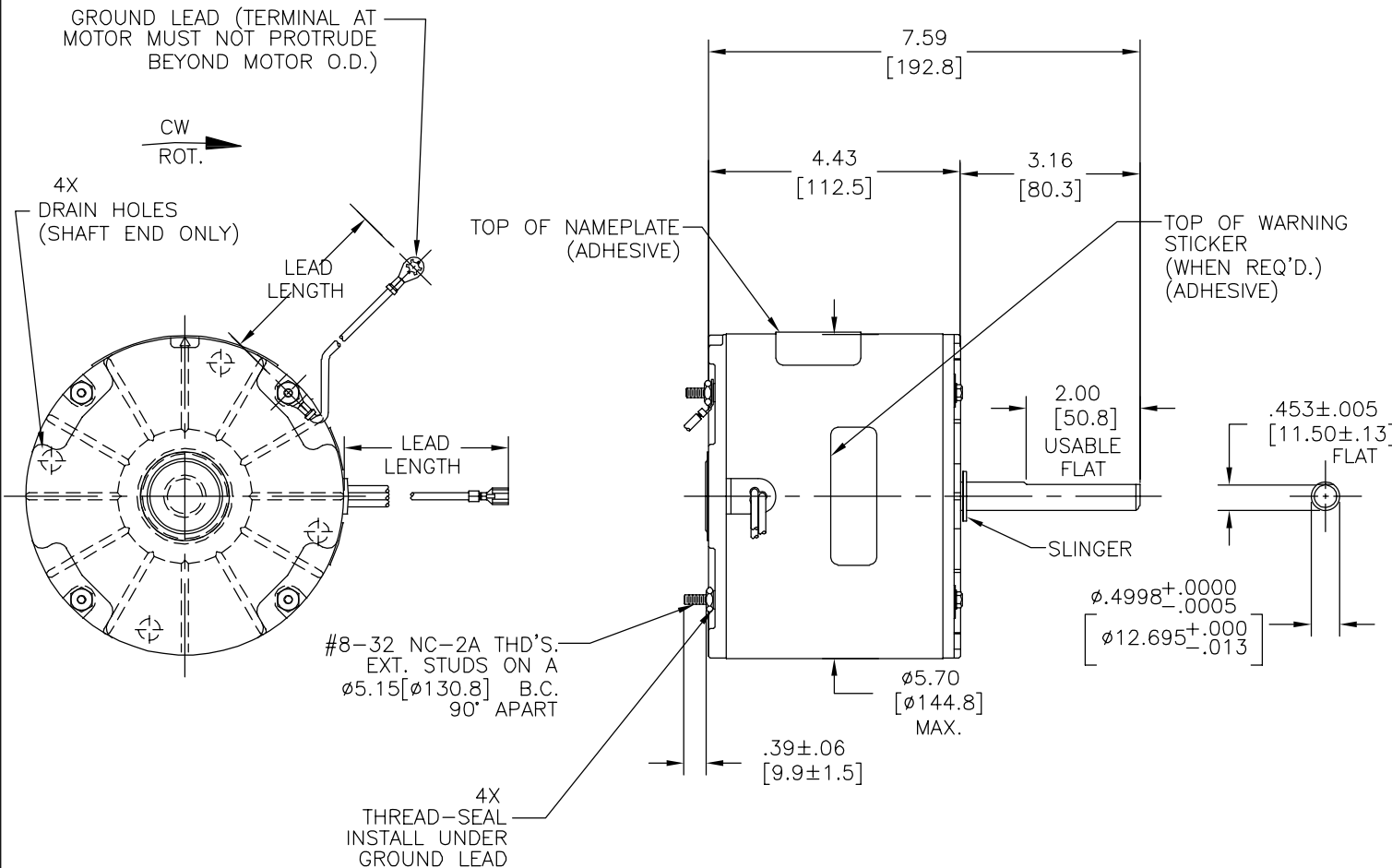
SHAFT RUNOUT: .001[.03] T.I.R. PER INCH LENGTH OF EXTENSION.
 END PLAY: .010[.25] TO .063[1.6]
 BEARINGS: SLEEVE
 MOUNTING POSITION: VERTICAL SHAFT DOWN

ELECTRICAL DATA:

OVERLOAD PROTECTOR: AUTOMATIC RESET (SENSATA 7AM 304)
 LEADS: NO. 18 GA., .06[1.5] THK., PVC 105°C INSUL.
 GROUND LEAD: NO. 18 GA., .03[.8] THK., (GREEN) INSUL.

NOTES:
 1. DISTRIBUTION CUST. P/N: OYK1028
 GRAINGER: CUST. P/N: 4UY50

SEE NOTE 1



NAMEPLATE DATA:	EXTERNAL CONNECTION DIAGRAM
MODEL: F48B46A01 CUST. P/N: [] [] [] [] [] [] [] [] [] [] HP: 1/4 ROT: CWLE RPM: 850 TYPE: FLL FRAME: 48Y VOLTS: 208/230 PH: 1 AMPS: 1.4 HZ: 50/60 INS: B AMB: 40°C DUTY: AIR OVER CAP.: 5 MFD/370 V ENCL: ENCLOSED UL LOGO CSA LOGO THERMALLY PROTECTED TYPE C	
614131-030	

GREEN (GRD)	56/58[1422/1473]	#10 EYELET
BROWN	66/68[1676/1727]	.25[6.4] FEMALE SPADE
BLACK	74/76[1880/1930]	.25[6.4] FEMALE SPADE
PURPLE	66/68[1676/1727]	.25[6.4] FEMALE SPADE
COLOR	LENGTH	TERMINAL OR STRIP LENGTH

MAIN FRAME - OLE	ENCLOSED
END FRAME - OLE	ENCLOSED (4) DRAIN HOLES
MAIN FRAME - LE	ENCLOSED
END FRAME - LE	ENCLOSED

CUST.	DISTRIBUTION SERVICE
-------	----------------------

PERFORMANCE CURVE NO.	TORQUE @ 825 RPM (25°C)	APPROVED SAMPLE	UL COMPONENT		CSA	
C30974	27.7 OZ. FT.	91AC405A	FILE #	GUIDE #	FILE #	GUIDE #
			E46412	PRGY2	LR43341	260-Ø-0

GEOMETRIC CHARACTERISTICS & SYMBOLS
 ▧ FLATNESS
 - STRAIGHTNESS
 < ANGLARITY
 ⊥ PERPENDICULARITY (SQUARENESS)
 // PARALLELISM
 ○ ROUNDNESS (CIRCULARITY)
 ⌀ CYLINDRICITY
 △ PROFILE OF ANY SURFACE
 ∇ PROFILE OF ANY LINE
 ↗ RUNOUT
 ⊕ TRUE POSITION
 ⊙ CONCENTRICITY
 = SYMMETRY
 ASME Y14.5M 1994

REGAL-BELOIT CORPORATION (RBC) PROVIDES TECHNICAL ASSISTANCE TO OUR CUSTOMERS IN SEVERAL AREAS. SINCE RBC DOES NOT RECEIVE ALL DATA CONCERNING THE USE AND APPLICATION OF THE MOTOR, THE SUITABILITY OF THE MOTOR FOR THE APPLICATION MUST BE DETERMINED BY THE CUSTOMER.
 DIMENSIONS WITHOUT TOLERANCES ARE FOR REFERENCE ONLY.

DR BY: RUPERT 03-23-1995
 APPD: TPR 03-23-1995
 THIRD ANGLE PROJECTION
 CONFIDENTIAL: THIS DRAWING AND ITS INFORMATION ARE THE EXCLUSIVE AND CONFIDENTIAL PROPERTY OF REGAL-BELOIT CORPORATION AND ARE NOT TO BE DISCLOSED, DUPLICATED, DISTRIBUTED OR OTHERWISE USED WITHOUT THE WRITTEN CONSENT OF REGAL-BELOIT CORPORATION. -ALL RIGHTS RESERVED.

REGAL REGAL-BELOIT CORPORATION

DESCRIPTION: MODEL-RFHP-48FR OUTLINE

SIZE: C DWG NO: OYK1028

SCALE: NONE SHEET: 1

4

3

2

1

REVISION:	ECO	REVISADO POR:	FECHA:	APROBADO POR:	FECHA:
H	0038708	G. RODRIGUEZ	09-25-2013	TERESITA REYES	09-25-2013

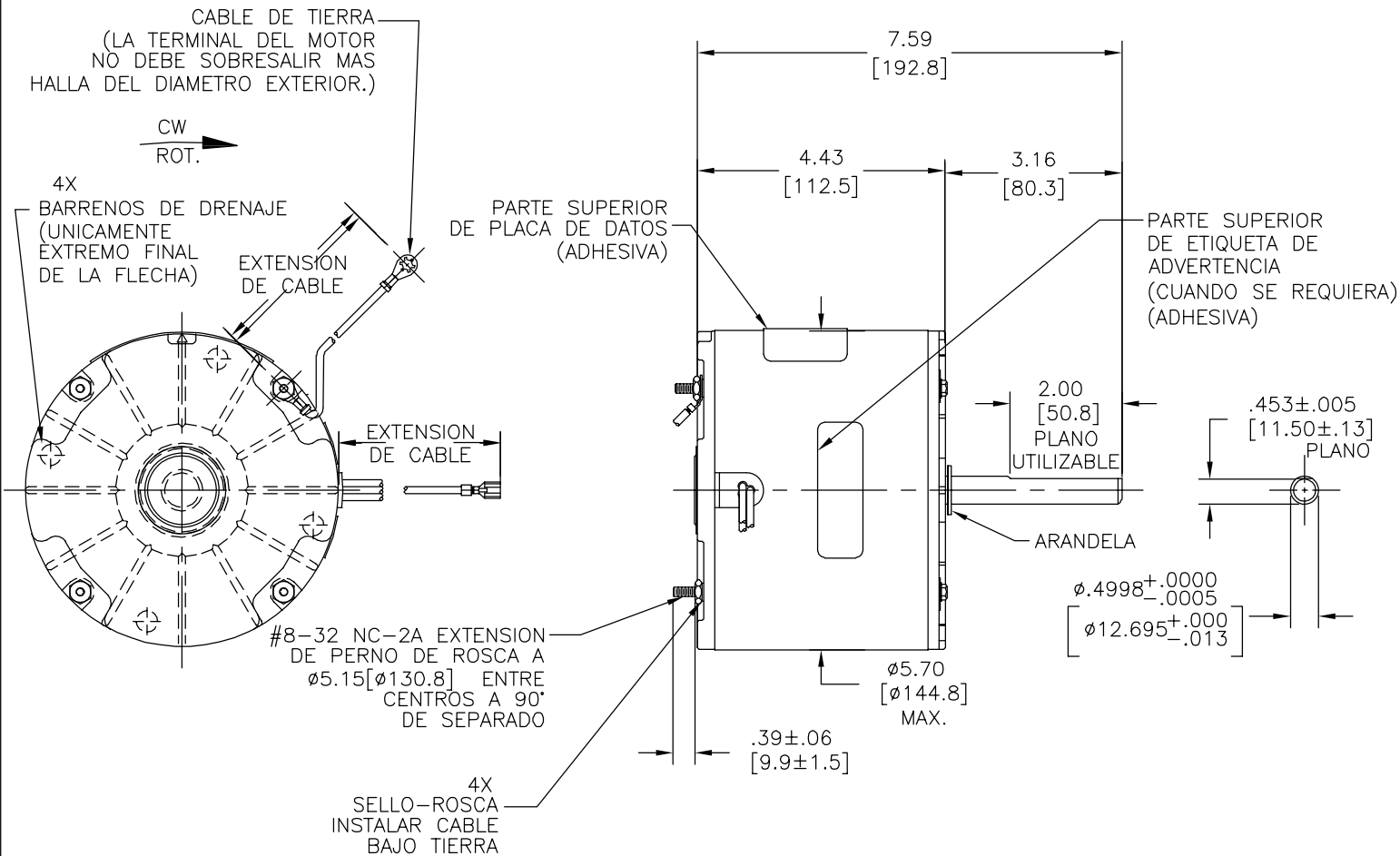
INFORMACION GENERAL:

OSCILACION DE FLECHA: .001 [.03] L.T.I. POR LONGITUD DE EXTENSION
 JUEGO AXIAL: .010 A .063 [.25 A 1.60]
 BALEROS: FUNDA
 POSICION DE MONTAJE: VERTICAL FLECHA HACIA ABAJO

INFORMACION ELECTRICA:

SOBRECARGA DEL PROTECTOR: REINICIO AUTOMATICO (SENSATA 7AM 036)
 CABLES: CALIBRE 18 AISLANTE .06 [1.5] GROSOR PVC 105°C
 CABLE DE TIERRA: CALIBRE 18 AISLANTE .03 [.8] GROSOR (VERDE)

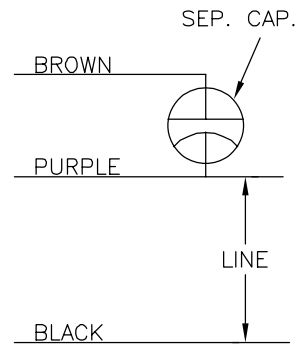
NOTAS:
 1. NO. PARTE CLIENTE DISTRIBUTION: OYK1028
 NO. PARTE CLIENTE GRAINGER: 4UY50



PLACA DE DATOS:

MODEL: F48B46A01
 CUST. P/N: []
 HP: 1/4
 ROT: CWLE
 RPM: 850
 TYPE: FLL
 FRAME: 48Y
 VOLTS: 208/230
 PH: 1
 AMPS: 1.4
 HZ: 50/60
 INS: B
 AMB: 40°C
 DUTY: AIR OVER
 CAP.: 5 MFD/370 V
 ENCL: ENCLOSED
 UL LOGO
 CSA LOGO
 THERMALLY PROTECTED
 TYPE C

DIAGRAMA DE CONEXION EXTERNA



614131-030

VERDE (TIERRA)	56/58[1422/1473]	TERMINAL DE OJO #10
CAFE	66/68[1676/1727]	.25[6.4] TERMINAL HEMBRA
NEGRO	74/76[1880/1930]	.25[6.4] TERMINAL HEMBRA
PURPURA	66/68[1676/1727]	.25[6.4] TERMINAL HEMBRA
COLOR	LONGITUD	TERMINAL O LONGITUD DE DESFORRE

CARCASA - OLE	CERRADA
TAPA - OLE	CERRADA 4X ORIFICIOS DE DRENAJE
CARCAZA - LE	CERRADA
TAPA - LE	CERRADA

CLIENTE	DISTRIBUTION SERVICE
---------	----------------------

REGAL-BELOIT CORPORATION (RBC) PROVEE ASISTENCIA TECNICA A NUESTROS CLIENTES EN VARIAS AREAS. DESDE QUE RBC NO RECIBE TODOS LOS DATOS EN RELACION AL USO Y A LA APLICACION DEL MOTOR, LA APLICACION ADECUADA DEL MOTOR DEBE SER DETERMINADA POR EL CLIENTE.

DIMENSIONES SIN TOLERANCIA SON DE REFERENCIA SOLAMENTE

DIBUJADO POR: RUPERT
 APROBADO POR: TPR
 TERCER ANGULO DE PROYECCION

03-23-1995
 03-23-1995
 FECHA EDS: 11-11-2011
 REV. FORMATO: H

CONFIDENCIAL: ESTE DIBUJO Y SU INFORMACION SON PROPIEDAD DE USO EXCLUSIVO Y CONFIDENCIAL DE REGAL-BELOIT CORPORATION. Y NO DEBERAN SER REVELADOS, DUPLICADOS, DISTRIBUIDOS O USARSE DE OTRA MANERA SIN EL CONSENTIMIENTO ESCRITO DE REGAL-BELOIT CORPORATION. -TODOS LOS DERECHOS RESERVADOS.

REGAL REGAL-BELOIT CORPORATION

DESCRIPCION: MODEL-RFHP-48FR OUTLINE

TAMAÑO: C NUMERO DE DIBUJO: OYK1028

ESCALA: NONE HOJA: 1

CARACTERISTICAS DE GEOMETRIA Y SIMBOLOS
 ▽ PLANICIDAD
 - RECTITUD
 < ANGULARIDAD
 ⊥ PERPENDICULARIDAD (A ESCUADRA)
 // PARALELISMO
 ○ REDONDEZ (CIRCULARIDAD)
 ∅ CILINDRICIDAD
 △ PERFIL DE CUALQUIER SUPERFICIE
 ∩ PERFIL DE CUALQUIER LINEA
 ∠ VARIACION
 ⊕ POSICION REAL
 ⊙ CONCENTRICIDAD
 = SIMETRIA
 ASME Y14.5M 1994