

4

3

2

1

REV	ECO	REV BY	DATE	APPD	DATE
C	0025558	O. CARVAJAL	05-03-2012	M. AVILA	05-03-2012

GENERAL INFORMATION:

SHAFT RUNOUT: .001[.03] T.I.R. PER INCH LENGTH OF EXTENSION.

END PLAY: .010 TO .063 [.25 TO 16.0]

BEARINGS: SLEEVE

MOUNTING POSITION: VERTICAL SHAFT-DOWN

ELECTRICAL DATA:

OVERLOAD PROTECTOR: AUTOMATIC RESET (T.I. 7AM 036)

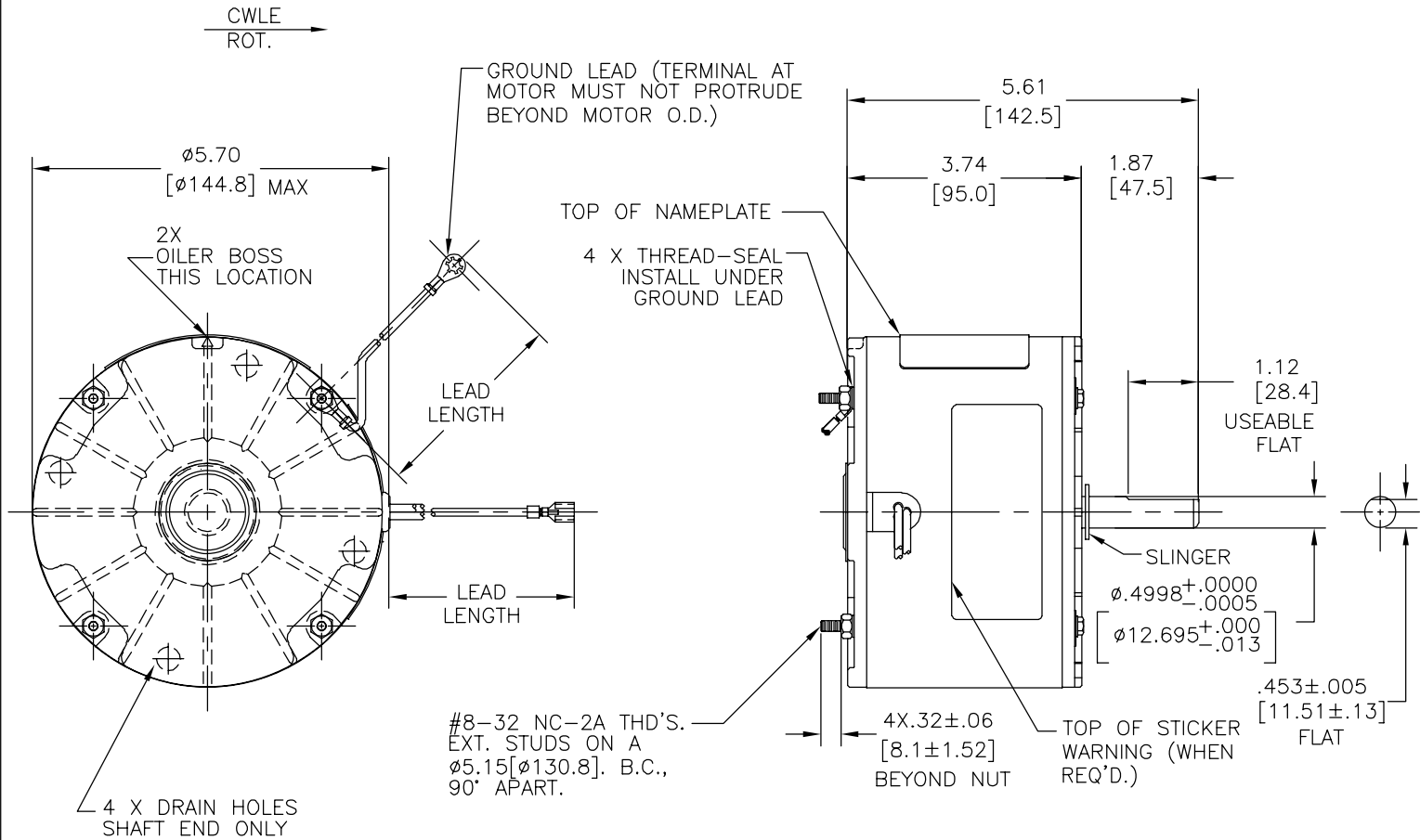
LEADS: NO. 18 GA., .06[1.5] THK., PVC 105°C INSUL.

GROUND LEAD: NO. 18 GA., .03[.8] THK., (GREEN) INSUL.

NOTES:

- DISTRIBUTION: CUST. P/N: OYK1006  
GRAINGER: CUST. P/N: 4UY49

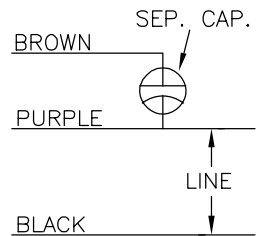
SEE NOTE 1



NAMEPLATE DATA:

MODEL: F48M21A01  
CUST. P/N: [ ]  
HP: 1/8  
ROT: CWLE  
RPM: 1075  
TYPE: UF  
FRAME: 48Y  
VOLTS: 208-230  
PH: 1  
AMPS: 0.8  
HZ: 60  
INS: B  
AMB: 40°C  
DUTY: AIR OVER  
CODE: -  
CAP.: 4 MFD/370V  
ENCL: ENCLOSED  
UL LOGO  
CSA LOGO  
THERMALLY PROTECTED

EXTERNAL CONNECTION DIAGRAM



614131-030

GREEN (GRD)	49/51[1245/1295]	#10 EYELET
BROWN	56/58[1422/1473]	.25[6.4] FEMALE SPADE
PURPLE	56/58[1422/1473]	.25[6.4] FEMALE SPADE
BLACK	58/60[1473/1524]	.25[6.4] FEMALE SPADE
COLOR	LENGTH	TERMINAL OR STRIP LENGTH

MAIN FRAME - OLE	ENCLOSED
END FRAME - OLE	ENCLOSED (4) DRAIN HOLES
MAIN FRAME - LE	ENCLOSED
END FRAME - LE	ENCLOSED

CUST.	DISTRIBUTION SERVICES
-------	-----------------------

PERFORMANCE CURVE NO.	TORQUE @ 1075 RPM (25°C)	APPROVED SAMPLE	UL COMPONENT FILE #	GUIDE #	CSA FILE #	GUIDE #
C31722	9.7 OZ. FT.	98AC370A	E46412	PRGY2	LR43341	260-0-0

GEOMETRIC CHARACTERISTICS & SYMBOLS  
 □ FLATNESS  
 - STRAIGHTNESS  
 < ANGLARITY  
 ⊥ PERPENDICULARITY (SQUARENESS)  
 // PARALLELISM  
 ○ ROUNDNESS (CIRCULARITY)  
 ∅ CYLINDRICITY  
 △ PROFILE OF ANY SURFACE  
 ∩ PROFILE OF ANY LINE  
 ↗ RUNOUT  
 ⊕ TRUE POSITION  
 ⊙ CONCENTRICITY  
 = SYMMETRY  
 ASME Y14.5M 1994

REGAL-BELOIT CORPORATION (RBC) PROVIDES TECHNICAL ASSISTANCE TO OUR CUSTOMERS IN SEVERAL AREAS. SINCE RBC DOES NOT RECEIVE ALL DATA CONCERNING THE USE AND APPLICATION OF THE MOTOR, THE SUITABILITY OF THE MOTOR FOR THE APPLICATION MUST BE DETERMINED BY THE CUSTOMER.  
 DIMENSIONS WITHOUT TOLERANCES ARE FOR REFERENCE ONLY.

DR BY: W. HEATH 10-26-1998  
 APPD: T. RILEY 10-28-1998  
 THIRD ANGLE PROJECTION  
 EDS DATE 11-11-2011  
 FORMAT REV G  
 CONFIDENTIAL: THIS DRAWING AND ITS INFORMATION ARE THE EXCLUSIVE AND CONFIDENTIAL PROPERTY OF REGAL-BELOIT CORPORATION AND ARE NOT TO BE DISCLOSED, DUPLICATED, DISTRIBUTED OR OTHERWISE USED WITHOUT THE WRITTEN CONSENT OF REGAL-BELOIT CORPORATION. -ALL RIGHTS RESERVED.

REGAL-BELOIT CORPORATION  
 DESCRIPTION: MODEL-RFHP-48FR OUTLINE  
 SIZE: C DWG NO: 11779-026  
 SCALE: NONE SHEET: 1

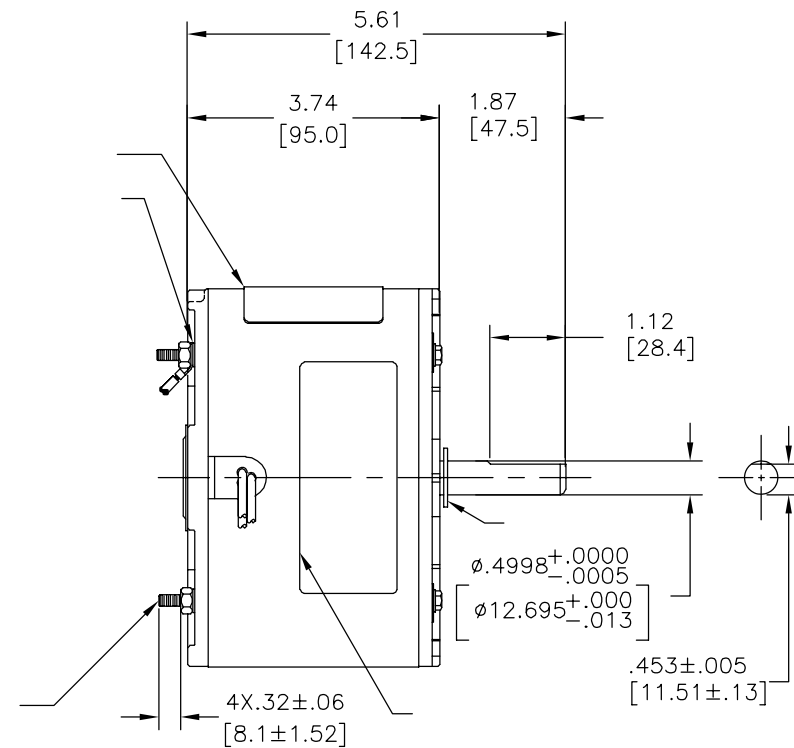
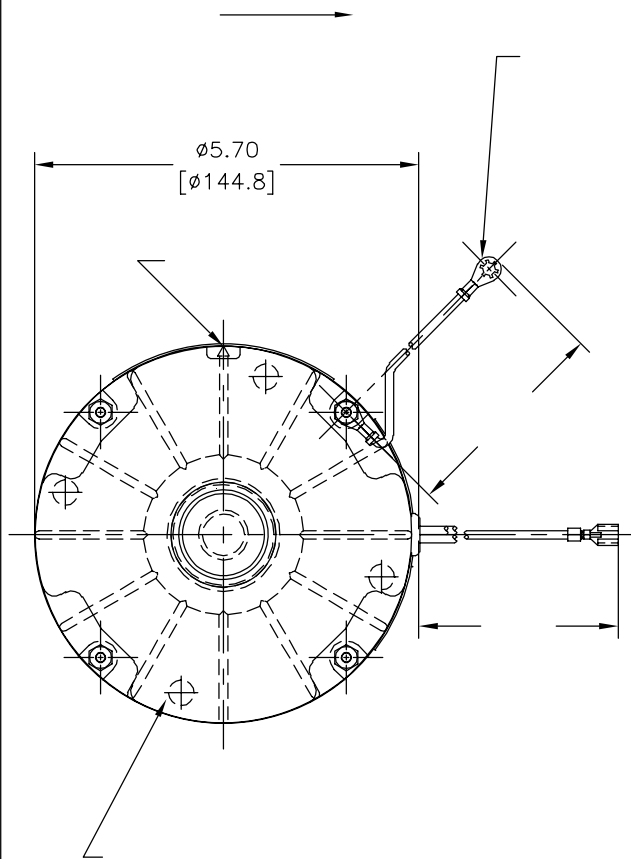
4

3

2

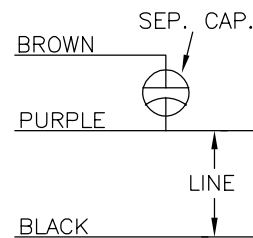
1

REVISION:	ECO	REVISADO POR:	FECHA:	APROBADO POR:	FECHA:
C	0025558	O. CARVAJAL	05-03-2012	M. AVILA	05-03-2012



SEE NOTE 1

MODEL: F48M21A01  
 CUST. P/N: [ ]  
 HP: 1/8  
 ROT: CWLE  
 RPM: 1075  
 TYPE: UF  
 FRAME: 48Y  
 VOLTS: 208-230  
 PH: 1  
 AMPS: 0.8  
 HZ: 60  
 INS: B  
 AMB: 40°C  
 DUTY: AIR OVER  
 CODE: -  
 CAP.: 4 MFD/370V  
 ENCL: ENCLOSED  
 UL LOGO  
 CSA LOGO  
 THERMALLY PROTECTED



614131-030

	49/51 [1245/1295]	
	56/58 [1422/1473]	.25 [6.4]
	56/58 [1422/1473]	.25 [6.4]
	58/60 [1473/1524]	.25 [6.4]


DISTRIBUTION SERVICES

CARACTERISTICAS DE GEOMETRIA Y SIMBOLOS  
 □ PLANICIDAD  
 - RECTITUD  
 < ANGULARIDAD  
 ⊥ PERPENDICULARIDAD (A ESCUADRA)  
 // PARALELISMO  
 ○ REDONDEZ (CIRCULARIDAD)  
 ∅ CILINDRICIDAD  
 △ PERFIL DE CUALQUIER SUPERFICIE  
 ∩ PERFIL DE CUALQUIER LINEA  
 ↗ VARIACION  
 ⊕ POSICION REAL  
 ⊙ CONCENTRICIDAD  
 = SIMETRIA  
 ASME Y14.5M 1994

REGAL-BELOIT CORPORATION (RBC)  
 PROVEE ASISTENCIA TECNICA A NUESTROS CLIENTES EN VARIAS AREAS. DESDE QUE RBC NO RECIBE TODOS LOS DATOS EN RELACION AL USO Y A LA APLICACION DEL MOTOR, LA APLICACION ADECUADA DEL MOTOR DEBE SER DETERMINADA POR EL CLIENTE.

DIMENSIONES SIN TOLERANCIA SON DE REFERENCIA SOLAMENTE

DIBUJADO POR: W. HEATH  
 APROBADO POR: T. RILEY

10-26-1998

TERCER ANGULO DE PROYECCION

FECHA EDS: 11-11-2011  
 REV. FORMATO: G

CONFIDENCIAL: ESTE DIBUJO Y SU INFORMACION SON PROPIEDAD DE USO EXCLUSIVO Y CONFIDENCIAL DE REGAL-BELOIT CORPORATION. Y NO DEBERAN SER REVELADOS, DUPLICADOS, DISTRIBUIDOS O USARSE DE OTRA MANERA SIN EL CONSENTIMIENTO ESCRITO DE REGAL-BELOIT CORPORATION. -TODOS LOS DERECHOS RESERVADOS.



DESCRIPCION:

MODEL-RFHP-48FR  
 OUTLINE

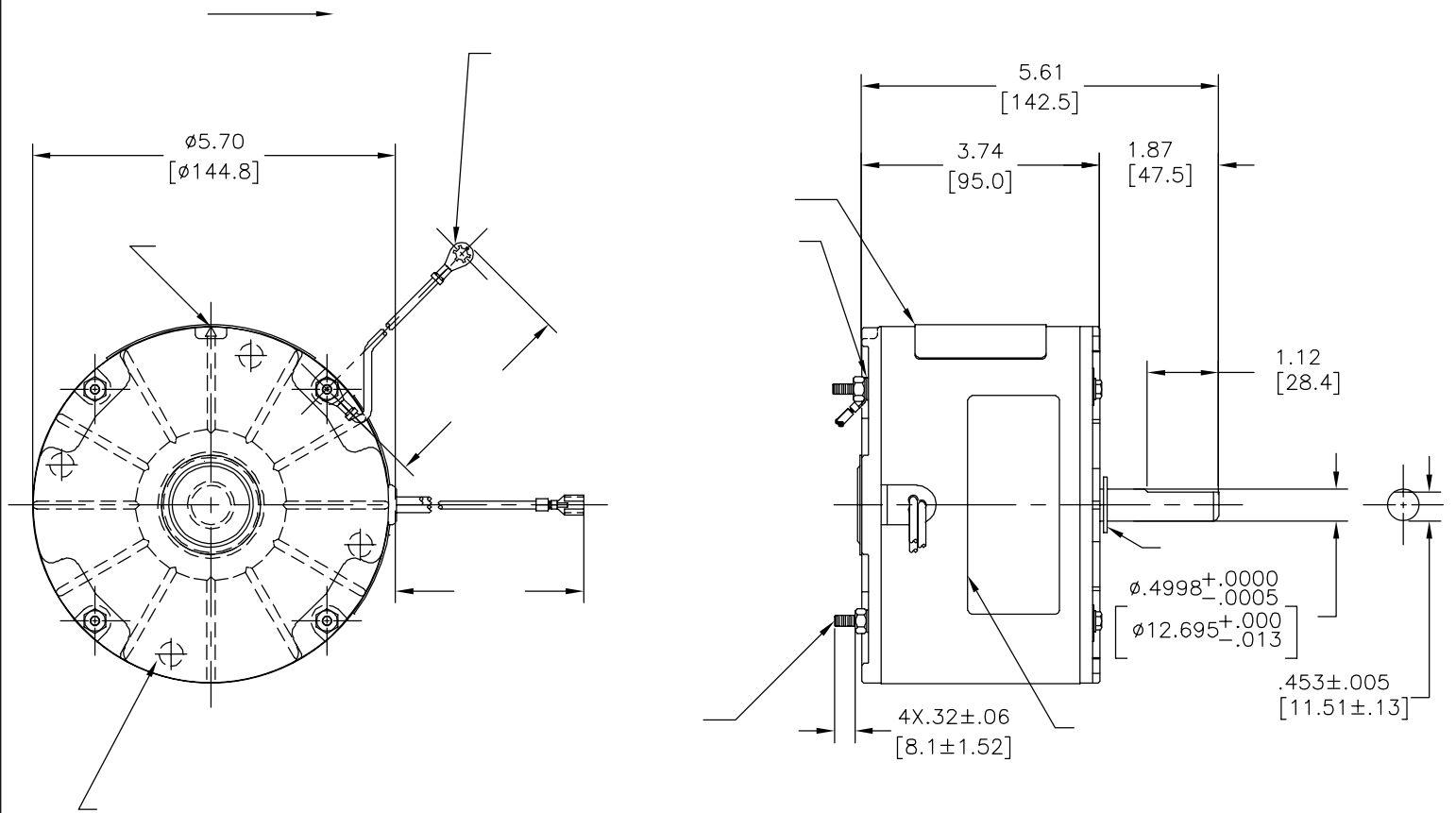
TAMAÑO: C

NUMERO DE DIBUJO: 11779-026

ESCALA: NONE

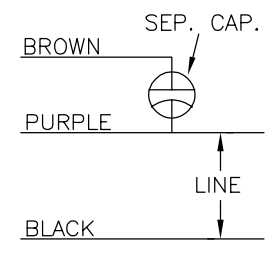
HOJA: 1

版本	ECO	编制	日期	批准	日期
C	0025558	O. CARVAJAL	05-03-2012	M. AVILA	05-03-2012



SEE NOTE 1

MODEL: F48M21A01  
 CUST. P/N: [ ]  
 HP: 1/8  
 ROT: CWLE  
 RPM: 1075  
 TYPE: UF  
 FRAME: 48Y  
 VOLTS: 208-230  
 PH: 1  
 AMPS: 0.8  
 HZ: 60  
 INS: B  
 AMB: 40°C  
 DUTY: AIR OVER  
 CODE: -  
 CAP.: 4 MFD/370V  
 ENCL: ENCLOSED  
 UL LOGO  
 CSA LOGO  
 THERMALLY PROTECTED



614131-030

	49/51 [1245/1295]	
	56/58 [1422/1473]	.25 [6.4]
	56/58 [1422/1473]	.25 [6.4]
	58/60 [1473/1524]	.25 [6.4]

						CSA
C31722	9.7 OZ. FT.	98AC370A	E46412	PRGY2	LR43341	260-Ø-0

- 形位公差
- 平面度
- 直线度
- ∠ 倾斜度
- ⊥ 垂直度
- // 平行度
- 圆度
- ⊘ 圆柱度
- ⊖ 面轮廓度
- ⌒ 线轮廓度
- ↗ 圆跳动
- ⊕ 位置度
- ⊙ 同轴度
- ≡ 对称度

ASME Y14.5M 1994

REGAL-BELOIT CORPORATION (RBC) 在个别领域为客户提供技术支持。鉴于RBC未收到任何涉及电机使用和应用环境的数据，电机的适用性由客户自己决定。

未注公差尺寸仅供参考。

绘图: W. HEATH 10-26-1998  
 批准: T. RILEY 10-28-1998  
 第三角投影  
 图纸格式发布日期 11-11-2011  
 图纸格式版本 G  
 机密: 本图纸及相关信息所有权归REGAL-BELOIT CORPORATION。未经REGAL-BELOIT CORPORATION书面授权, 不得泄露、复制、传播或作其他用途。—版权所有



MODEL-RFHP-48FR  
 OUTLINE

名称	MODEL-RFHP-48FR OUTLINE	
图幅	C	图号 11779-026
比例	NONE	页号 1

4

3

2

1

4

3

2

1