

REV	ECO	REV BY	DATE	APPD	DATE
E	0025558	O. CARVAJAL	05-03-2012	M. AVILA	05-03-2012

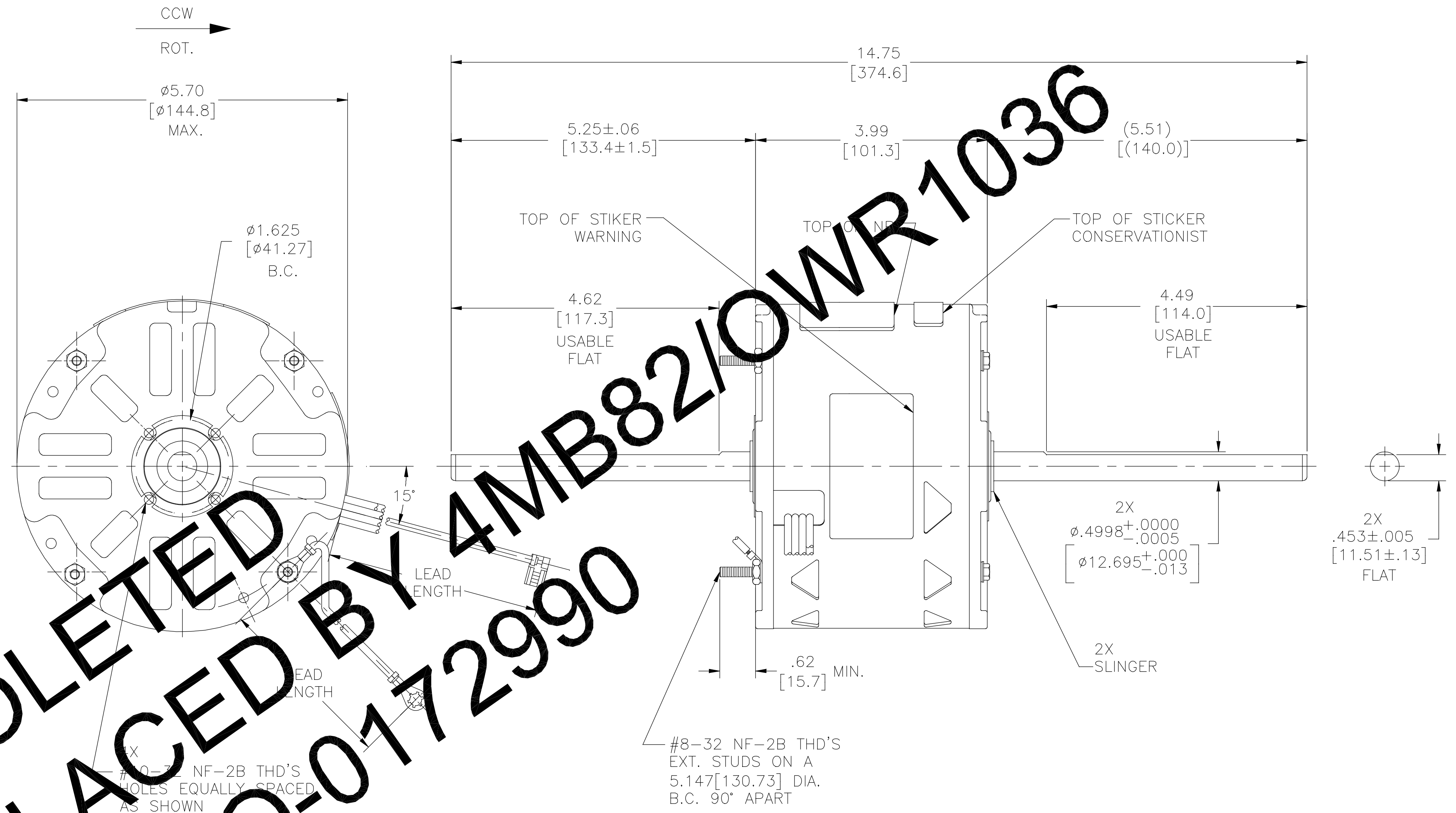
GENERAL INFORMATION:

SHAFT RUNOUT: .001 [.03] T.I.R. PER INCH LENGTH OF EXTENSION
 END PLAY: .010 TO .063 [.25 TO 1.60]
 BEARINGS: SLEEVE
 MOUNTING POSITION: HORIZONTAL

ELECTRICAL DATA:

OVERLOAD PROTECTOR: AUTOMATIC RESET (T.I. 7AM 036)
 LEADS: NO. 18 GA., .06[1.5] THK. 105° PVC INSUL.
 GROUND LEAD: NO. 18 GA., .03[.8] THK. GREEN INSUL.

NOTE:
 1. DISTRIBUTION PART NUMBER: OWR1036
 GRAINGER PART NUMBER: 4MB82



OBSOLETE
 REPLACED BY 4MB8210WR1036
 PER ECO-0172990

COLOR	LENGTH	TERMINAL OR STRIP LENGTH
GREEN (GROUND)	12/13 [305/330]	#10 EYELET
BROWN	41/44 [1041/1118]	.25[6.3] FLAG
WHITE	41/44 [1041/1118]	.25[6.3] FLAG
BLUE	41/44 [1041/1118]	.25[6.3] FLAG
YELLOW	41/44 [1041/1118]	.25[6.3] FLAG
ORANGE	41/44 [1041/1118]	.25[6.3] FLAG

LEAD DATA

NAMEPLATE DATA: MODEL NO.: F48SG6L14
 CUST. P/N: []
 HP: 1/3
 ROT.: CCWLE
 RPM: 1100/3 SPD
 TYPE: UF
 FRAME: 48Y
 VOLTS: 208-230
 PH: 1
 AMPS: 1.5 (1.9 MAX.)
 HZ: 60
 INS.: B
 AMB.: 60 °C
 DUTY: AIR OVER
 CODE: -
 CAP.: 5 MFD/370V
 CSA LOGO
 UL LOGO
 THERMALLY PROTECTED

EXTERNAL CONNECTION DIAGRAM

 614131-096

PERFORMANCE CURVE NO.	TORQUE @ 1100 RPM (25°C)	APPROVED SAMPLE	UL COMPONENT FILE #	GUIDE#	CSA FILE #	GUIDE #
C23431	22.8 OZ. FT.	EX11525	E46412	PRGY2	LR43341	260-φ-0

GEOMETRIC CHARACTERISTICS & SYMBOLS
 ▮ FLATNESS
 — STRAIGHTNESS
 ∠ ANGULARITY
 ⊥ PERPENDICULARITY (SQUARENESS)
 // PARALLELISM
 ○ ROUNDNESS (CIRCULARITY)
 ⌀ CYLINDRICITY
 △ PROFILE OF ANY SURFACE
 ∩ PROFILE OF ANY LINE
 ↗ RUNOUT
 ⊕ TRUE POSITION
 ⊙ CONCENTRICITY
 = SYMMETRY
 ASME Y14.5M 1994

REGAL-BELOIT CORPORATION (RBC) PROVIDES TECHNICAL ASSISTANCE TO OUR CUSTOMERS IN SEVERAL AREAS. SINCE RBC DOES NOT RECEIVE ALL DATA CONCERNING THE USE AND APPLICATION OF THE MOTOR, THE SUITABILITY OF THE MOTOR FOR THE APPLICATION MUST BE DETERMINED BY THE CUSTOMER.
 DIMENSIONS WITHOUT TOLERANCES ARE FOR REFERENCE ONLY.

DR BY: HEATH	04-15-1992
APPD: DHC	08-31-1992
THIRD ANGLE PROJECTION	EDS DATE 11-11-2011 FORMAT REV G

MAIN FRAME - OLE	SEMI-ENCLOSED
END FRAME - OLE	OPEN
MAIN FRAME - LE	SEMI-ENCLOSED
END FRAME - LE	OPEN

CUSTOMER: [] DISTRIBUTION SERVICES: []

REGAL-BELOIT CORPORATION
 DESCRIPTION: MODEL-RFHP-48FR OUTLINE
 SIZE: D DWG NO: 11932-001
 SCALE: NONE SHEET 1