

4

3

2

1

REV	ECO	REV BY	DATE	APPD	DATE
B	ECO-0024313	T.HUANG	02-14-2011	B.C.SHEN	02-14-2011

GENERAL INFORMATION:

SHAFT RUNOUT: .001[.03] T.I.R. PER INCH LENGTH OF EXTENSION

END PLAY: .010[.25] TO .063[1.60]

BEARINGS: SLEEVE

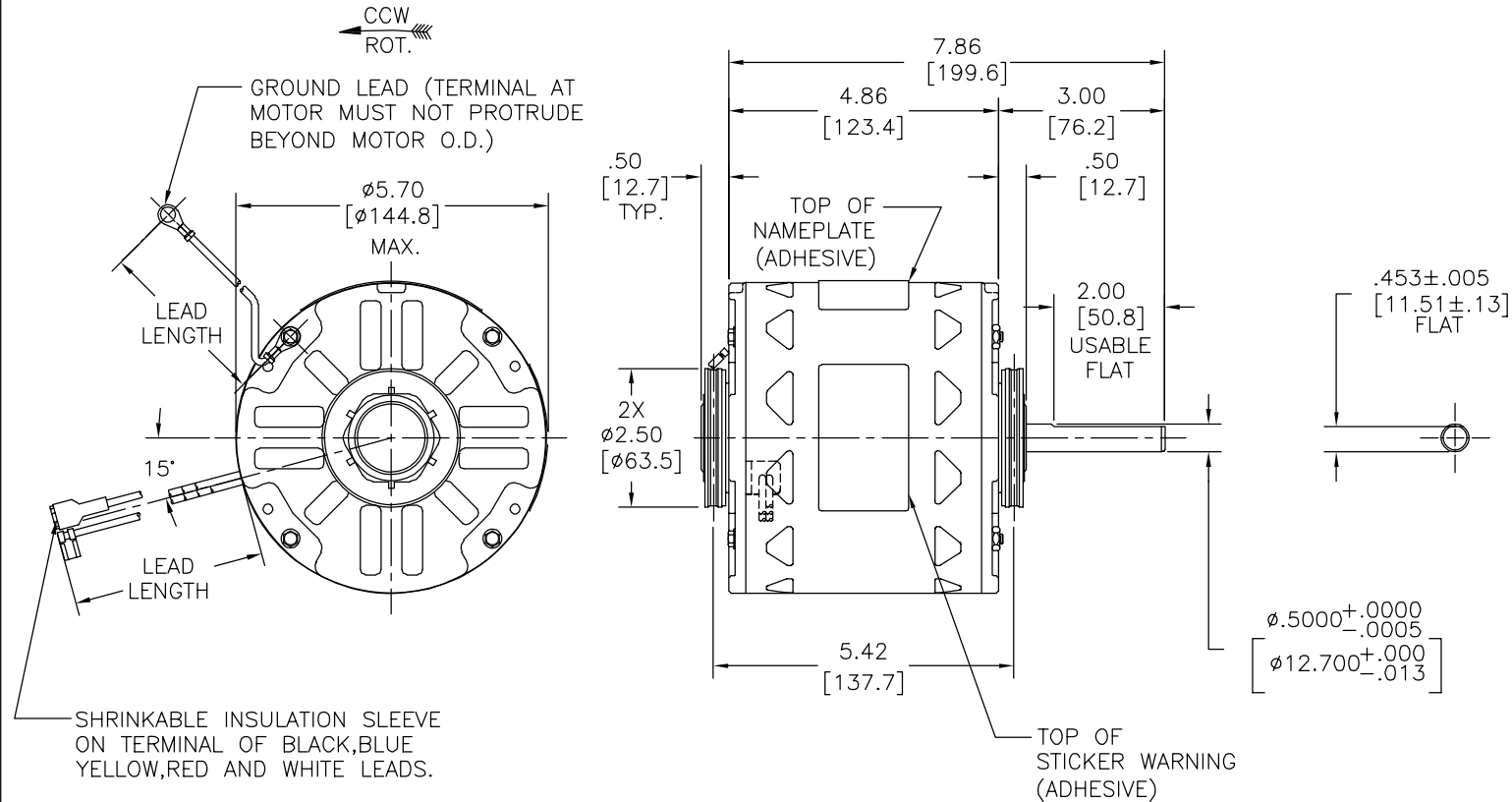
MOUNTING POSITION: ALL ANGLE

ELECTRICAL DATA:

OVERLOAD PROTECTOR: AUTOMATIC RESET (T.I. 7AM 036)

LEADS: NO. 18 GA., .06[1.5] THK. PVC 125°C INSUL.

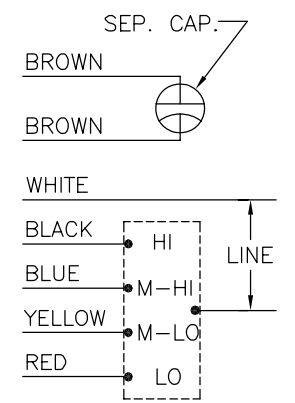
GROUND LEAD: NO. 18 GA., .03[.8] THK., (GREEN) INSUL.



NAMEPLATE DATA:

EXTERNAL CONNECTION DIAGRAM

MODEL NO.: F48V75A01  
 CUST. P/N: OTR1036  
 HP: 1/3  
 ROT.: CCWLE  
 RPM: 1075/4 SPD.  
 TYPE: UF  
 FRAME: 48Y  
 VOLTS: 115  
 PH: 1  
 AMPS: 6.8  
 HZ: 60  
 INS.: B  
 AMB.: 40° C  
 DUTY: AIR OVER  
 CAP.: 10 MFD/370V  
 ENCL: OPEN  
 UL LOGO  
 CSA LOGO  
 THERMALLY PROTECTED



614131-088

GREEN (GROUND)	5.0/7.0 [127/178]	.25[6.4] RING
BROWN	13.0/15.0 [330/381]	.25[6.4] FLAG
BROWN	13.0/15.0 [330/381]	.25[6.4] FLAG
BLACK	23.0/25.0 [584/635]	.25[6.4] FEMALE SPADE
BLUE	23.0/25.0 [584/635]	.25[6.4] FEMALE SPADE
YELLOW	23.0/25.0 [584/635]	.25[6.4] FEMALE SPADE
RED	23.0/25.0 [584/635]	.25[6.4] FEMALE SPADE
WHITE	23.0/25.0 [584/635]	.25[6.4] FEMALE SPADE
COLOR	LENGTH	TERMINAL OR STRIP LENGTH

MAIN FRAME - OLE	OPEN
END FRAME - OLE	OPEN
MAIN FRAME - LE	OPEN
END FRAME - LE	OPEN

CUSTOMER	DISTRIBUTION SERVICE
----------	----------------------

PERFORMANCE CURVE NO.	TORQUE @ 1075 RPM (25°C)	APPROVED SAMPLE	UL COMPONENT FILE #	CCN #	CSA FILE #	CLASS #
C31907	41.7 OZ. FT.	99AC408AY	E46412	PRGY2	LR43341	4211-01

GEOMETRIC CHARACTERISTICS & SYMBOLS

- FLATNESS
- STRAIGHTNESS
- ANGULARITY
- PERPENDICULARITY (SQUARENESS)
- PARALLELISM
- ROUNDNESS (CIRCULARITY)
- CYLINDRICITY
- PROFILE OF ANY SURFACE
- PROFILE OF ANY LINE
- RUNOUT
- TRUE POSITION
- CONCENTRICITY
- SYMMETRY

ASME Y14.5M 1994

REGAL-BELOIT CORPORATION (RBC) PROVIDES TECHNICAL ASSISTANCE TO OUR CUSTOMERS IN SEVERAL AREAS. SINCE RBC DOES NOT RECEIVE ALL DATA CONCERNING THE USE AND APPLICATION OF THE MOTOR, THE SUITABILITY OF THE MOTOR FOR THE APPLICATION MUST BE DETERMINED BY THE CUSTOMER.

DIMENSIONS WITHOUT TOLERANCES ARE FOR REFERENCE ONLY.

DR BY: T.HUANG 02-14-2011

APPD: B.C.SHEN 02-14-2011

THIRD ANGLE PROJECTION

EDS DATE 11-11-2011

FORMAT REV G

CONFIDENTIAL: THIS DRAWING AND ITS INFORMATION ARE THE EXCLUSIVE AND CONFIDENTIAL PROPERTY OF REGAL-BELOIT CORPORATION AND ARE NOT TO BE DISCLOSED, DUPLICATED, DISTRIBUTED OR OTHERWISE USED WITHOUT THE WRITTEN CONSENT OF REGAL-BELOIT CORPORATION. -ALL RIGHTS RESERVED.

**REGAL-BELOIT CORPORATION**

DESCRIPTION: MODEL-RFHP-48FR OUTLINE

SIZE: C DWG NO: OTR1036

SCALE: NONE SHEET: 1

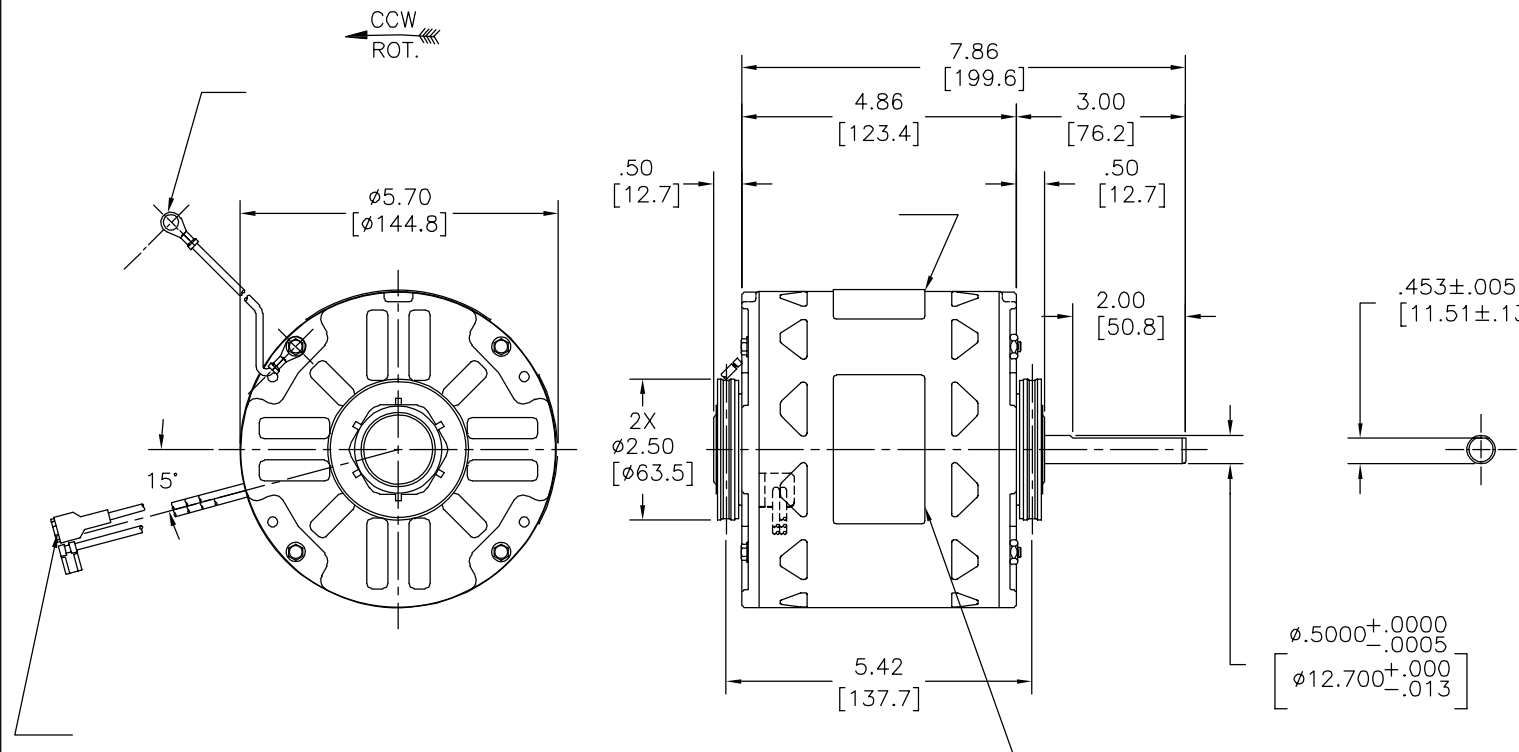
4

3

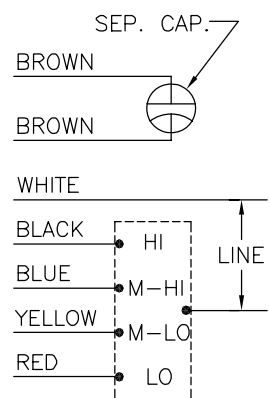
2

1

REVISION: ECO	REVISADO POR: T.HUANG	FECHA: 02-14-2011	APROBADO POR: B.C.SHEN	FECHA: 02-14-2011
B	ECO-0024313			



MODEL NO.: F48V75A01  
 CUST. P/N: OTR1036  
 HP: 1/3  
 ROT.: CCWLE  
 RPM: 1075/4 SPD.  
 TYPE: UF  
 FRAME: 48Y  
 VOLTS: 115  
 PH: 1  
 AMPS: 6.8  
 HZ: 60  
 INS.: B  
 AMB.: 40° C  
 DUTY: AIR OVER  
 CAP.: 10 MFD/370V  
 ENCL: OPEN  
 UL LOGO  
 CSA LOGO  
 THERMALLY PROTECTED



614131-088

	5.0/7.0	
	[127/178]	
	13.0/15.0	
	[330/381]	
	13.0/15.0	
	[330/381]	
	23.0/25.0	
	[584/635]	
	23.0/25.0	
	[584/635]	
	23.0/25.0	
	[584/635]	
	23.0/25.0	
	[584/635]	
	23.0/25.0	
	[584/635]	

C31907 41.7 OZ. FT. 99AC408AY E46412 PRGY2 LR43341 4211-01

DISTRIBUTION SERVICE

CARACTERISTICAS DE GEOMETRIA Y SIMBOLOS

- PLANICIDAD
- RECTITUD
- ∠ ANGULARIDAD
- ⊥ PERPENDICULARIDAD (A ESCUADRA)
- // PARALELISMO
- REDONDEZ (CIRCULARIDAD)
- ⊘ CILINDRICIDAD
- △ PERFIL DE CUALQUIER SUPERFICIE
- ∧ PERFIL DE CUALQUIER LINEA
- ∧ VARIACION
- ⊕ POSICION REAL
- ◎ CONCENTRICIDAD
- = SIMETRIA

ASME Y14.5M 1994

REGAL-BELOIT CORPORATION (RBC) PROVEE ASISTENCIA TECNICA A NUESTROS CLIENTES EN VARIAS AREAS. DESDE QUE RBC NO RECIBE TODOS LOS DATOS EN RELACION AL USO Y A LA APLICACION DEL MOTOR, LA APLICACION ADECUADA DEL MOTOR DEBE SER DETERMINADA POR EL CLIENTE.

DIMENSIONES SIN TOLERANCIA SON DE REFERENCIA SOLAMENTE

DIBUJADO POR: T.HUANG 02-14-2011

APROBADO POR: B.C.SHEN 02-14-2011

TERCER ANGULO DE PROYECCION

FECHA EDS: 11-11-2011

REV. FORMATO: G

CONFIDENCIAL: ESTE DIBUJO Y SU INFORMACION SON PROPIEDAD DE USO EXCLUSIVO Y CONFIDENCIAL DE REGAL-BELOIT CORPORATION. Y NO DEBERAN SER REVELADOS, DUPLICADOS, DISTRIBUIDOS O USARSE DE OTRA MANERA SIN EL CONSENTIMIENTO ESCRITO DE REGAL-BELOIT CORPORATION. -TODOS LOS DERECHOS RESERVADOS.

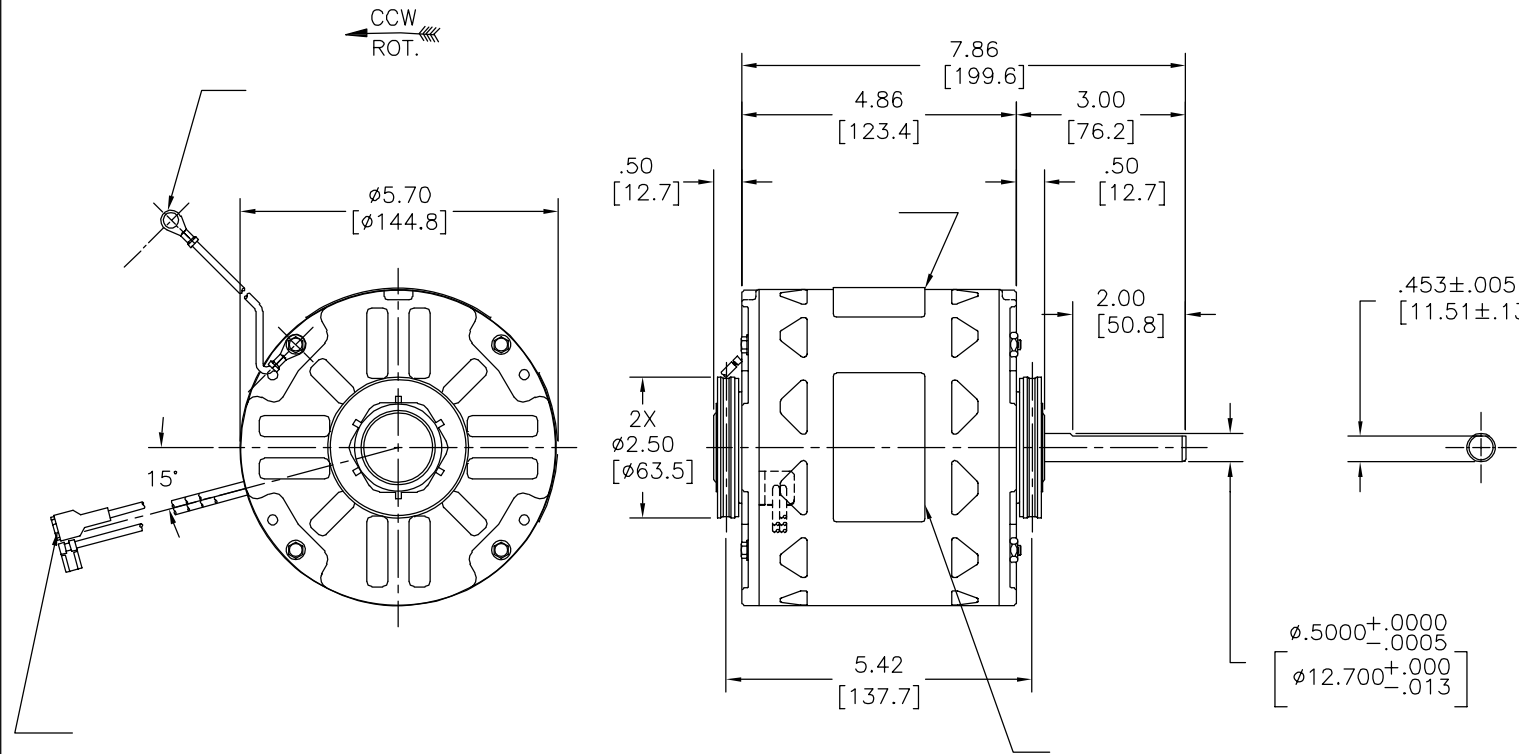


DESCRIPCION: MODEL-RFHP-48FR OUTLINE

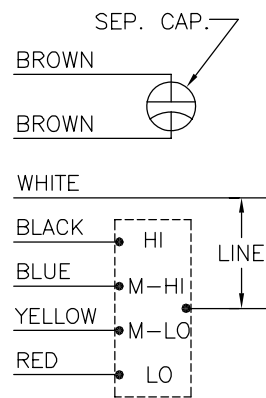
TAMAÑO: C NUMERO DE DIBUJO: OTR1036

ESCALA: NONE HOJA: 1

版本	ECO	编制	日期	批准	日期
B	ECO-0024313	T.HUANG	02-14-2011	B.C.SHEN	02-14-2011



MODEL NO.: F48V75A01  
 CUST. P/N: OTR1036  
 HP: 1/3  
 ROT.: CCWLE  
 RPM: 1075/4 SPD.  
 TYPE: UF  
 FRAME: 48Y  
 VOLTS: 115  
 PH: 1  
 AMPS: 6.8  
 HZ: 60  
 INS.: B  
 AMB.: 40° C  
 DUTY: AIR OVER  
 CAP.: 10 MFD/370V  
 ENCL: OPEN  
 UL LOGO  
 CSA LOGO  
 THERMALLY PROTECTED



614131-088

	5.0/7.0	
	[127/178]	
	13.0/15.0	
	[330/381]	
	13.0/15.0	
	[330/381]	
	23.0/25.0	
	[584/635]	
	23.0/25.0	
	[584/635]	
	23.0/25.0	
	[584/635]	
	23.0/25.0	
	[584/635]	
	23.0/25.0	
	[584/635]	

C31907	41.7 OZ. FT.	99AC408AY	E46412	PRGY2	LR43341	4211-01
--------	--------------	-----------	--------	-------	---------	---------

DISTRIBUTION SERVICE

- 形位公差
- 平面度
- 直线度
- ∠ 倾斜度
- ⊥ 垂直度
- // 平行度
- 圆度
- ⊘ 圆柱度
- ⊖ 面轮廓度
- ⊖ 线轮廓度
- ↗ 圆跳动
- ⊕ 位置度
- ⊙ 同轴度
- ≡ 对称度

ASME Y14.5M 1994

REGAL-BELOIT CORPORATION  
 (RBC) 在个别领域为客户  
 提供技术支持。鉴于RBC  
 未收到任何涉及电机使用和  
 应用环境的数据，电机的适用性  
 由客户自己决定。

未注公差尺寸仅供参考。

绘图: T.HUANG 02-14-2011  
 批准: B.C.SHEN 02-14-2011  
 第三角投影  
 机密: 本图纸及相关信息所有权归REGAL-BELOIT CORPORATION  
 未经REGAL-BELOIT CORPORATION书面授权, 不得泄露、  
 复制、传播或作其他用途。一版权所有



名称  
 MODEL-RFHP-48FR  
 OUTLINE

图幅 C 图号 OTR1036

比例 NONE 页号 1