

GENERAL INFORMATION:

SHAFT RUNOUT: .001 [.025] T.I.R. PER INCH LENGTH OF EXTENSION

BEARINGS: BALL

MOUNTING POSITION: VERTICAL SHAFT DOWN

ELECTRICAL DATA:

OVERLOAD PROTECTOR: AUTOMATIC RESET (T.I. 7AM 034)

LINE LEADS: NO. 14 GA., .03 [.76] THK. XLP 125°C INSUL.

CAPACITOR LEADS: NO. 18 GA., .03 [.76] THK. XLP 125°C INSUL.

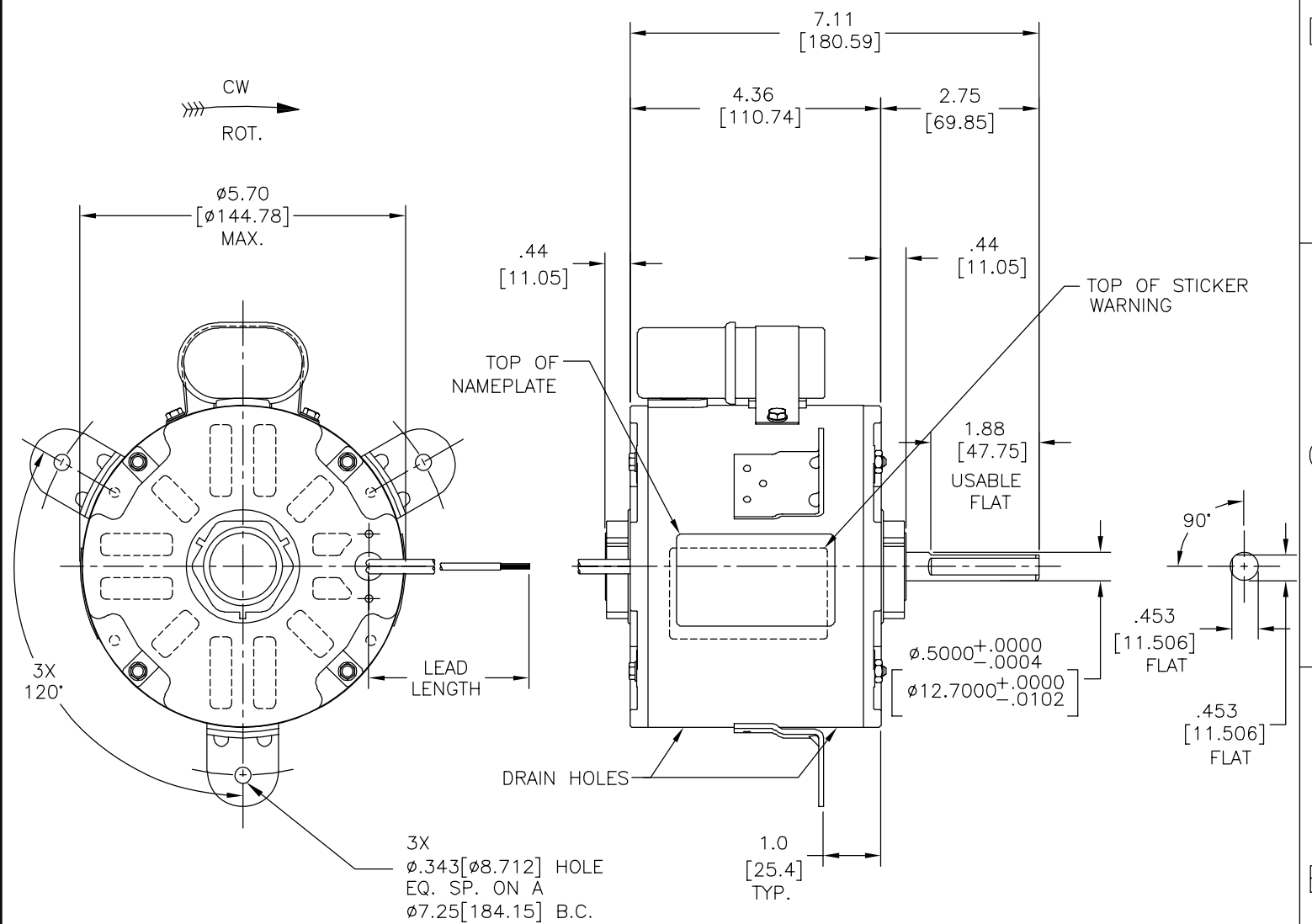
NAMEPLATE DATA:	EXTERNAL CONNECTION DIAGRAM
MODEL NO.: F48W41A01 CUST. P/N: OTC1862 HP: 1/4 ROT.: CWLE RPM: 1350/1625 TYPE: UF FRAME: 48 VOLTS: 230 PH: 1 AMPS: 1.9 HZ: 50/60 INS.: A AMB.: 40° C DUTY: AIR OVER CAP.: 4 MFD/370 V ENCL: SEMI-ENCL. UL LOGO CSA LOGO THERMALLY PROTECTED	

614131-032

PERFORMANCE CURVE NO.	TORQUE @1350 RPM (25°C)	APPROVED SAMPLE	UL COMPONENT		CSA	
			FILE #	CCN #	FILE #	CLASS #
C32490	22.9 OZ. FT.	0441062A	E46412	PRGY2	LR43341	4211-01

COLOR	LENGTH	TERMINAL OR STRIP LENGTH
BROWN	CONNECTED TO CAPACITOR	.25 [6.35] FLAG
BROWN	CONNECTED TO CAPACITOR	.25 [6.35] FLAG
BLACK	39/41 [991/1041]	.50 [12.70] SKIN
BLACK	39/41 [991/1041]	.50 [12.70] SKIN

DRAWING REVISION			REVISION BY			DATE		
A	ECO	0053903	J.ZHU	D.LI	07-21-2014	07-21-2014	07-21-2014	07-21-2014
NEW MODEL RELEASE								
<small>COPYRIGHT REGAL BELOIT AMERICA, INC. ALL RIGHTS RESERVED. PROPRIETARY AND CONFIDENTIAL INFORMATION - THIS DOCUMENT IS THE PROPERTY OF REGAL BELOIT AMERICA, INC. (OWNER) AND CONTAINS OWNER'S PROPRIETARY INFORMATION. ANY PERSON, CORPORATION OR OTHER FIRM RECEIVING IT IS DEEMED, BY RECEIVING IT, TO AGREE THAT IT, AND/OR ANY PART OF IT, SHALL NOT BE DISCLOSED TO ANY PERSON, CORPORATION OR OTHER ENTITY, DUPLICATED, AND/OR USED, EXCEPT AS EXPRESSLY APPROVED IN WRITING IN ADVANCE BY OWNER. THIS DOCUMENT SHALL BE RETURNED TO OWNER UPON REQUEST. IT MAY BE SUBJECT TO CERTAIN RESTRICTIONS UNDER APPLICABLE EXPORT CONTROL LAWS AND REGULATIONS.</small>								



REGAL-BELOIT CORPORATION (RBC) PROVIDES TECHNICAL ASSISTANCE TO OUR CUSTOMERS IN SEVERAL AREAS. SINCE RBC DOES NOT RECEIVE ALL DATA CONCERNING THE USE AND APPLICATION OF THE MOTOR, THE SUITABILITY OF THE MOTOR FOR THE APPLICATION MUST BE DETERMINED BY THE CUSTOMER.

DIMENSIONS WITHOUT TOLERANCES ARE FOR REFERENCE ONLY.

NOTE:  
EXCESS CAPACITOR LEAD WIRE MUST BE CONTAINED IN CAPACITOR COVER

ENCLOSURE	
MAIN FRAME - OLE	ENCLOSED
END FRAME - OLE	OPEN
MAIN FRAME - LE	ENCLOSED
END FRAME - LE	ENCLOSED

CUSTOMER	DISTRIBUTION SERVICE
OTC1862	

DRAWN BY: J.ZHU	DATE: 07-21-2014	Regal Beloit America, Inc.
APPROVED BY: D.LI	DATE: 07-21-2014	
REFERENCE: 11993-003	THIRD ANGLE PROJECTION	DESCRIPTION: MODEL-RFHP-48FR OUTLINE
SIZE: C	DWG NO: OTC1862	PROCESS/FINISH
		SHEET: 1