

4

3

2

1

REV	ECO	REV BY	DATE	APPD	DATE
F	0026387	O. CARVAJAL	05-25-2012	M. AVILA	05-25-2012

GENERAL INFORMATION:

SHAFT RUNOUT: .001[.03] T.I.R. PER INCH LENGTH OF EXTENSION.

END PLAY: .010[.25] TO .063[1.60]

BEARINGS: SLEEVE

MOUNTING POSITION: HORIZONTAL

ELECTRICAL DATA:

OVERLOAD PROTECTOR: AUTOMATIC RESET (T.I. 7AM 304)

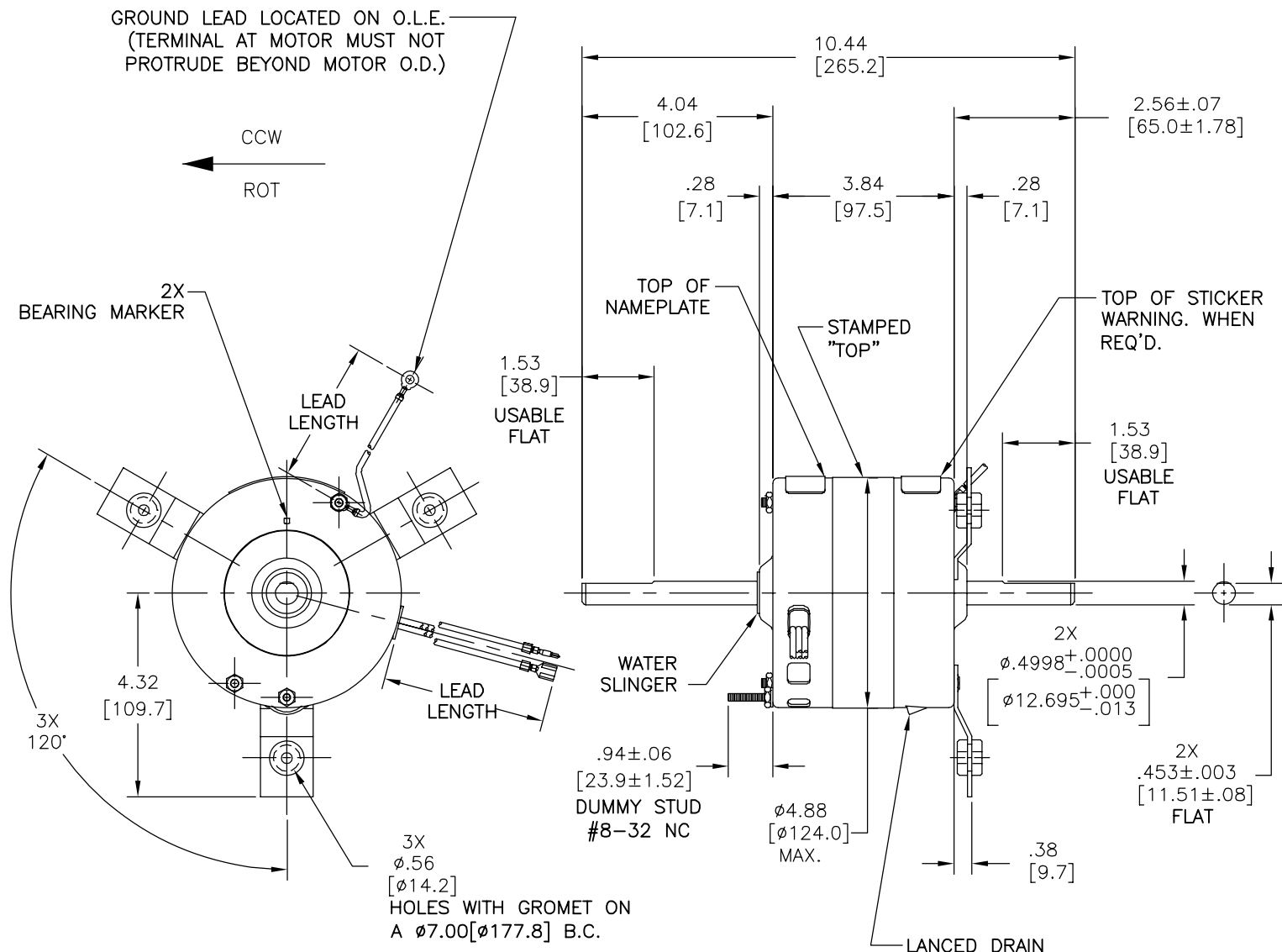
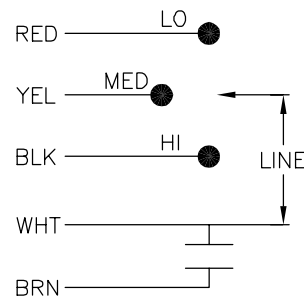
LEADS: NO. 18 GA., .03[.8] THK., CROSS-LINKED POLYETHYLENE, 125°C INSUL.

GROUND LEAD: NO. 18 GA., .03[.8] THK., GREEN/YELLOW INSUL.

NAMEPLATE DATA:

EXTERNAL CONNECTION DIAGRAM

MODEL NO.: F42C40A01
 CUST. P/N: ORV4540
 HP: 1/5
 ROT.: CCWLE
 RPM: 1650/3 SPD.
 TYPE: FLL
 FRAME: 42Y
 VOLTS: 115
 PH: 1
 AMPS: 2.5
 HZ: 60
 INS.: B*
 AMB.: 40° C
 DUTY: AIR OVER
 CAP.: 5 MFD/370 V
 CSA LOGO AND FILE NO.
 UL FILE NO.
 THERMALLY PROTECTED
 TYPE C



COLOR	LENGTH	TERMINAL OR STRIP LENGTH
GREEN/YELLOW (GROUND)	4.0/5.0 [102/127]	#10 EYELET
RED	42.0/45.0 [1067/1143]	AMP PIN 770007-1
YELLOW	42.0/45.0 [1067/1143]	AMP PIN 770007-1
BLACK	42.0/45.0 [1067/1143]	AMP PIN 770007-1
WHITE	26.0/28.0 [660/711]	.25[6.4] FEMALE SPADE
BROWN	26.0/28.0 [660/711]	.25[6.4] FEMALE SPADE

- NOTES:
 1. FACE OF MOUNTING LUGS MUST BE WITHIN 2" OF PLANE 90° TO SHAFT.
 2. LEAD WIRE MUST NOT HAVE TIGHT BENDS OR KINKS.

MAIN FRAME - OLE	ENCLOSED
END FRAME - OLE	ENCLOSED
MAIN FRAME - LE	SEMI-ENCL.
END FRAME - LE	ENCLOSED

CUSTOMER	DISTRIBUTION SERVICE
----------	----------------------

PERFORMANCE CURVE NO.	TORQUE @ 1650 RPM (25°C)	APPROVED SAMPLE	UL COMPONENT FILE #	CCN #	CSA FILE #	CLASS #
C30819	9.9 OZ. FT.	91AC300A	E46412	PRGY2	LR43341	4211-01

GEOMETRIC CHARACTERISTICS & SYMBOLS
 □ FLATNESS
 — STRAIGHTNESS
 < ANGLARITY
 ⊥ PERPENDICULARITY (SQUARENESS)
 // PARALLELISM
 ○ ROUNDNESS (CIRCULARITY)
 ∅ CYLINDRICITY
 △ PROFILE OF ANY SURFACE
 ∩ PROFILE OF ANY LINE
 ↗ RUNOUT
 ⊕ TRUE POSITION
 ⊙ CONCENTRICITY
 = SYMMETRY
 ASME Y14.5M 1994

REGAL-BELOIT CORPORATION (RBC) PROVIDES TECHNICAL ASSISTANCE TO OUR CUSTOMERS IN SEVERAL AREAS. SINCE RBC DOES NOT RECEIVE ALL DATA CONCERNING THE USE AND APPLICATION OF THE MOTOR, THE SUITABILITY OF THE MOTOR FOR THE APPLICATION MUST BE DETERMINED BY THE CUSTOMER.
 DIMENSIONS WITHOUT TOLERANCES ARE FOR REFERENCE ONLY.

DR BY: TDT
 APPD:
 THIRD ANGLE PROJECTION
 EDS DATE 11-11-2011
 FORMAT REV G
 CONFIDENTIAL: THIS DRAWING AND ITS INFORMATION ARE THE EXCLUSIVE AND CONFIDENTIAL PROPERTY OF REGAL-BELOIT CORPORATION AND ARE NOT TO BE DISCLOSED, DUPLICATED, DISTRIBUTED OR OTHERWISE USED WITHOUT THE WRITTEN CONSENT OF REGAL-BELOIT CORPORATION. -ALL RIGHTS RESERVED.

REGAL-BELOIT CORPORATION
 DESCRIPTION: MODEL-RFHP-42FR OUTLINE
 SIZE: C DWG NO: 11786-021
 SCALE: NONE SHEET: 1

4

3

2

1

4

3

2

1

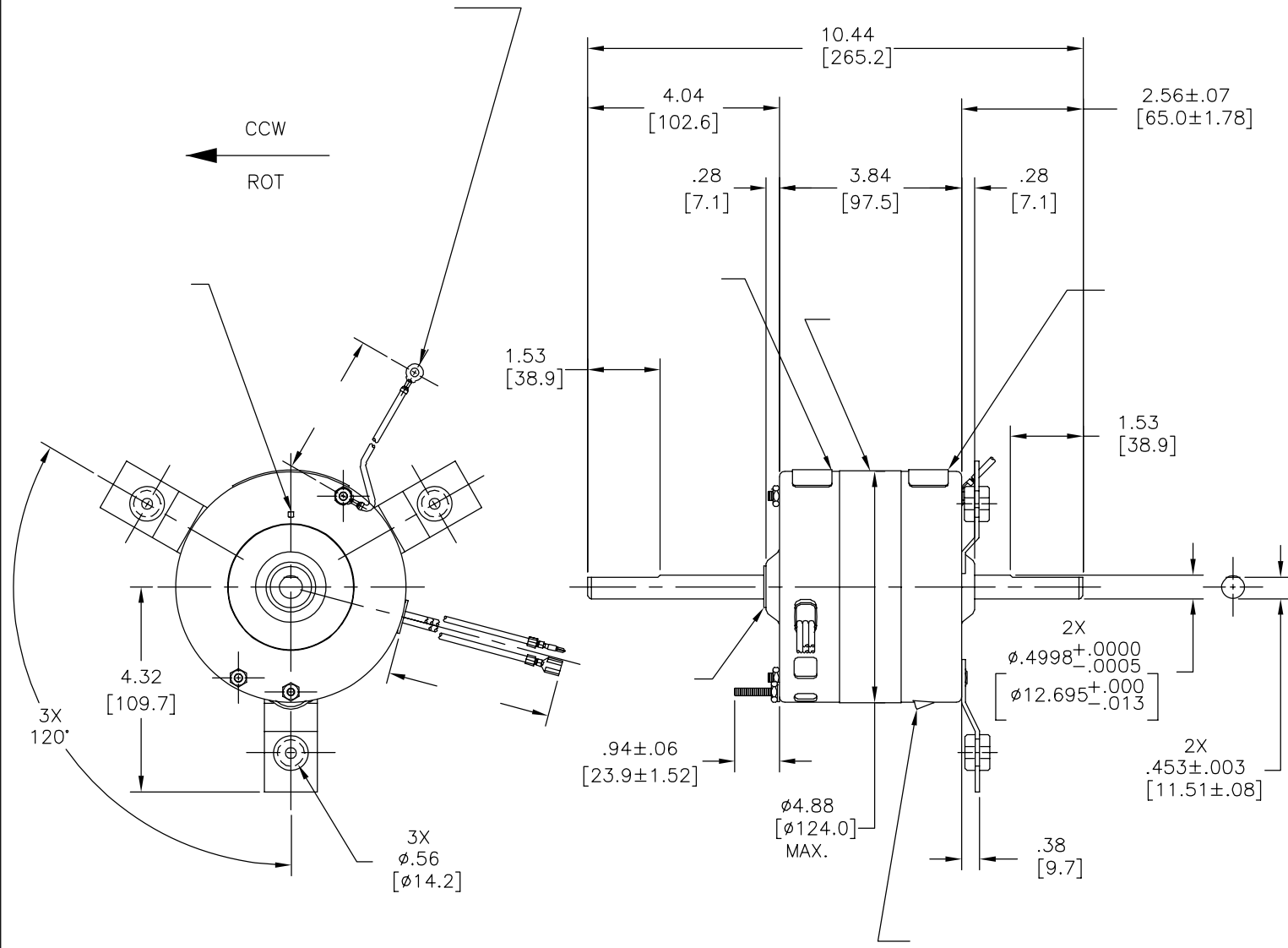
REVISION:	ECO	REVISADO POR:	FECHA:	APROBADO POR:	FECHA:
F	0026387	O. CARVAJAL	05-25-2012	M. AVILA	05-25-2012

INFORMACION GENERAL:

- OSCILACION DE FLECHA: -
- JUEGO AXIAL: -
- BALEROS: -
- POSICION DEL MONTAJE: -

INFORMACION ELECTRICA:

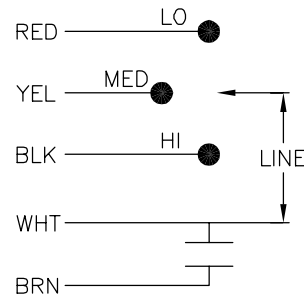
- PROTECTOR DE SOBRECARGA: -
- CABLES: -
- CABLE DE TIERRA: -



INFORMACION DE ETIQUETA:

DIAGRAMA DE CONEXION EXTRNA

MODEL NO.: F42C40A01
 CUST. P/N: ORV4540
 HP: 1/5
 ROT.: CCWLE
 RPM: 1650/3 SPD.
 TYPE: FLL
 FRAME: 42Y
 VOLTS: 115
 PH: 1
 AMPS: 2.5
 HZ: 60
 INS.: B*
 AMB.: 40° C
 DUTY: AIR OVER
 CAP.: 5 MFD/370 V
 CSA LOGO AND FILE NO.
 UL FILE NO.
 THERMALLY PROTECTED
 TYPE C



	4.0/5.0	
	[102/127]	
	42.0/45.0	
	[1067/1143]	
-	42.0/45.0	-
	[1067/1143]	
-	42.0/45.0	-
	[1067/1143]	
-	26.0/28.0	-
	[660/711]	
-	26.0/28.0	-
	[660/711]	
COLOR	LONGITUD	TERMINAL O LONGITUD DE DESFORRE

CARCASA - LOC	-
TAPA - LOC	-
CARCASA - LC	-
TAPA - LC	-

CLIENTE	DISTRIBUTION SERVICE
---------	----------------------

CURVAS DE FUNCIONAMIENTO	TORSION @1650 RPM (25°C)	MUESTRA APROBADA	COMPONENTE UL	CSA
C30819	9.9 OZ. FT.	91AC300A	#ARCHIVO CCN #	#ARCHIVO CLASE #
			E46412 PRGY2	LR43341 4211-01

CARACTERISTICAS DE GEOMETRIA Y SIMBOLOS
 □ PLANICIDAD
 - RECTITUD
 < ANGULARIDAD
 ⊥ PERPENDICULARIDAD (A ESCUADRA)
 // PARALELISMO
 ○ REDONDEZ (CIRCULARIDAD)
 ∅ CILINDRICIDAD
 △ PERFIL DE CUALQUIER SUPERFICIE
 ∇ PERFIL DE CUALQUIER LINEA
 ∠ VARIACION
 ⊕ POSICION REAL
 ⊙ CONCENTRICIDAD
 = SIMETRIA
 ASME Y14.5M 1994

REGAL-BELOIT CORPORATION (RBC) PROVEE ASISTENCIA TECNICA A NUESTROS CLIENTES EN VARIAS AREAS. DESDE QUE RBC NO RECIBE TODOS LOS DATOS EN RELACION AL USO Y A LA APLICACION DEL MOTOR, LA APLICACION ADECUADA DEL MOTOR DEBE SER DETERMINADA POR EL CLIENTE.
 DIMENSIONES SIN TOLERANCIA SON DE REFERENCIA SOLAMENTE

DIBUJADO POR: TDT
 APROBADO POR:
 TERCER ANGULO DE PROYECCION
 CONFIDENCIAL: ESTE DIBUJO Y SU INFORMACION SON PROPIEDAD DE USO EXCLUSIVO Y CONFIDENCIAL DE REGAL-BELOIT CORPORATION. Y NO DEBERAN SER REVELADOS, DUPLICADOS, DISTRIBUIDOS O USARSE DE OTRA MANERA SIN EL CONSENTIMIENTO ESCRITO DE REGAL-BELOIT CORPORATION. -TODOS LOS DERECHOS RESERVADOS.
 FECHA EDS: 11-11-2011
 REV. FORMATO: G

REGAL-BELOIT CORPORATION
 DESCRIPCION: MODEL-RFHP-42FR OUTLINE
 TAMAÑO: C NUMERO DE DIBUJO: 11786-021
 ESCALA: NONE HOJA: 1

4

3

2

1

4

3

2

1

总技术要求:

轴跳动:

端部窜动量

轴承:

安装位置:

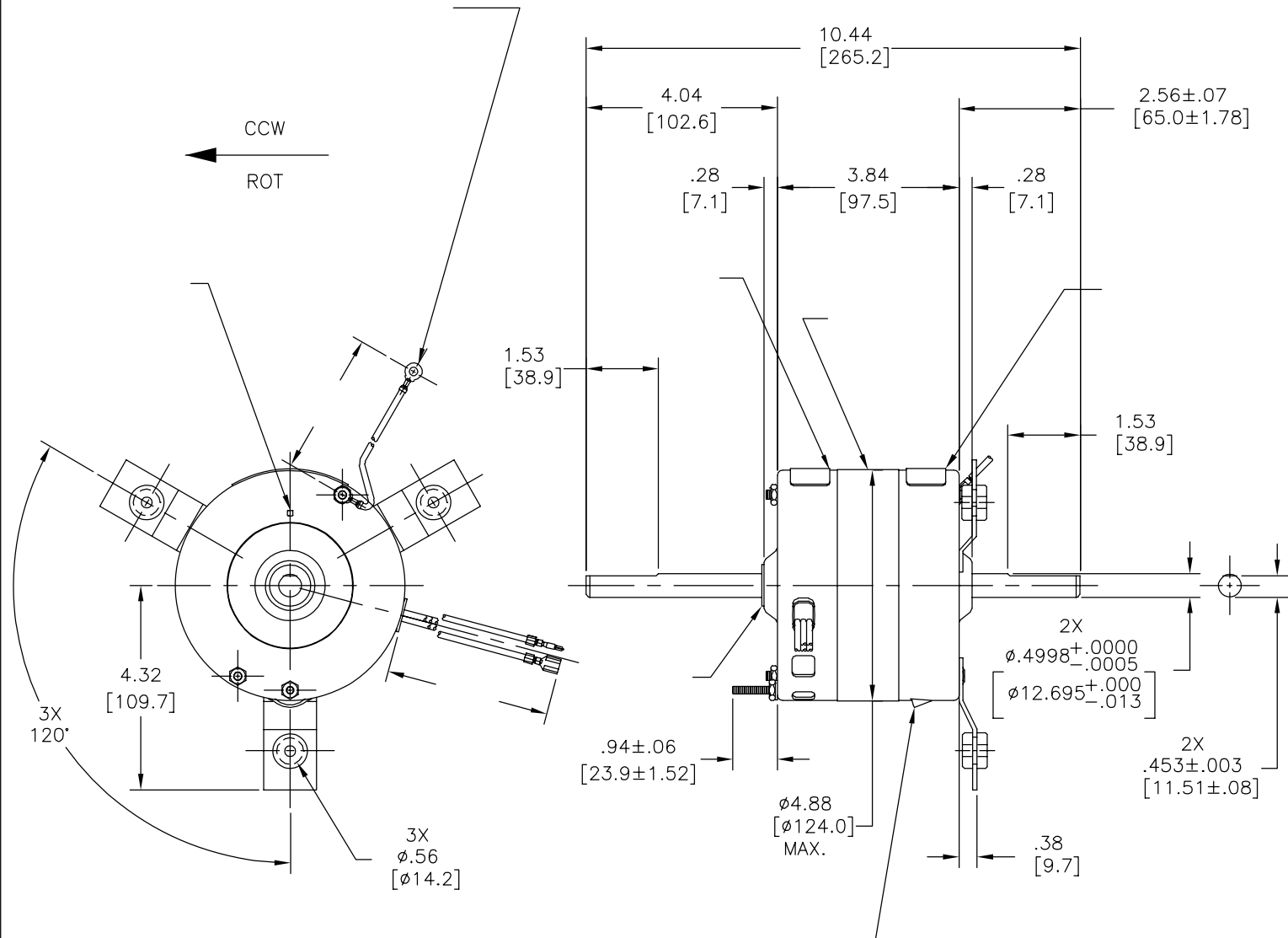
电气数据:

过载保护:

引线:

接地线:

版本	ECO	编制	日期	批准	日期
F	0026387	O. CARVAJAL	05-25-2012	M. AVILA	05-25-2012



	4.0/5.0	
	[102/127]	
	42.0/45.0	
	[1067/1143]	
	42.0/45.0	
	[1067/1143]	
	42.0/45.0	
	[1067/1143]	
	26.0/28.0	
	[660/711]	
	26.0/28.0	
	[660/711]	
颜色	长度	端子或剥线长度

无引线端机壳	
无引线端端盖	
有引线端机壳	
有引线端端盖	
密封性	

用户	DISTRIBUTION SERVICE
----	----------------------

铭牌数据	外部数据线
MODEL NO.: F42C40A01 CUST. P/N: ORV4540 HP: 1/5 ROT.: CCWLE RPM: 1650/3 SPD. TYPE: FLL FRAME: 42Y VOLTS: 115 PH: 1 AMPS: 2.5 HZ: 60 INS.: B* AMB.: 40° C DUTY: AIR OVER CAP.: 5 MFD/370 V CSA LOGO AND FILE NO. UL FILE NO. THERMALLY PROTECTED TYPE C	

性能曲线编号	转矩在 @ RPM (25° C)	批准样品	UL部件		CSA	
C30819	9.9 OZ. FT.	91AC300A	文件号	指南	文件号	指南
			E46412	PRGY2	LR43341	4211-01

- 形位公差
- 平面度
- 直线度
- ∠ 倾斜度
- ⊥ 垂直度
- // 平行度
- 圆度
- ⊘ 圆柱度
- △ 面轮廓度
- ∩ 线轮廓度
- ↗ 圆跳动
- ⊕ 位置度
- ⊙ 同轴度
- ≡ 对称度

ASME Y14.5M 1994

REGAL-BELOIT CORPORATION (RBC) 在个别领域为客户提供技术支持。鉴于RBC未收到任何涉及电机使用和应用环境的数据，电机的适用性由客户自己决定。

未注公差尺寸仅供参考。

绘图: TDT
批准:
第三角投影
机密: 本图纸及相关信息所有权归REGAL-BELOIT CORPORATION。未经REGAL-BELOIT CORPORATION书面授权, 不得泄露、复制、传播或作其他用途。—版权所有

名称: MODEL-RFHP-42FR OUTLINE
图幅: C 图号: 11786-021
比例: NONE 页号: 1

4

3

2

1