

GENERAL INFORMATION:

SHAFT RUNOUT: .001[.03] T.I.R. PER INCH LENGTH OF EXTENSION.

END PLAY: .010[.25] TO .063[1.60]

BEARINGS: SLEEVE

MOUNTING POSITION: HORIZONTAL

ELECTRICAL DATA:

OVERLOAD PROTECTOR: AUTOMATIC RESET (T.I. 7AM 034)

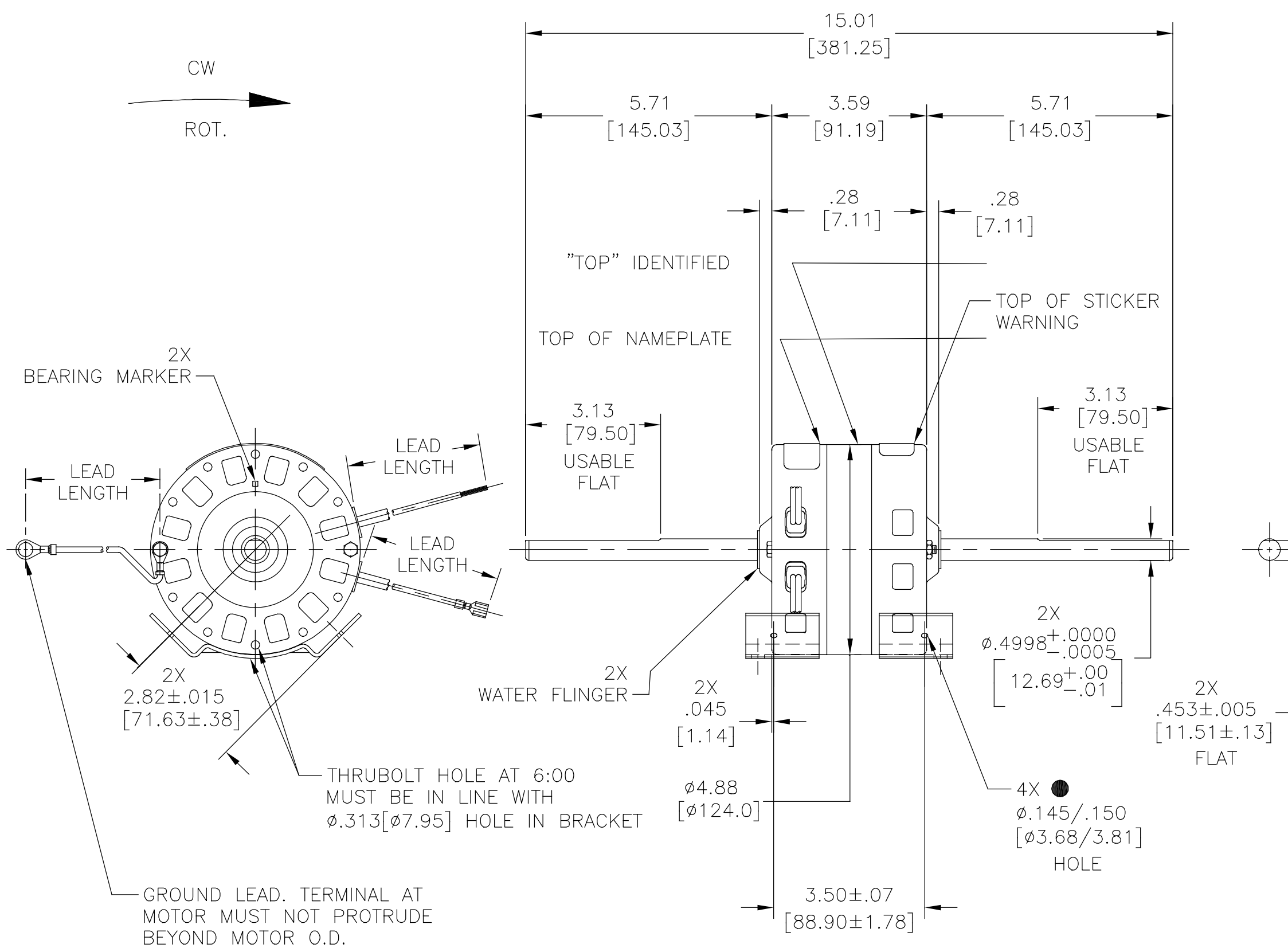
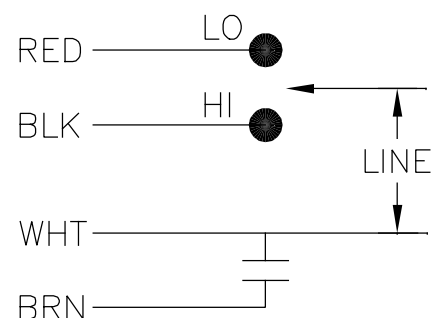
LEADS: NO. 18 GA., .06[1.5] THK., 125°C INSUL.

GROUND LEAD: NO. 18 GA., .03[.8] THK., GREEN INSUL.

NAMEPLATE DATA:

MODEL NO.: 322P708  
 CUST. P/N: ORV4538  
 HP: 1/4  
 ROT.: CWLE  
 RPM: 1625/2 SPD.  
 TYPE: FLL  
 FRAME: 42Y  
 VOLTS: 115  
 PH: 1  
 AMPS: 3.1  
 HZ: 60  
 INS.: A  
 AMB.: 40° C  
 DUTY: AIR OVER  
 CAP.: 7.5 MFD/370 V  
 ENCL: SEMI-ENCL.  
 UL LOGO  
 CSA LOGO  
 THERMALLY PROTECTED  
 TYPE C

EXTERNAL CONNECTION DIAGRAM



COLOR	LENGTH	TERMINAL OR STRIP LENGTH
GREEN(GRD)	8.5/9.5 [216/241]	.328[8.33] RING
RED	23.0/25.0 [584/635]	.60[15] SKIN
BLACK	23.0/25.0 [584/635]	.60[15] SKIN
BROWN	23.0/25.0 [584/635]	.25[6.4] FEMALE SPADE
WHITE	23.0/25.0 [584/635]	.25[6.4] FEMALE SPADE

NOTE:  
 ●  $\phi .145 / .150 [ \phi 3.68 / 3.81 ]$  MOUNTING HOLES IN FRONT OF BRACKET TO BE IN LINE WITH HOLES IN REAR BRACKET WITHIN 2".

ENCLOSURE	
MAIN FRAME - OLE	SEMI-ENCL.
END FRAME - OLE	OPEN
MAIN FRAME - LE	SEMI-ENCL.
END FRAME - LE	OPEN

CUSTOMER	DISTRIBUTION SERVICE

PERFORMANCE CURVE NO.	TORQUE @ 1625 RPM (25°C)	APPROVED SAMPLE	UL COMPONENT		CSA	
			FILE #	CCN #	FILE #	CLASS #
C30540	11.5 OZ. FT.	-	E46412	PRGY2	LR43341	4211-01

DRAWING REVISION	REVISION BY	DATE
F	J.CHAI	03-20-2019
ECO	APPROVED BY J.CHAI	DATE 03-20-2019

ECO DESCRIPTION  
 SEE ECO

COPYRIGHT REGAL BELOIT AMERICA, INC. ALL RIGHTS RESERVED. PROPRIETARY AND CONFIDENTIAL INFORMATION - THIS DOCUMENT IS THE PROPERTY OF REGAL BELOIT AMERICA, INC. ("OWNER") AND CONTAINS OWNER'S PROPRIETARY INFORMATION. ANY PERSON, CORPORATION OR OTHER FIRM RECEIVING IT IS DEEMED, BY RECEIVING IT, TO AGREE THAT IT, AND/OR ANY PART OF IT, SHALL NOT BE DISCLOSED TO ANY PERSON, CORPORATION OR OTHER ENTITY, DUPLICATED, AND/OR USED, EXCEPT AS EXPRESSLY APPROVED IN WRITING IN ADVANCE BY OWNER. THIS DOCUMENT SHALL BE RETURNED TO OWNER UPON REQUEST. IT MAY BE SUBJECT TO CERTAIN RESTRICTIONS UNDER APPLICABLE EXPORT CONTROL LAWS AND REGULATIONS.

DRAWN BY: J.RUPERT
DATE: 04-20-1998
APPROVED BY: T.RILEY
DATE: 04-21-1998
REFERENCE

<b>REGAL</b> ™ Regal Beloit America, Inc.	
DESCRIPTION MODEL-RFHP-42FR OUTLINE	
MATERIAL	PROCESS/FINISH
SIZE DWG NO C 12201-001	SHEET 1