

Uncontrolled Copy

GENERAL INFORMATION:

SHAFT RUNOUT: .001[.03] T.I.R. PER INCH LENGTH OF EXTENSION

END PLAY: .010 TO .063[.25 TO 1.60]

BEARINGS: SLEEVE

MOUNTING POSITION: ALL ANGLE

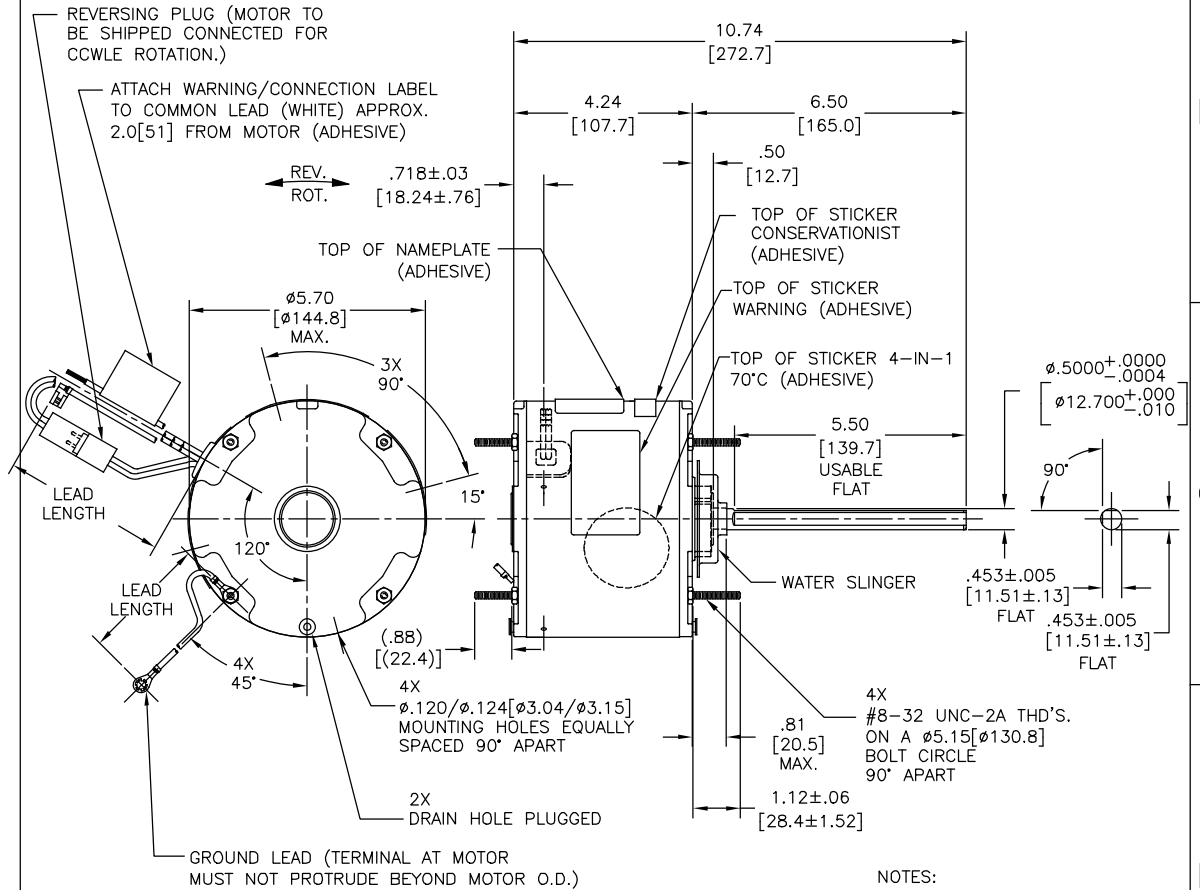
ELECTRICAL DATA:

OVERLOAD PROTECTOR: AUTOMATIC RESET (SENSATA 7AM 304)

LINE LEADS: NO. 18 GA., .06[1.5] THK. XLP 125°C INSUL.

REVERSING PLUGS: NO. 18 GA., .03[.8] THK. XLP 125°C INSUL.

GROUND LEAD: NO. 18 GA., .03[.8] THK. (GREEN) INSUL.



NAMEPLATE DATA:	EXTERNAL CONNECTION DIAGRAM
MODEL NO.: F48AB29A01 CUST. P/N: ORM5484F HP: 1/8-1/15 ROT.: REVERSIBLE RPM: 825 TYPE: UF FRAME: 48 VOLTS: 208-230 PH: 1 AMPS: 1.0 HZ: 60 INS.: F AMB.: 70°C DUTY: AIR OVER CAP.: 5 MFD/370 V ENCL: ENCLOSED UL LOGO CSA LOGO THERMALLY PROTECTED	

PERFORMANCE CURVE NO.	TORQUE @ 825 RPM (25°C)	APPROVED SAMPLE	UL COMPONENT	CSA
C32576	15.8 OZ. FT.	0601710A	FILE # CCN # FILE # CLASS #	
			E46412 PRGY2 LR43341 4211-01	

GREEN (GROUND)	12.0/13.0 [305/330]	#10 EYELET
BLACK/WHITE	3.0/5.0 [76/127]	REVERSING PLUG
BROWN	48.0/51.0 [1219/1295]	.25[6.4] FLAG
BROWN/WHITE	48.0/51.0 [1219/1295]	.25[6.4] FLAG
WHITE	48.0/51.0 [1219/1295]	.50[12.7] SKIN
BLACK	48.0/51.0 [1219/1295]	.50[12.7] SKIN
COLOR	LENGTH	TERMINAL OR STRIP LENGTH

REGAL-BELOIT CORPORATION (RBC) PROVIDES TECHNICAL ASSISTANCE TO OUR CUSTOMERS IN SEVERAL AREAS. SINCE RBC DOES NOT RECEIVE ALL DATA CONCERNING THE USE AND APPLICATION OF THE MOTOR, THE SUITABILITY OF THE MOTOR FOR THE APPLICATION MUST BE DETERMINED BY THE CUSTOMER.	
DIMENSIONS WITHOUT TOLERANCES ARE FOR REFERENCE ONLY.	
MAIN FRAME - OLE	ENCLOSED
END FRAME - OLE	ENCLOSED
MAIN FRAME - LE	ENCLOSED
END FRAME - LE	ENCLOSED

- NOTES:
- ATTACH INSTRUCTION SHEET 681572-003 ONTO SHAFT APPROX. 1.0[25] FROM WATER SLINGER (OR 69P9-3 ONLY USED IN MEXICO)
 - (4) SCREWS 615982-001 & (4) EXTRA HEX NUTS 7555A19H01 TO BE PUT IN A POLYBAG.

DRAWING REVISION	REVISION BY	DATE	DRAWN BY	DATE
T	GELINE.ZHAO	05-23-2019	A.NAJERA	04-28-2011
ECO	APPROVED BY	DATE	APPROVED BY	DATE
ECO-0166568	KEYUN.GONG	05-23-2019	J.RUPERT	04-28-2011
ECO DESCRIPTION	SEE ECO		REFERENCE	
<small>REGAL-BELOIT CORPORATION REGAL-BELOIT AMERICA, INC. ALL RIGHTS RESERVED. PROPRIETARY AND CONFIDENTIAL INFORMATION - THIS DOCUMENT IS THE PROPERTY OF REGAL-BELOIT AMERICA, INC. AND IS NOT TO BE REPRODUCED OR TRANSMITTED IN ANY FORM OR BY ANY MEANS, ELECTRONIC OR MECHANICAL, INCLUDING PHOTOCOPYING, RECORDING, OR BY ANY INFORMATION STORAGE AND RETRIEVAL SYSTEM, WITHOUT THE WRITTEN PERMISSION OF REGAL-BELOIT AMERICA, INC. ANY UNAUTHORIZED USE, REPRODUCTION, OR DISSEMINATION OF THIS DOCUMENT IS STRICTLY PROHIBITED. REGAL-BELOIT AMERICA, INC. SHALL NOT BE LIABLE FOR ANY DAMAGES, INCLUDING CONSEQUENTIAL DAMAGES, ARISING FROM THE USE OF THIS DOCUMENT. THIS DOCUMENT IS PROVIDED AS IS. REGAL-BELOIT AMERICA, INC. SHALL NOT BE RESPONSIBLE FOR ANY DAMAGES, INCLUDING CONSEQUENTIAL DAMAGES, ARISING FROM THE USE OF THIS DOCUMENT. THIS DOCUMENT IS PROVIDED AS IS. REGAL-BELOIT AMERICA, INC. SHALL NOT BE RESPONSIBLE FOR ANY DAMAGES, INCLUDING CONSEQUENTIAL DAMAGES, ARISING FROM THE USE OF THIS DOCUMENT. THIS DOCUMENT IS PROVIDED AS IS.</small>			THIRD ANGLE PROJECTION	SIZE DWG NO
			C	ORM5484F
			DESCRIPTION	SHEET
			MODEL-RFHP-48FR OUTLINE	1
			PROCESS/FINISH	