

GENERAL INFORMATION:

SHAFT RUNOUT: .001[.03] T.I.R. PER INCH LENGTH OF EXTENSION

BEARINGS: BALL

MOUNTING POSITION: ALL ANGLE

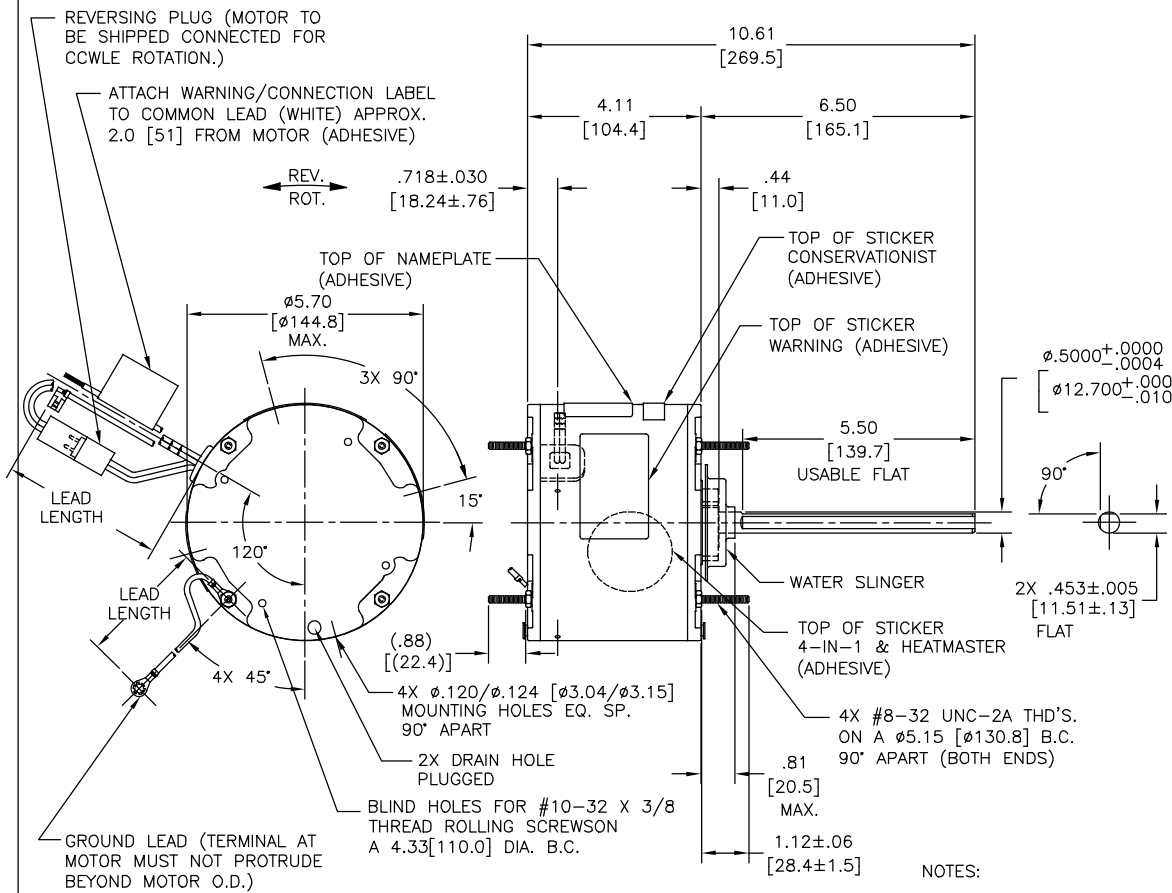
ELECTRICAL DATA:

OVERLOAD PROTECTOR: AUTOMATIC RESET (T.I. 7AM 304)

LINE LEADS: NO. 18 GA., .06[1.5] THK. XLP 125°C INSUL.

REVERSING PLUGS: NO. 18 GA., .03[.8] THK. XLP 125°C INSUL.

GROUND LEAD: NO. 18 GA., .03[.8] THK. (GREEN) INSUL.



NAMEPLATE DATA:	EXTERNAL CONNECTION DIAGRAM
MODEL NO.: F48AF31A01 CUST. P/N: ORM5458BU HP: 1/3-1/6 ROT.: REVERSIBLE RPM: 1075 TYPE: UF FRAME: 48 VOLTS: 208-230 PH: 1 AMPS: 1.9 HZ: 60 INS.: F AMB.: 80°C DUTY: AIR OVER CAP.: 7.5 MFD/370 V ENCL: ENCLOSED UL LOGO CSA LOGO THERMALLY PROTECTED	

PERFORMANCE CURVE NO.	TORQUE @ 1075 RPM (25°C)	APPROVED SAMPLE	UL COMPONENT	CSA
C32514	32.6 OZ. FT.	0500467A	E46412 PRGY2	LR43341 4211-01

COLOR	LENGTH	TERMINAL OR STRIP LENGTH
GREEN (GROUND)	12.0/13.0 [305/330]	#10 EYELET
BLACK/WHITE	3.0/5.0 [76/127]	REVERSING PLUG
BROWN	48.0/51.0 [1219/1295]	.25[6.4] FLAG
BROWN/WHITE	48.0/51.0 [1219/1295]	.25[6.4] FLAG
WHITE	48.0/51.0 [1219/1295]	.50[12.7] SKIN
BLACK	48.0/51.0 [1219/1295]	.50[12.7] SKIN

REGAL-BELOIT CORPORATION (RBC) PROVIDES TECHNICAL ASSISTANCE TO OUR CUSTOMERS IN SEVERAL AREAS. SINCE RBC DOES NOT RECEIVE ALL DATA CONCERNING THE USE AND APPLICATION OF THE MOTOR, THE SUITABILITY OF THE MOTOR FOR THE APPLICATION MUST BE DETERMINED BY THE CUSTOMER.

DIMENSIONS WITHOUT TOLERANCES ARE FOR REFERENCE ONLY.

MAIN FRAME - OLE	ENCLOSED
END FRAME - OLE	ENCLOSED
MAIN FRAME - LE	ENCLOSED
END FRAME - LE	ENCLOSED

- NOTES:
- ATTACH INSTRUCTION SHEET 69P9-3 ONTO SHAFT APPROX. 1.0[25] FROM WATER SLINGER
  - 4X SCREWS 615982-001 & 4X HEX NUTS 7555A19H01 & 4X SCREWS 13833003 TO BE PUT IN A POLYBAG.

DRAWING REVISION	REVISION BY	DATE
G	GELINE ZHAO	05-23-2019
ECO	KEYUN GONG	05-23-2019

ECO DESCRIPTION: SEE ECO

REGAL-BELOIT CORPORATION (RBC) PROVIDES TECHNICAL ASSISTANCE TO OUR CUSTOMERS IN SEVERAL AREAS. SINCE RBC DOES NOT RECEIVE ALL DATA CONCERNING THE USE AND APPLICATION OF THE MOTOR, THE SUITABILITY OF THE MOTOR FOR THE APPLICATION MUST BE DETERMINED BY THE CUSTOMER.

ENCLOSURE	CUSTOMER	DISTRIBUTION SERVICE
DRAWN BY: R.ZHOU DATE: 01-11-2013 APPROVED BY: T.ZHAO DATE: 01-11-2013 PROCESS/FINISH:	REGAL BELOIT America, Inc. DESCRIPTION: OUTLINE MATERIAL:	ORM5458BU SHEET 1