

GENERAL INFORMATION:

SHAFT RUNOUT: .001 [.03] T.I.R. PER INCH LENGTH OF EXTENSION

END PLAY: .010 TO .063 [.25 TO 1.60]

BEARINGS: SLEEVE

MOUNTING POSITION: HORIZONTAL

ELECTRICAL DATA:

OVERLOAD PROTECTOR: AUTOMATIC RESET (T.I. 7AM 036)

LEADS: NO. 18 GA., .06 [1.5] THK. PVC 105°C INSUL.

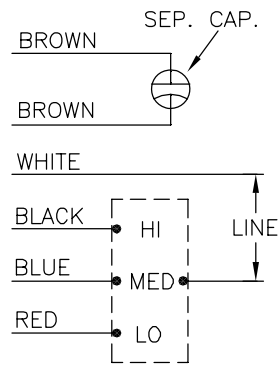
- NOTE:
 1. DENOTES CRITICAL CHARACTERISTICS.
 2. DISTRIBUTION PART NUMBER: ORM10563
 GRAINGER PART NUMBER: 4AV32

SEE NOTE 2

NAMEPLATE DATA: ⊕

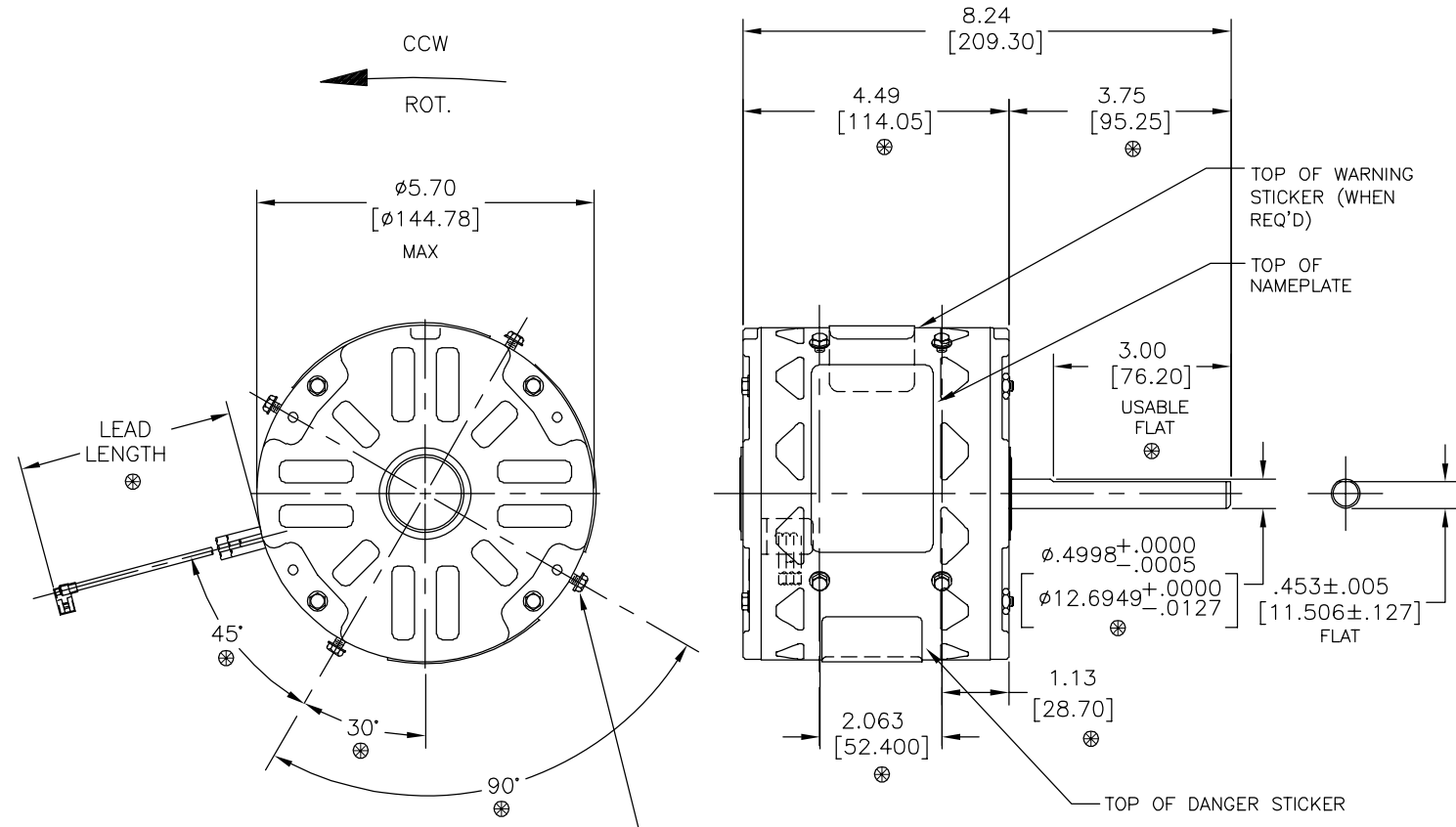
MODEL NO.: F48V41A01
 CUST. P/N: [- - - -]
 HP: 1/2
 ROT.: CCWLE
 RPM: 1075/3 SPD.
 TYPE: UF
 FRAME: 48Y
 VOLTS: 115
 PH: 1
 AMPS: 5.9
 HZ: 60
 INS.: B
 AMB.: 40 °C
 DUTY: AIR OVER
 ENCL: OPEN
 CAP.: 7.5 MFD/370V
 UL & CSA LOGO
 THERMALLY PROTECTED

EXTERNAL CONNECTION DIAGRAM



614131-026

PERFORMANCE CURVE NO.	TORQUE @ 825 RPM (25°C)	APPROVED SAMPLE	UL COMPONENT		CSA	
			FILE #	GUIDE#	FILE #	GUIDE #
C31327	38.0 OZ. FT.	0443191	E46412	PRGY2	LR43341	4211-01



8X
 #8-18 X 1/4 (THREAD FORMING SCREW) INSERTED APPROX. HALFWAY

COLOR	LENGTH	TERMINAL OR STRIP LENGTH
BROWN	10/12 [254/305]	.25[6.4] PRE INSUL. FLAG
BROWN	10/12 [254/305]	.25[6.4] PRE INSUL. FLAG
WHITE	17/19 [432/483]	.25[6.4] PRE INSUL. FLAG
BLACK	17/19 [432/483]	.25[6.4] PRE INSUL. FLAG
BLUE	17/19 [432/483]	.25[6.4] PRE INSUL. FLAG
RED	17/19 [432/483]	.25[6.4] PRE INSUL. FLAG
LEAD DATA		

ENCLOSURE	
MAIN FRAME - OLE	OPEN
END FRAME - OLE	OPEN
MAIN FRAME - LE	OPEN
END FRAME - LE	OPEN

CUSTOMER	DISTRIBUTION SERVICES

DRAWING REVISION: F	REVISION BY: E.VILLA	DATE: 04-30-2014	TOLERANCES UNLESS OTHERWISE SPECIFIED	DRAWN BY: D.M.JONES	Regal Beloit America, Inc.
ECC-0049870	APPROVED BY: J.RUIZ	DATE: 04-30-2014	DEC. INCH mm ANGLE .X ±0.1 (±2.5) ±0.5° .XX ±0.02 (±0.51) .XXX ±0.005 (±0.127) .XXXX ±0.0005 (±0.0127)	DATE: 09-27-2004	
CHANGED TITLE BLOCK			REMOVE BURRS & BREAK SHARP EDGES .003/.015 (0.076/.381) CORNER FILLETS .02 (1.51) MACHINED SURFACES 1/32 INCH (0.762 mm) SHOWN IN [BRACKETS]	APPROVED BY: G.PIATT	DESCRIPTION: MODEL-RFHP-48FR OUTLINE
COPYRIGHT REGAL BELOIT AMERICA, INC. ALL RIGHTS RESERVED. PROPRIETARY AND CONFIDENTIAL INFORMATION - THIS DOCUMENT IS THE PROPERTY OF REGAL BELOIT AMERICA, INC. (OWNER) AND CONTAINS OWNER'S PROPRIETARY INFORMATION. ANY PERSON, CORPORATION OR OTHER FIRM RECEIVING IT IS DEEMED, BY RECEIVING IT, TO AGREE THAT IT, AND/OR ANY PART OF IT, SHALL NOT BE DISCLOSED TO ANY PERSON, CORPORATION OR OTHER ENTITY, DUPLICATED, AND/OR USED, EXCEPT AS EXPRESSLY APPROVED IN WRITING IN ADVANCE BY OWNER. THIS DOCUMENT SHALL BE RETURNED TO OWNER UPON REQUEST. IT MAY BE SUBJECT TO CERTAIN RESTRICTIONS UNDER APPLICABLE EXPORT CONTROL LAWS AND REGULATIONS.			DATE: 09-27-2004	MATERIAL: -	
				PROCESS/FINISH: -	SIZE DWG NO: C 11915-024
				THIRD ANGLE PROJECTION	SHEET 1