

GENERAL INFORMATION:

SHAFT RUNOUT: .001 [.03] T.I.R. PER INCH LENGTH OF EXTENSION

END PLAY: .010 [.25] TO .063 [1.60]

BEARINGS: SLEEVE

MOUNTING POSITION: VERTICAL SHAFT DOWN

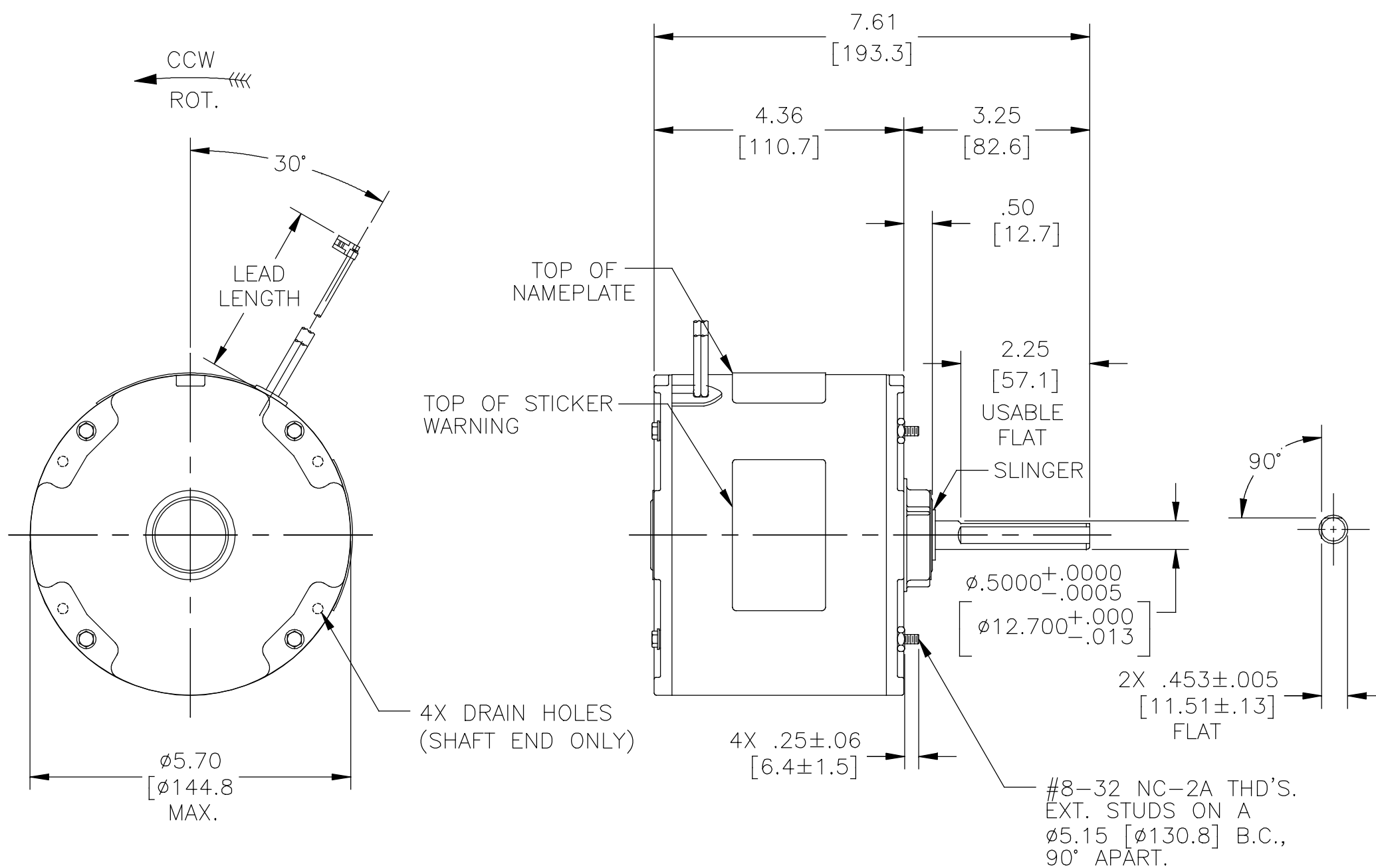
ELECTRICAL DATA:

OVERLOAD PROTECTOR: AUTOMATIC RESET (SENSATA 7AM 036)

LEADS: NO. 18 GA., .06 [1.5] THK. PVC 105°C INSUL.

NOTES:
1. DISTRIBUTION: CUST. P/N: ORM1036V1
GRAINGER: CUST. P/N: 4UY71

SEE NOTE 1



NAMEPLATE DATA:		EXTERNAL CONNECTION DIAGRAM	
MODEL NO.: F48V39A01 CUST. P/N: <input type="text"/> HP: 1/3 ROT.: CCWLE RPM: 1075 TYPE: UF FRAME: 48Y VOLTS: 208-230 PH: 1 AMPS: 1.5-1.8 HZ: 60 INS.: B AMB.: 40°C DUTY: AIR OVER CAP.: 5 MFD/370 V ENCL: ENCLOSED UL LOGO CSA LOGO THERMALLY PROTECTED			
614131-317			

BROWN	39.0/42.0 [991/1067]	.25 [6.4] FLAG
ORANGE	39.0/42.0 [991/1067]	.25 [6.4] FLAG
ORANGE	39.0/42.0 [991/1067]	.25 [6.4] FLAG
BLACK	39.0/42.0 [991/1067]	.25 [6.4] FLAG
COLOR	LENGTH	TERMINAL OR STRIP LENGTH

MAIN FRAME - OLE	ENCLOSED
END FRAME - OLE	ENCLOSED
MAIN FRAME - LE	ENCLOSED
END FRAME - LE	ENCLOSED

CUSTOMER	DISTRIBUTION SERVICE
----------	----------------------

PERFORMANCE CURVE NO.	TORQUE @ 1075 RPM (25°C)	APPROVED SAMPLE	UL COMPONENT FILE #	CCN #	CSA FILE #	CLASS #
C32359	25.4 OZ. FT.	0442975B	E46412	PRGY2	LR43341	4211-01

DRAWING REVISION D	REVISION BY J. RUPERT	DATE 07-19-2018
ECO-0149233	APPROVED BY J. RUPERT	DATE 07-19-2018
ECO DESCRIPTION CHANGED FROM 12056-075		
COPYRIGHT REGAL BELOIT AMERICA, INC. ALL RIGHTS RESERVED. PROPRIETARY AND CONFIDENTIAL INFORMATION - THIS DOCUMENT IS THE PROPERTY OF REGAL BELOIT AMERICA, INC. (OWNER) AND CONTAINS OWNER'S PROPRIETARY INFORMATION. ANY PERSON, CORPORATION OR OTHER FIRM RECEIVING IT IS DEEMED, BY RECEIVING IT, TO AGREE THAT IT, AND/OR ANY PART OF IT, SHALL NOT BE DISCLOSED TO ANY PERSON, CORPORATION OR OTHER ENTITY, DUPLICATED, AND/OR USED, EXCEPT AS EXPRESSLY APPROVED IN WRITING IN ADVANCE BY OWNER. THIS DOCUMENT SHALL BE RETURNED TO OWNER UPON REQUEST. IT MAY BE SUBJECT TO CERTAIN RESTRICTIONS UNDER APPLICABLE EXPORT CONTROL LAWS AND REGULATIONS.		

ENCLOSURE		Regal Beloit America, Inc.	
DRAWN BY: J. RUPERT	DATE: 09-17-2004	DESCRIPTION: MODEL-RFHP-48FR OUTLINE	
APPROVED BY: T. RILEY	DATE: 09-21-2004	MATERIAL	PROCESS/FINISH
REFERENCE: 12056-075	THIRD ANGLE PROJECTION	SIZE DWG NO: C	SHEET 1
ORM1036V1			