

GENERAL INFORMATION:

SHAFT RUNOUT: .001[.025] T.I.R. PER INCH LENGTH OF EXTENSION

END PLAY: .010[.254] TO .063[1.60]

BEARINGS: SLEEVE

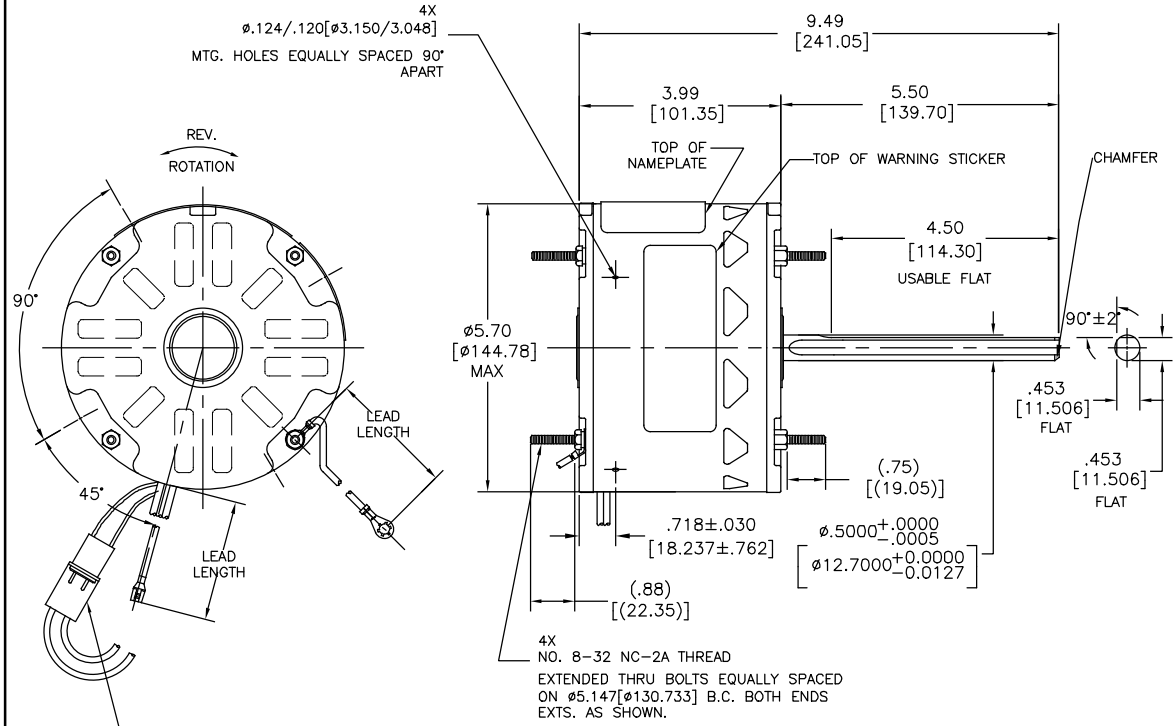
MOUNTING POSITION: VERTICAL SHAFT DOWN

ELECTRICAL DATA:

OVERLOAD PROTECTOR: AUTOMATIC RESET (T.I. 7AM 036)

LEADS: NO. 18 GA., .06[1.52] THK. PVC 105°C INSULATION.

GROUND LEAD: NO. 18 GA., .03[.76] THK. (GREEN) INSULATION.



NOTES:
 4X SCREWS 615982-001 TO BE PUT IN A POLYBAG.

NAMEPLATE DATA:	EXTERNAL CONNECTION DIAGRAM
MODEL NO.: F48SF6L10 CUST. P/N: ORM1026 HP: 1/4 ROT.: REVERSIBLE RPM: 1075 TYPE: UF FRAME: 48 VOLTS: 208-230 PH: 1 AMPS: 1.6 (2.0 MAX) HZ: 60 INS.: B AMB: 60° C DUTY: AIR OVER CAP.: 5.0 MFD/370 VAC ENCL: SEMI ENCL JL LOGO CSA LOGO THERMALLY PROTECTED	<p>SEP. CAP.</p> <p>BLK</p> <p>WHT</p> <p>CCWLE ROTATION</p> <p>BLK</p> <p>WHT</p> <p>CWLE ROTATION</p> <p>614131-115</p>

GREEN(GRD)	12/13 [305/330]	# 10 EYELET
BROWN	72/76 [1829/1930]	.25[6.35] FEMALE SPADE
BROWN/WHT	72/76 [1829/1930]	.25[6.35] FEMALE SPADE
YELLOW	48/52 [1219/1321]	.25[6.35] FEMALE SPADE
BLACK	48/52 [1219/1321]	.25[6.35] FEMALE SPADE
COLOR	LENGTH	TERMINAL OR STRIP LENGTH

REGAL-BELOIT CORPORATION (RBC) PROVIDES TECHNICAL ASSISTANCE TO OUR CUSTOMERS IN SEVERAL AREAS. SINCE RBC DOES NOT RECEIVE ALL DATA CONCERNING THE USE AND APPLICATION OF THE MOTOR, THE SUITABILITY OF THE MOTOR FOR THE APPLICATION MUST BE DETERMINED BY THE CUSTOMER.

DIMENSIONS WITHOUT TOLERANCES ARE FOR REFERENCE ONLY.

MAIN FRAME - OLE	OPEN
END FRAME - OLE	OPEN
MAIN FRAME - LE	CLOSED
END FRAME - LE	CLOSED

CUSTOMER	DISTRIBUTION SERVICE

PERFORMANCE CURVE NO.	TORQUE @ 1075 RPM (25°C)	APPROVED SAMPLE	UL COMPONENT		CSA	
			FILE #	CCN #	FILE #	CLASS #
C23482	22.8 OZ. FT.	EX11539	E46412	PRGY2	LR43341	260-0-0

DRAWING REVISION	REVISION BY	DATE
C	GELINE ZHAO	05-23-2019
ECO	KEYUN.QONG	05-23-2019

ECO DESCRIPTION
 SEE ECO

REGAL-BELOIT CORPORATION (RBC) PROVIDES TECHNICAL ASSISTANCE TO OUR CUSTOMERS IN SEVERAL AREAS. SINCE RBC DOES NOT RECEIVE ALL DATA CONCERNING THE USE AND APPLICATION OF THE MOTOR, THE SUITABILITY OF THE MOTOR FOR THE APPLICATION MUST BE DETERMINED BY THE CUSTOMER. DIMENSIONS WITHOUT TOLERANCES ARE FOR REFERENCE ONLY.

THIRD ANGLE PROJECTION	
------------------------	--

DRAWN BY: H.ZHU	DATE: 07-15-2014	Regal Beloit America, Inc. DESCRIPTION MODEL-RFHP-48FR OUTLINE
APPROVED BY: J.ZHU	DATE: 07-15-2014	
REFERENCE 11748-035-S01	MATERIAL	PROCESS/FINISH
SIZE DWG NO C	ORM1026	SHEET 1