

GENERAL INFORMATION:

SHAFT RUNOUT: .001[.02] T.I.R. PER INCH LENGTH OF EXTENSION.

END PLAY: .010[.25] TO .063[1.60]

BEARINGS: SLEEVE

MOUNTING POSITION: ALL ANGLE

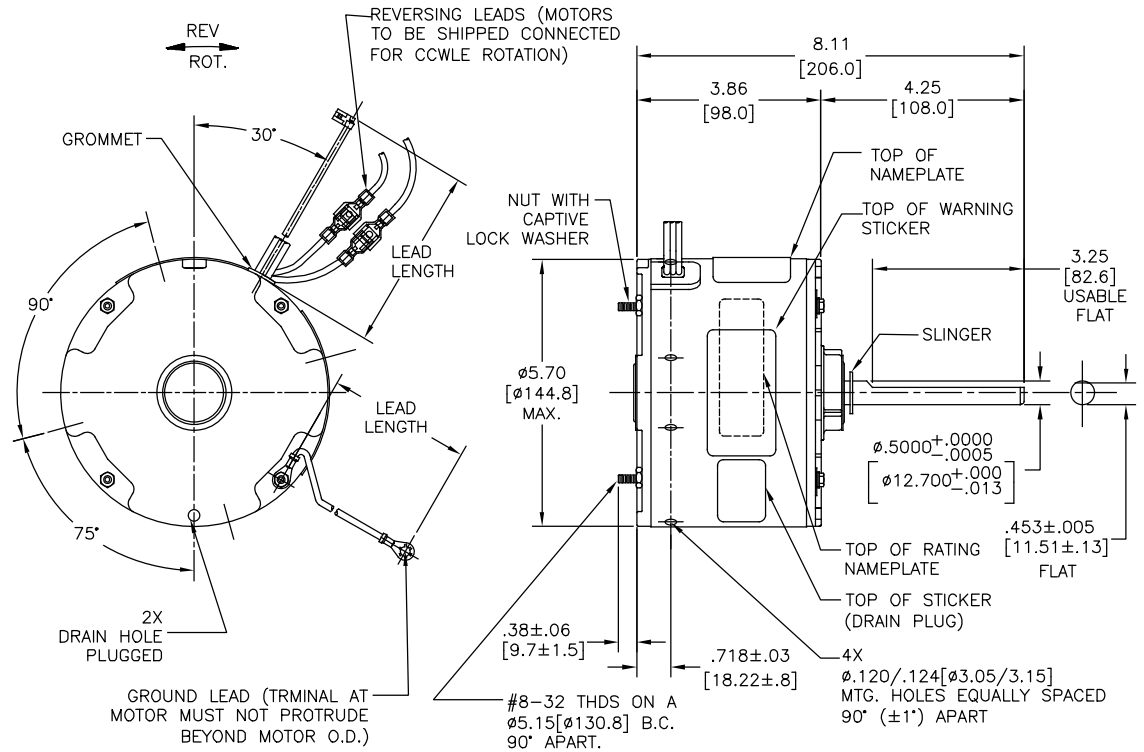
ELECTRICAL DATA:

OVERLOAD PROTECTOR: AUTOMATIC RESET (T.I. 7AM 036)

LEADS: NO. 18 GA., .06[1.5] THK., PVC 105°C INSUL.

REVERSING LEADS: NO. 18 GA., .03[.8] THK., 125°C INSUL.

GROUND LEAD: NO. 18 GA., .03[.8] THK., (GREEN) INSUL.



NOTES:  
 (4)SCREWS 615982-001 &  
 (4) EXTRA HEX NUTS  
 7555A19H01 TO BE PUT IN A  
 POLYBAG.

REGAL-BELOIT CORPORATION (RBC)  
 PROVIDES TECHNICAL ASSISTANCE TO OUR  
 CUSTOMERS IN SEVERAL AREAS. SINCE  
 RBC DOES NOT RECEIVE ALL DATA  
 CONCERNING THE USE AND APPLICATION OF  
 THE MOTOR, THE SUITABILITY OF THE  
 MOTOR FOR THE APPLICATION MUST BE  
 DETERMINED BY THE CUSTOMER.

DIMENSIONS WITHOUT TOLERANCES ARE FOR  
 REFERENCE ONLY.

MAIN FR -OLE	ENCLOSED
END FR -OLE	ENCLOSED
MAIN FR -OLE	ENCLOSED
END FR -OLE	ENCLOSED

GREEN(GND)	6.0[152]/7.0[178]	#10 EYELET
YELLOW(REV)	4.0[102]/5.0[127]	.25[6.4] MALE INSUL. SPADE
YELLOW(REV)	4.0[102]/5.0[127]	.25[6.4] FEMALE INSUL. SPADE
ORANGE(REV)	4.0[102]/5.0[127]	.25[6.4] MALE INSUL. SPADE
ORANGE(REV)	4.0[102]/5.0[127]	.25[6.4] FEMALE INSUL. SPADE
BROWN/WHITE	41.0[1041]/44.0[1117]	.25[6.4] FLAG
BROWN	41.0[1041]/44.0[1117]	.25[6.4] FLAG
WHITE	41.0[1041]/44.0[1117]	.25[6.4] FLAG
BLACK	41.0[1041]/44.0[1117]	.25[6.4] FLAG

LEAD DATA			
COLOR	LENGTH	TERMINAL OR STRIP LENGTH	

NAMEPLATE DATA	EXTERNAL CONNECTION DIAGRAM
MODEL No: F48V61A01 CUST P/N: [ ] HP: 1/5 ROT: REV. RPM: 1075 TYPE: UF FRAME: 48Y VOLTS: 208-230 PH: 1 AMPS: 1.4 HZ: 60 INS: B AMB: 40°C DUTY: AIR OVER CAP: 5 OR 3 MFD/370V ENCL: ENCLOSED UL LOGO CSA LOGO THERMALLY PROTECTED	SEP CAP. BROWN BRN/WHT WHITE BLACK LINE ROTATION AT LEAD END CCW CW YEL(1) YEL(2) YEL(1) ORN(2) ORN(1) ORN(2)

PERFORMANCE CURVE No.	TORQUE @1075 RPM (25°C)	APPROVED SAMPLE	UL COMPONENT FILE #	CCN#	CSA FILE#	CLASS#
C32397	17.8 OZ. FT.	0444592B	E46412	PRGY2	LR43341	4211-01

DRAWING REVISION	REVISION BY	DATE	DRAWN BY:	DATE:
B	GELINE ZHAO	05-23-2019	TW	04-30-2012
ECO	KEYUN.GONG	05-23-2019	APPROVED BY:	HZ
ECO-0166568			DATE:	04-30-2010
SEE ECO			REFERENCE	F48V61A01

PROPERTY AND CONFIDENTIAL INFORMATION - THIS DOCUMENT IS THE PROPERTY OF REGAL-BELOIT AMERICA, INC. CONFIDENTIAL AND CONTAINS OWNERS PROPRIETARY INFORMATION. ANY PERSON, CORPORATION OR OTHER FIRM RECEIVING IT IS DEEMED BY RECEIVING IT, TO AGREE THAT IT, AND/OR ANY PART OF IT, SHALL NOT BE DISCLOSED TO ANY PERSON, CORPORATION OR OTHER ENTITY, DUPLICATED, AND/OR USED, EXCEPT AS EXPRESSLY APPROVED IN WRITING BY AGENTS OF OWNER. THIS DOCUMENT SHALL BE RETURNED TO OWNER UPON REQUEST. IT MAY BE SUBJECT TO CERTAIN RESTRICTIONS UNDER APPLICABLE EXPORT CONTROL LAWS AND REGULATIONS.

ENCLOSURE	CUSTOMER	DISTRIBUTION SERVICES
REGAL BELOIT America, Inc.	MODEL-RFHP-48FR OUTLINE	
MATERIAL	PROCESS/FINISH	
SIZE DWG NO	ORM10206V1	SHEET 1