

REV	ECO	REV BY	DATE	APPD	DATE
B	0025556	F. MORENO	05-02-2012	M. AVILA	05-02-2012

GENERAL INFORMATION:

SHAFT RUNOUT: .001[.03] T.I.R. PER INCH LENGTH OF EXTENSION.

END PLAY: .010 TO .063 [.25 TO 16.0]

BEARINGS: SLEEVE

MOUNTING POSITION: VERTICAL SHAFT-DOWN

ELECTRICAL DATA:

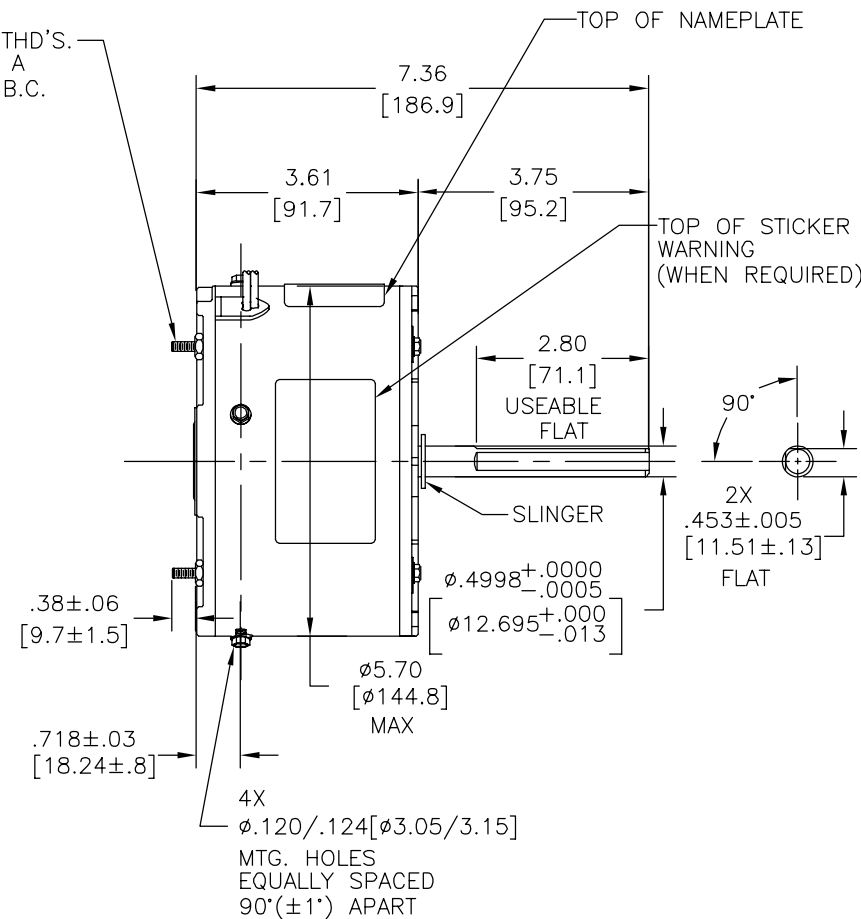
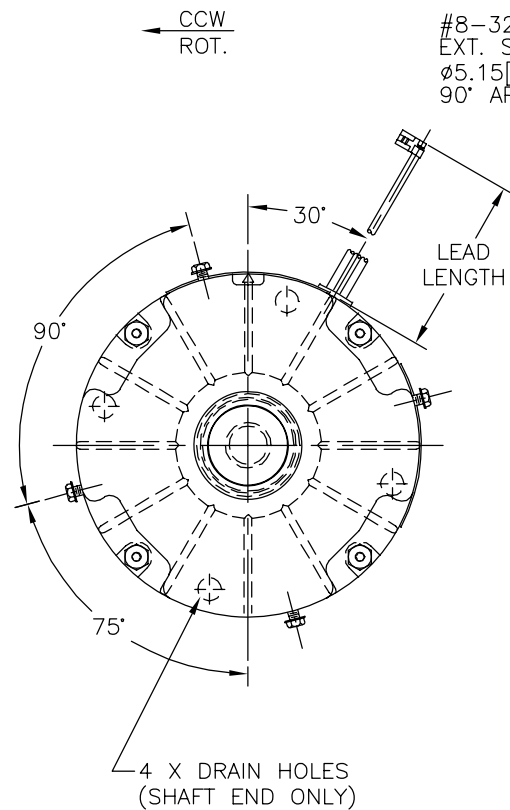
OVERLOAD PROTECTOR: AUTOMATIC RESET (T.I. 7AM 036)

LEADS: NO. 18 GA., .06[1.5] THK., PVC 105°C INSUL.

NOTES:

- DISTRIBUTION: CUST. P/N: ORM1016V1
GRAINGER: CUST. P/N: 4UY74

SEE NOTE 1



BROWN	39/42[991/1067]	.25[6.4] FLAG
ORANGE	39/42[991/1067]	.25[6.4] FLAG
BLACK	39/42[991/1067]	.25[6.4] FLAG

COLOR	LENGTH	TERMINAL OR STRIP LENGTH
-------	--------	--------------------------

LEAD DATA

MAIN FRAME - OLE	ENCLOSED
END FRAME - OLE	ENCLOSED (4) DRAIN HOLES
MAIN FRAME - LE	ENCLOSED
END FRAME - LE	ENCLOSED

CUST. GRAINGER

NAMEPLATE DATA:	EXTERNAL CONNECTION DIAGRAM
<p>MODEL: F48V48A01</p> <p>HP: 1/6</p> <p>ROT: CCWLE</p> <p>RPM: 1075</p> <p>TYPE: UF</p> <p>FRAME: 48Y</p> <p>VOLTS: 208-230</p> <p>PH: 1</p> <p>AMPS: 0.8-0.9</p> <p>HZ: 60</p> <p>INS: B</p> <p>AMB: 40°C</p> <p>DUTY: AIR OVER</p> <p>CAP.: 3 MFD/370 V</p> <p>ENCL: ENCLOSED</p> <p>UL LOGO</p> <p>CSA LOGO</p> <p>THERMALLY PROTECTED</p>	<p>614131-205</p>

PERFORMANCE CURVE NO.	TORQUE @ 1075 RPM (25°C)	APPROVED SAMPLE	UL COMPONENT		CSA	
C32389	12 OZ. FT.	0442623B	FILE #	GUIDE #	FILE #	GUIDE #
			E46412	PRGY2	LR43341	4211-01

GEOMETRIC CHARACTERISTICS & SYMBOLS

- FLATNESS
- STRAIGHTNESS
- ∠ ANGULARITY
- ⊥ PERPENDICULARITY (SQUARENESS)
- ∥ PARALLELISM
- ROUNDNESS (CIRCULARITY)
- ⊘ CYLINDRICITY
- △ PROFILE OF ANY SURFACE
- ∩ PROFILE OF ANY LINE
- ↗ RUNOUT
- ⊕ TRUE POSITION
- ◎ CONCENTRICITY
- ≡ SYMMETRY

ASME Y14.5M 1994

REGAL-BELOIT CORPORATION (RBC) PROVIDES TECHNICAL ASSISTANCE TO OUR CUSTOMERS IN SEVERAL AREAS. SINCE RBC DOES NOT RECEIVE ALL DATA CONCERNING THE USE AND APPLICATION OF THE MOTOR, THE SUITABILITY OF THE MOTOR FOR THE APPLICATION MUST BE DETERMINED BY THE CUSTOMER.

DIMENSIONS WITHOUT TOLERANCES ARE FOR REFERENCE ONLY.

DR BY: D.M.JONES 10-12-2004

APPD: T.TILE 10-13-2004

THIRD ANGLE PROJECTION

EDS DATE 11-11-2011
FORMAT REV G

CONFIDENTIAL: THIS DRAWING AND ITS INFORMATION ARE THE EXCLUSIVE AND CONFIDENTIAL PROPERTY OF REGAL-BELOIT CORPORATION AND ARE NOT TO BE DISCLOSED, DUPLICATED, DISTRIBUTED OR OTHERWISE USED WITHOUT THE WRITTEN CONSENT OF REGAL-BELOIT CORPORATION. -ALL RIGHTS RESERVED.

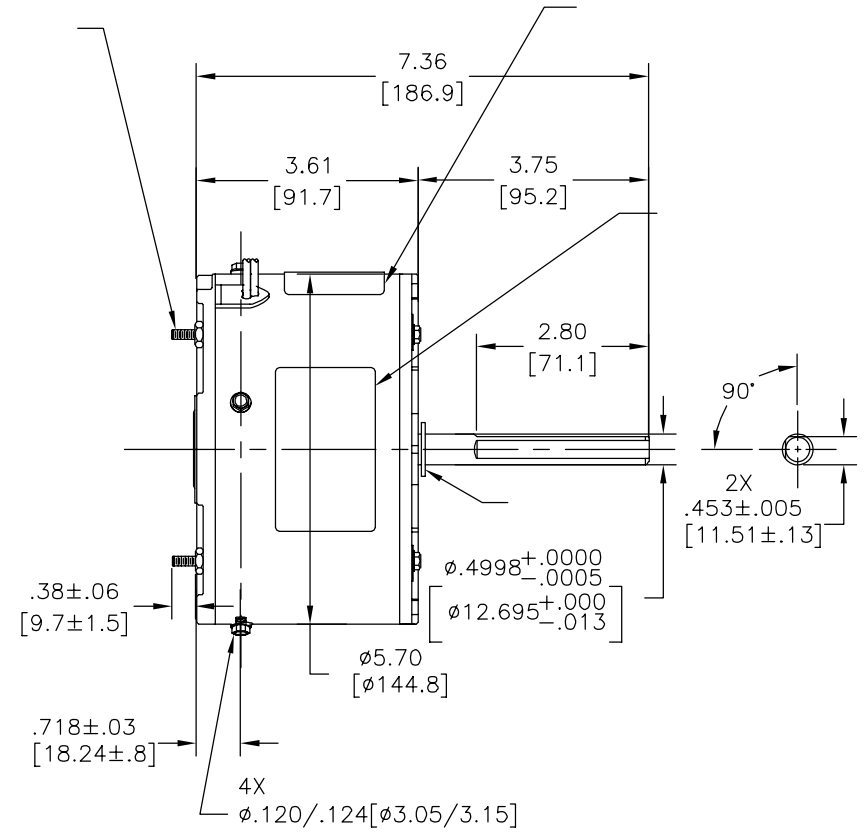
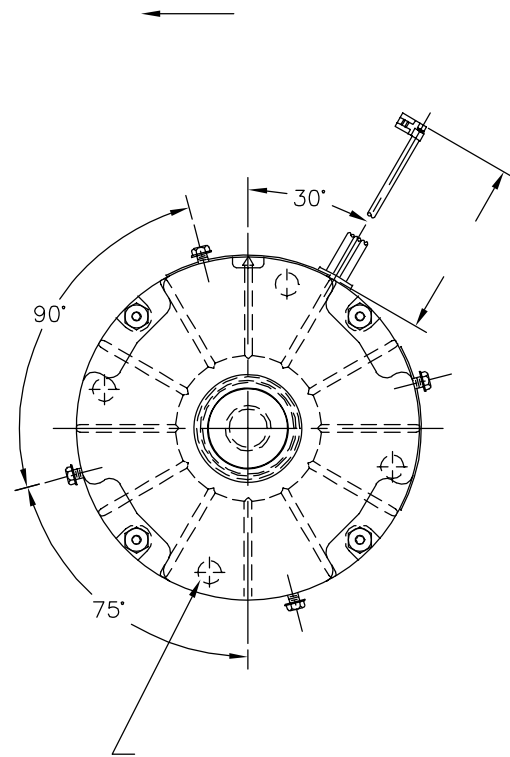
REGAL-BELOIT CORPORATION

DESCRIPTION: MODEL-RFHP-48FR OUTLINE

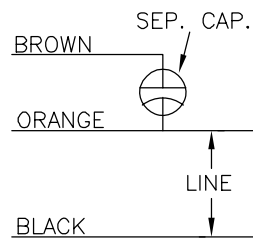
SIZE: C DWG NO: 11753-036

SCALE: NONE SHEET: 1

REVISION:	ECO	REVISADO POR:	FECHA:	APROBADO POR:	FECHA:
B	0025556	F. MORENO	05-02-2012	M. AVILA	05-02-2012



MODEL: F48V48A01
 HP: 1/6
 ROT: CCWLE
 RPM: 1075
 TYPE: UF
 FRAME: 48Y
 VOLTS: 208-230
 PH: 1
 AMPS: 0.8-0.9
 HZ: 60
 INS: B
 AMB: 40°C
 DUTY: AIR OVER
 CAP.: 3 MFD/370 V
 ENCL: ENCLOSED
 UL LOGO
 CSA LOGO
 THERMALLY PROTECTED



614131-205

39/42[991/1067]	.25[6.4]
39/42[991/1067]	.25[6.4]
39/42[991/1067]	.25[6.4]

GRAINGER

CARACTERISTICAS DE GEOMETRIA Y SIMBOLOS
 ▧ PLANICIDAD
 - RECTITUD
 < ANGULARIDAD
 ⊥ PERPENDICULARIDAD (A ESCUADRA)
 // PARALELISMO
 ○ REDONDEZ (CIRCULARIDAD)
 ∅ CILINDRICIDAD
 △ PERFIL DE CUALQUIER SUPERFICIE
 ∩ PERFIL DE CUALQUIER LINEA
 ↗ VARIACION
 ⊕ POSICION REAL
 ⊙ CONCENTRICIDAD
 = SIMETRIA
 ASME Y14.5M 1994

REGAL-BELOIT CORPORATION (RBC)
 PROVEE ASISTENCIA TECNICA A
 NUESTROS CLIENTES EN VARIAS AREAS.
 DESDE QUE RBC NO RECIBE TODOS
 LOS DATOS EN RELACION AL USO Y A
 LA APLICACION DEL MOTOR, LA
 APLICACION ADECUADA DEL MOTOR
 DEBE SER DETERMINADA POR EL
 CLIENTE.

DIMENSIONES SIN TOLERANCIA SON
 DE REFERENCIA SOLAMENTE

DIBUJADO POR:
 D.M.JONES

10-12-2004

APROBADO POR:
 T.TILE

10-13-2004

TERCER ANGULO
 DE PROYECCION



FECHA EDS: 11-11-2011
 REV. FORMATO: G

CONFIDENCIAL: ESTE DIBUJO Y SU INFORMACION
 SON PROPIEDAD DE USO EXCLUSIVO Y CONFIDENCIAL DE
 REGAL-BELOIT CORPORATION. Y NO DEBERAN SER REVELADOS,
 DUPLICADOS, DISTRIBUIDOS O USARSE DE OTRA MANERA
 SIN EL CONSENTIMIENTO ESCRITO DE REGAL-BELOIT
 CORPORATION. -TODOS LOS DERECHOS RESERVADOS.



DESCRIPCION:

MODEL-RFHP-48FR
 OUTLINE

TAMAÑO: C

NUMERO DE DIBUJO:
 11753-036

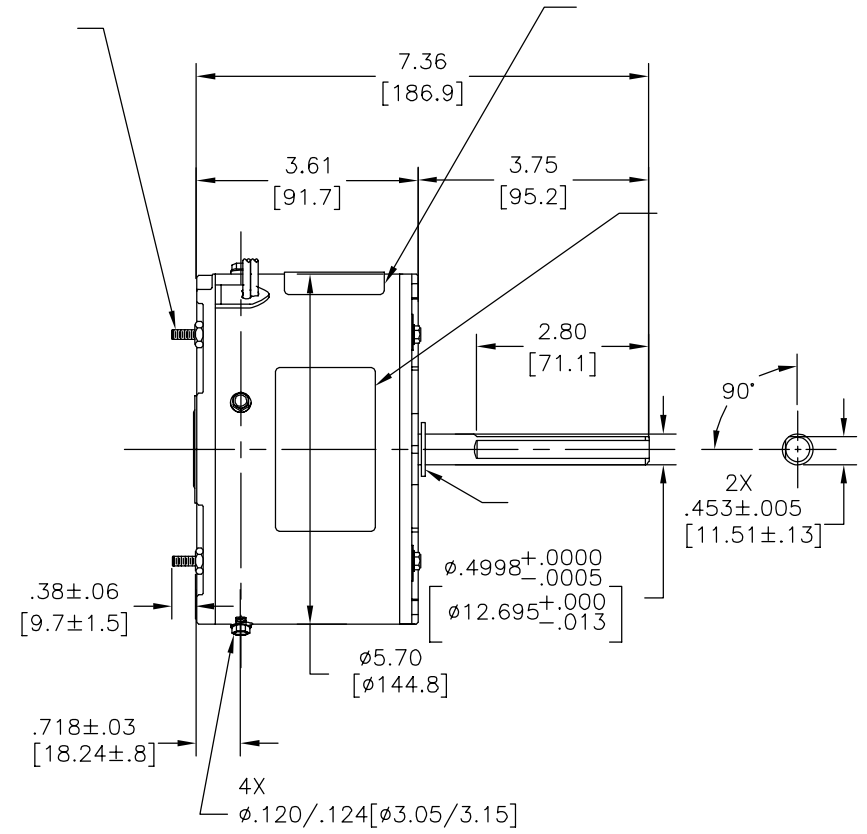
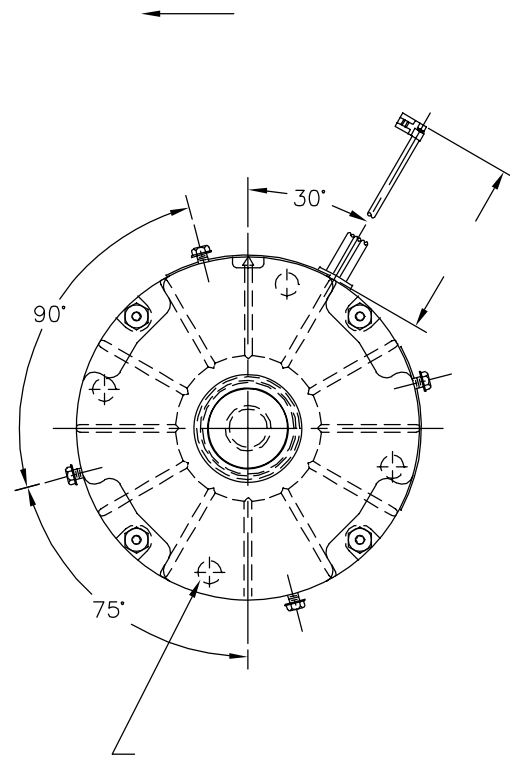
ESCALA: NONE

HOJA: 1

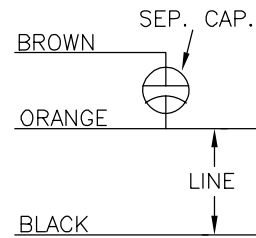
C32389	12 OZ. FT.	0442623B	E46412	PRGY2	LR43341	4211-01
--------	------------	----------	--------	-------	---------	---------

CSA

版本	ECO	编制	日期	批准	日期
B	0025556	F. MORENO	05-02-2012	M. AVILA	05-02-2012



MODEL: F48V48A01
 HP: 1/6
 ROT: CCWLE
 RPM: 1075
 TYPE: UF
 FRAME: 48Y
 VOLTS: 208-230
 PH: 1
 AMPS: 0.8-0.9
 HZ: 60
 INS: B
 AMB: 40°C
 DUTY: AIR OVER
 CAP.: 3 MFD/370 V
 ENCL: ENCLOSED
 UL LOGO
 CSA LOGO
 THERMALLY PROTECTED



614131-205

	39/42[991/1067]	.25[6.4]
	39/42[991/1067]	.25[6.4]
	39/42[991/1067]	.25[6.4]

GRAINGER

- 形位公差
- 平面度
- 直线度
- ∠ 倾斜度
- ⊥ 垂直度
- // 平行度
- 圆度
- ⊘ 圆柱度
- △ 面轮廓度
- ∩ 线轮廓度
- ↗ 圆跳动
- ⊕ 位置度
- ⊙ 同轴度
- ≡ 对称度

ASME Y14.5M 1994

REGAL-BELOIT CORPORATION (RBC) 在个别领域为客户提供技术支持。鉴于RBC未收到任何涉及电机使用和应用环境的数据，电机的适用性由客户自己决定。

未注公差尺寸仅供参考。

绘图:	D.M.JONES	10-12-2004
批准:	T.TILE	10-13-2004
第三角投影		图纸格式发布日期 11-11-2011 图纸格式版本 G
机密: 本图纸及相关信息所有权归REGAL-BELOIT CORPORATION。未经REGAL-BELOIT CORPORATION书面授权, 不得泄露、复制或传播作其他用途。—版权所有		



名称
MODEL-RFHP-48FR
OUTLINE

图幅 C 图号 11753-036

比例 NONE 页号 1

4

3

2

1

4

3

2

1