

GENERAL INFORMATION:

SHAFT RUNOUT: .001[.03] T.I.R PER INCH LENGTH OF EXTENSION

END PLAY: .010[.25] TO .063[1.60]

BEARINGS: SLEEVE

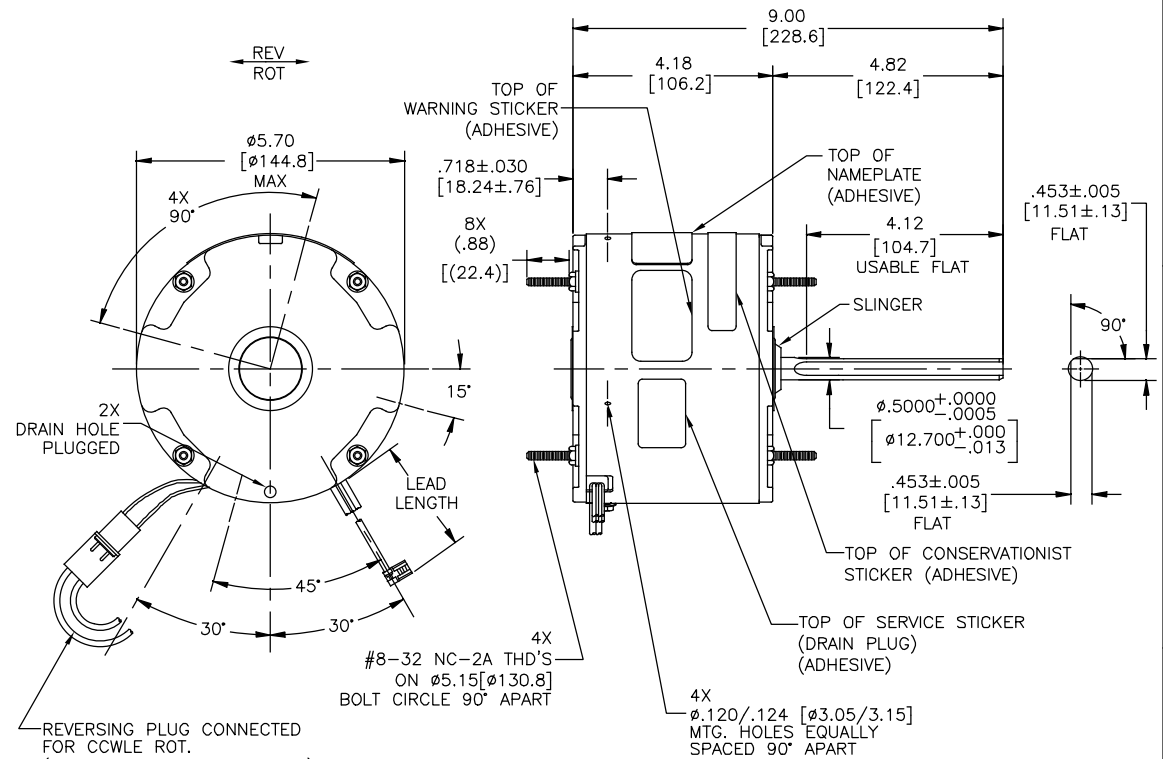
MOUNTING POSITION: ALL ANGLE

ELECTRICAL DATA:

OVERLOAD PROTECTOR: AUTOMATIC RESET (T.I. 7AM 304)

LEADS: NO. 18 AWG. .06[1.5] THK. 105°C PVC INSUL.

GROUND LEAD: NO. 18AWG .03[.8] THK. 125°C INSUL.



REVERSING PLUG CONNECTED FOR CWLE ROT. (BLK TO BLK & WHT TO WHT). REVERSE PLUG FOR CWLE (BLK TO WHT)

NOTES:
4X SCREWS 615982-001 TO BE PUT IN A POLYBAG.

NAMEPLATE DATA:	EXTERNAL CONNECTION DIAGRAM
MODEL NO.: F48872A01 CUST. P/N: ORM1008 HP: 1/8 ROT.: REVERSIBLE RPM: 825 TYPE: UF FRAME: 48Y VOLTS: 208-230 PH: 1 AMPS: 0.7(0.9 MAX) HZ: 60 INS.: B* AMB.: 50° C DUTY: AIR OVER CAP.: 5 MFD/370V ENCL: ENCLOSED UL LOGO CSA LOGO THERMALLY PROTECTED TYPE C	<p>SEP. CAP.</p> <p>BROWN</p> <p>BROWN/W</p> <p>ORANGE</p> <p>BLACK</p> <p>BLACK/WHITE</p> <p>WHITE</p> <p>BLACK/WHITE</p> <p>WHITE</p> <p>BLACK/WHITE</p> <p>WHITE</p> <p>CWLE ROTATION</p> <p>CWLE ROTATION</p>
614131-099	

PERFORMANCE CURVE NO.	TORQUE @ 825 RPM (25°C)	APPROVED SAMPLE	UL COMPONENT	CSA		
			FILE #	CCN #	FILE #	CLASS #
C30274	15 OZ. FT.	89AC023B	E46412	PRGY2	LR43341	4211-01

COLOR	LENGTH	TERMINAL OR STRIP LENGTH
BLACK/WHITE	3.5/5.5 [89/140]	REVERSING PLUG
BROWN	37.0/40.0 [940/1016]	.25[6.3] FLAG
BROWN/WHITE	40.0/43.0 [1016/1092]	.25[6.3] FLAG
ORANGE	40.0/43.0 [1016/1092]	.25[6.3] FLAG
BLACK	37.0/40.0 [940/1016]	.25[6.3] FLAG

REGAL-BELOIT CORPORATION (RBC) PROVIDES TECHNICAL ASSISTANCE TO OUR CUSTOMERS IN SEVERAL AREAS. SINCE RBC DOES NOT RECEIVE ALL DATA CONCERNING THE USE AND APPLICATION OF THE MOTOR, THE SUITABILITY OF THE MOTOR FOR THE APPLICATION MUST BE DETERMINED BY THE CUSTOMER.

DIMENSIONS WITHOUT TOLERANCES ARE FOR REFERENCE ONLY.

MAIN FRAME - OLE	ENCLOSED
END FRAME - OLE	ENCLOSED
MAIN FRAME - LE	ENCLOSED
END FRAME - LE	ENCLOSED

CUSTOMER	DISTRIBUTION

DRAWING REVISION	REVISION BY	DATE
E	GELINE ZHAO	05-23-2019
ECO	KEYUN QONG	05-23-2019
SEE ECO		

PROPRIETARY AND CONFIDENTIAL INFORMATION - THIS DOCUMENT IS THE PROPERTY OF REGAL-BELOIT AMERICA, INC. IT IS TO BE KEPT IN CONFIDENCE AND NOT TO BE DISCLOSED TO ANY PERSON, CORPORATION OR OTHER ENTITY, WITHOUT THE WRITTEN PERMISSION OF REGAL-BELOIT AMERICA, INC. ANY UNAUTHORIZED DISCLOSURE OR USE OF THIS DOCUMENT SHALL BE RETURNED TO OWNER UPON REQUEST. IT MAY BE SUBJECT TO CERTAIN RESTRICTIONS UNDER APPLICABLE EXPORT CONTROL LAWS AND REGULATIONS.

DRAWN BY:	DATE:	APPROVED BY:	DATE:	PROCESS/FINISH:
D.ZHANG	05-19-2011	C.ZHOU	05-19-2011	
ENCLOSURE				
REGAL-BELOIT AMERICA, Inc.		DESCRIPTION		
		MODEL-RFHP-48FR OUTLINE		
THIRD ANGLE PROJECTION		SIZE DWG NO		SHEET
C		ORM1008		1