

4

3

2

1

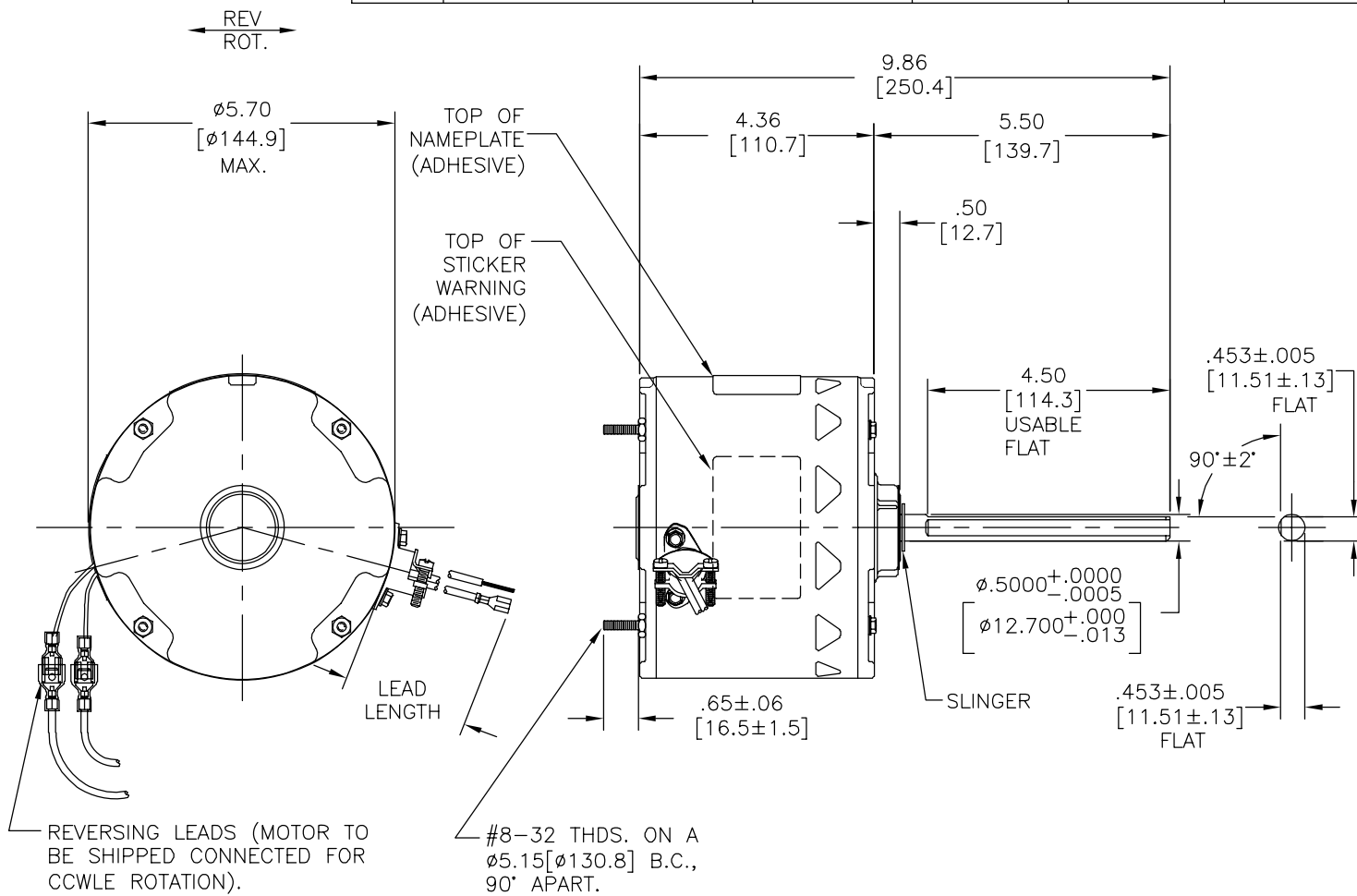
GENERAL INFORMATION:

SHAFT RUNOUT: .001[.03] T.I.R. PER INCH LENGTH OF EXTENSION  
 END PLAY: .010[.25] TO .063[1.60]  
 BEARINGS: SLEEVE  
 MOUNTING POSITION: VERTICAL SHAFT DOWN

ELECTRICAL DATA:

OVERLOAD PROTECTOR: AUTOMATIC RESET (SENSATA 7AM036)  
 LEADS: NO.18 AWG, .03[.8] THK.,125' INSUL

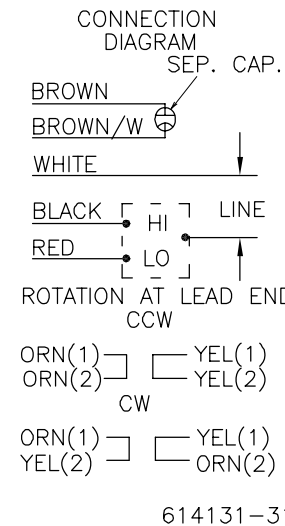
REV	ECO	REV BY	DATE	APPD	DATE
B	0024317	L.LI	04-10-2012	B.SHEN	04-10-2012



NAMEPLATE DATA:

EXTERNAL CONNECTION DIAGRAM

MODEL NO.: F48V14A01  
 CUST. P/N: OMM1036  
 HP: 1/3  
 ROT.: REVERSIBLE  
 RPM: 1075/2 SPD  
 TYPE: UF  
 FRAME: 48Y  
 VOLTS: 230  
 PH: 1  
 AMPS: 1.8  
 HZ: 60  
 INS.: B  
 AMB.: 40° C  
 DUTY: AIR OVER  
 CAP.: 5.0 MFD/370V  
 ENCL: SEMI-ENCL  
 UL LOGO  
 CSA LOGO  
 THERMALLY PROTECTED



BROWN	36.0/38.0 [914/965]	.25[6.4] FEMALE SPADE
BROWN/WHITE	36.0/38.0 [914/965]	.25[6.4] FEMALE SPADE
WHITE	36.0/38.0 [914/965]	.75[19.1] SKIN
BLACK	36.0/38.0 [914/965]	.75[19.1] SKIN
RED	36.0/38.0 [914/965]	.75[19.1] SKIN
ORANGE(REV)	4.0/5.0 [102/127]	.25[6.4] MALE INSUL. TAB
ORANGE(REV)	4.0/5.0 [102/127]	.25[6.4] FEMALE INSUL. SPADE
YELLOW(REV)	4.0/5.0 [102/127]	.25[6.4] MALE INSUL. TAB
YELLOW(REV)	4.0/5.0 [102/127]	.25[6.4] FEMALE INSUL. SPADE
COLOR	LENGTH	TERMINAL OR STRIP LENGTH

MAIN FRAME - OLE	OPEN
END FRAME - OLE	OPEN
MAIN FRAME - LE	ENCLOSED
END FRAME - LE	ENCLOSED

CUSTOMER	DISTRIBUTION SERVICE
----------	----------------------

PERFORMANCE CURVE NO.	TORQUE @ 1075 RPM (25°C)	APPROVED SAMPLE	UL COMPONENT		CSA	
C32316	26 OZ. FT.	0442972B	FILE #	CCN #	FILE #	CLASS #
			E46412	PRGY2	LR43341	4211-01

GEOMETRIC CHARACTERISTICS & SYMBOLS

- FLATNESS
- STRAIGHTNESS
- ∠ ANGULARITY
- ⊥ PERPENDICULARITY (SQUARENESS)
- // PARALLELISM
- ROUNDNESS (CIRCULARITY)
- ∅ CYLINDRICITY
- △ PROFILE OF ANY SURFACE
- ∩ PROFILE OF ANY LINE
- ↗ RUNOUT
- ⊕ TRUE POSITION
- ◎ CONCENTRICITY
- ≡ SYMMETRY

ASME Y14.5M 1994

REGAL-BELOIT CORPORATION (RBC) PROVIDES TECHNICAL ASSISTANCE TO OUR CUSTOMERS IN SEVERAL AREAS. SINCE RBC DOES NOT RECEIVE ALL DATA CONCERNING THE USE AND APPLICATION OF THE MOTOR, THE SUITABILITY OF THE MOTOR FOR THE APPLICATION MUST BE DETERMINED BY THE CUSTOMER.

DIMENSIONS WITHOUT TOLERANCES ARE FOR REFERENCE ONLY.

DR BY: L.LI 04-10-2012

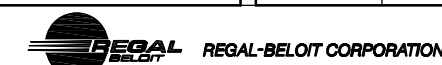
APPD: B.SHNE 04-10-2012

THIRD ANGLE PROJECTION

EDS DATE 11-11-2011

FORMAT REV G

CONFIDENTIAL: THIS DRAWING AND ITS INFORMATION ARE THE EXCLUSIVE AND CONFIDENTIAL PROPERTY OF REGAL-BELOIT CORPORATION AND ARE NOT TO BE DISCLOSED, DUPLICATED, DISTRIBUTED OR OTHERWISE USED WITHOUT THE WRITTEN CONSENT OF REGAL-BELOIT CORPORATION. -ALL RIGHTS RESERVED.



DESCRIPTION: MODEL-RFHP-48FR OUTLINE

SIZE: C DWG NO: OMM1036

SCALE: NONE SHEET: 1

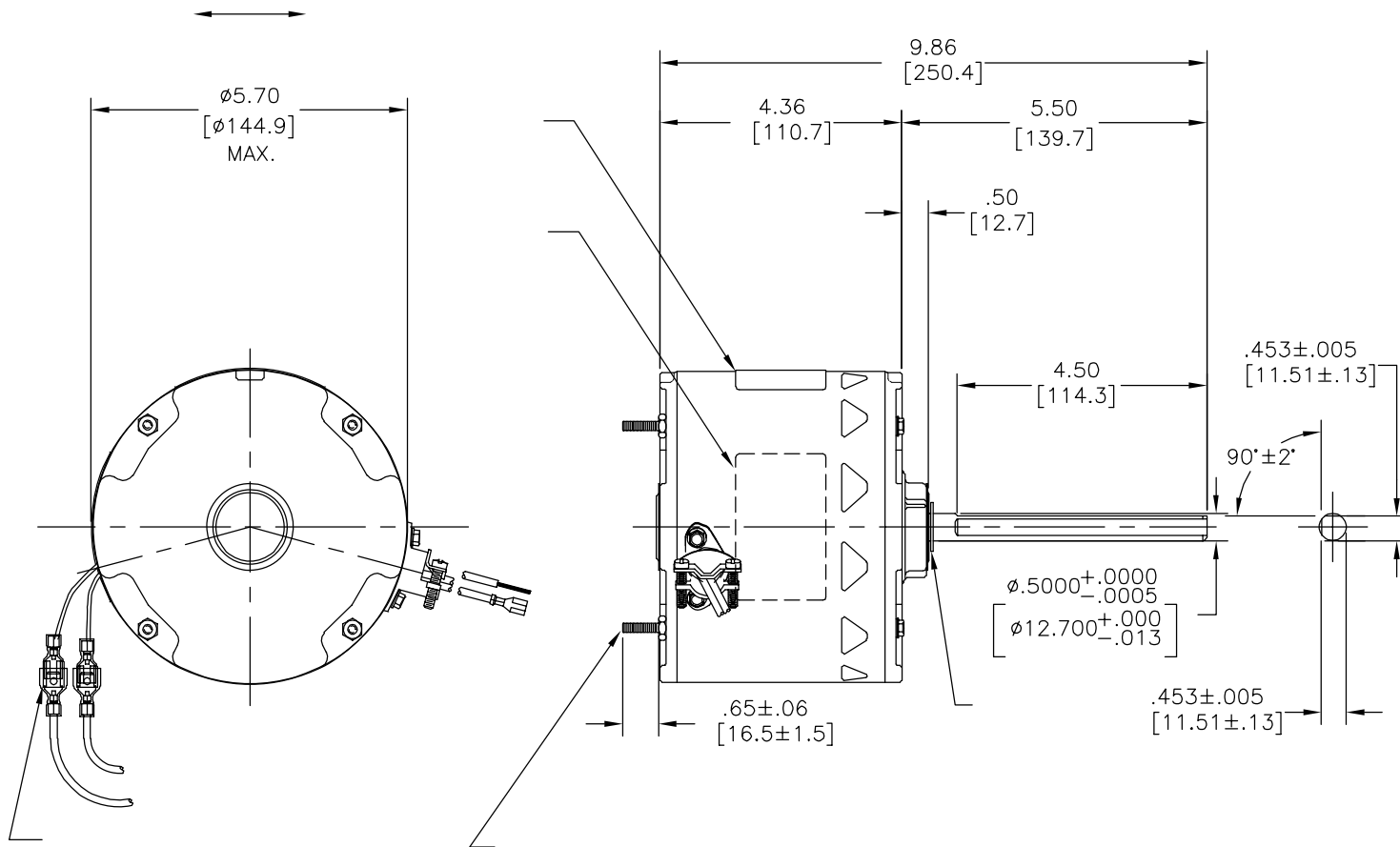
4

3

2

1

REVISION:	ECO	REVISADO POR:	FECHA:	APROBADO POR:	FECHA:
B	0024317	L.LI	04-10-2012	B.SHEN	04-10-2012



NAMEPLATE DATA:		EXTERNAL CONNECTION DIAGRAM	
MODEL NO.: F48V14A01 CUST. P/N: OMM1036 HP: 1/3 ROT.: REVERSIBLE RPM: 1075/2 SPD TYPE: UF FRAME: 48Y VOLTS: 230 PH: 1 AMPS: 1.8 HZ: 60 INS.: B AMB.: 40° C DUTY: AIR OVER CAP.: 5.0 MFD/370V ENCL: SEMI-ENCL UL LOGO CSA LOGO THERMALLY PROTECTED		CONNECTION DIAGRAM SEP. CAP. BROWN BROWN/W WHITE BLACK HI LINE RED LO ROTATION AT LEAD END CCW ORN(1) YEL(1) ORN(2) YEL(2) CW ORN(1) YEL(1) YEL(2) ORN(2)	
614131-314			

PERFORMANCE CURVE NO.	TORQUE @ 1075 RPM (25°C)	APPROVED SAMPLE	UL COMPONENT FILE #	CCN #	CSA FILE #	CLASS #
C32316	26 OZ. FT.	0442972B	E46412	PRGY2	LR43341	4211-01

	36.0/38.0	
	[914/965]	
	36.0/38.0	
	[914/965]	
	36.0/38.0	
	[914/965]	
	36.0/38.0	
	[914/965]	
	4.0/5.0	
	[102/127]	
	4.0/5.0	
	[102/127]	
	4.0/5.0	
	[102/127]	
	4.0/5.0	
	[102/127]	

CARACTERISTICAS DE GEOMETRIA Y SIMBOLOS

- ∠ PLANICIDAD
- RECTITUD
- ∠ ANGULARIDAD
- ⊥ PERPENDICULARIDAD (A ESCUADRA)
- // PARALELISMO
- REDONDEZ (CIRCULARIDAD)
- ∅ CILINDRICIDAD
- △ PERFIL DE CUALQUIER SUPERFICIE
- ∩ PERFIL DE CUALQUIER LINEA
- ∧ VARIACION
- ⊕ POSICION REAL
- ◎ CONCENTRICIDAD
- = SIMETRIA

ASME Y14.5M 1994

REGAL-BELOIT CORPORATION (RBC) PROVEE ASISTENCIA TECNICA A NUESTROS CLIENTES EN VARIAS AREAS. DESDE QUE RBC NO RECIBE TODOS LOS DATOS EN RELACION AL USO Y A LA APLICACION DEL MOTOR, LA APLICACION ADECUADA DEL MOTOR DEBE SER DETERMINADA POR EL CLIENTE.

DIMENSIONES SIN TOLERANCIA SON DE REFERENCIA SOLAMENTE

DIBUJADO POR: L.LI 04-10-2012

APROBADO POR: B.SHNE 04-10-2012

TERCER ANGULO DE PROYECCION

FECHA EDS: 11-11-2011

REV. FORMATO: G

CONFIDENCIAL: ESTE DIBUJO Y SU INFORMACION SON PROPIEDAD DE USO EXCLUSIVO Y CONFIDENCIAL DE REGAL-BELOIT CORPORATION. Y NO DEBERAN SER REVELADOS, DUPLICADOS, DISTRIBUIDOS O USARSE DE OTRA MANERA SIN EL CONSENTIMIENTO ESCRITO DE REGAL-BELOIT CORPORATION. -TODOS LOS DERECHOS RESERVADOS.

**REGAL-BELOIT CORPORATION**

DESCRIPCION: MODEL-RFHP-48FR OUTLINE

TAMAÑO: C NUMERO DE DIBUJO: OMM1036

ESCALA: NONE HOJA: 1

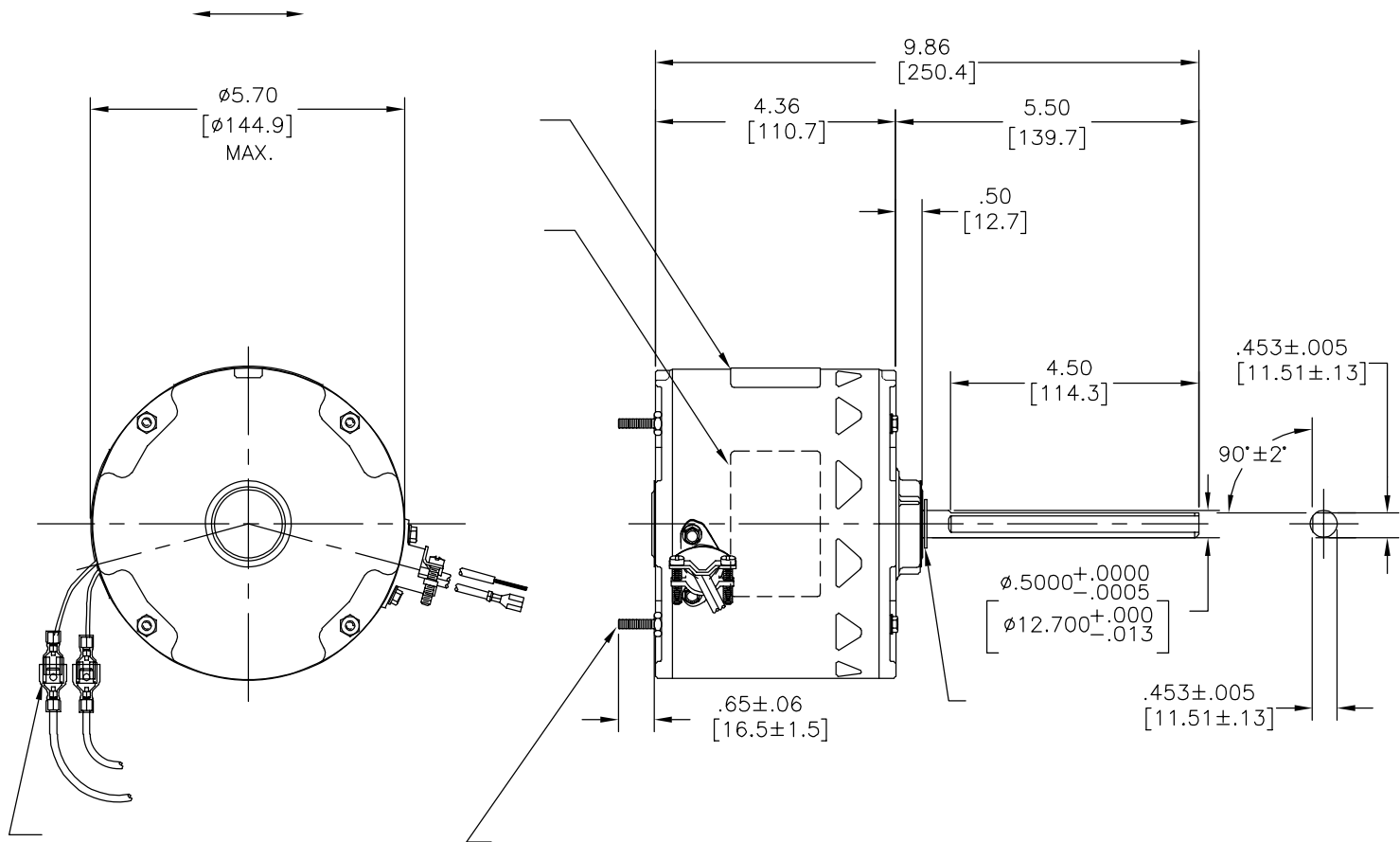
4

3

2

1

版本	ECO	编制	日期	批准	日期
B	0024317	L.LI	04-10-2012	B.SHEN	04-10-2012



NAMEPLATE DATA:		EXTERNAL CONNECTION DIAGRAM	
MODEL NO.: F48V14A01 CUST. P/N: OMM1036 HP: 1/3 ROT.: REVERSIBLE RPM: 1075/2 SPD TYPE: UF FRAME: 48Y VOLTS: 230 PH: 1 AMPS: 1.8 HZ: 60 INS.: B AMB.: 40° C DUTY: AIR OVER CAP.: 5.0 MFD/370V ENCL: SEMI-ENCL UL LOGO CSA LOGO THERMALLY PROTECTED		CONNECTION DIAGRAM SEP. CAP. BROWN BROWN/W WHITE BLACK HI LINE RED LO ROTATION AT LEAD END CCW ORN(1) YEL(1) ORN(2) YEL(2) CW ORN(1) YEL(1) YEL(2) ORN(2)	
614131-314			

PERFORMANCE CURVE NO.	TORQUE @ 1075 RPM (25°C)	APPROVED SAMPLE	UL COMPONENT		CSA	
C32316	26 OZ. FT.	0442972B	FILE #	CCN #	FILE #	CLASS #
			E46412	PRGY2	LR43341	4211-01

	36.0/38.0	
	[914/965]	
	36.0/38.0	
	[914/965]	
	36.0/38.0	
	[914/965]	
	36.0/38.0	
	[914/965]	
	4.0/5.0	
	[102/127]	
	4.0/5.0	
	[102/127]	
	4.0/5.0	
	[102/127]	
	4.0/5.0	
	[102/127]	


形位公差	REGAL-BELOIT CORPORATION
□ 平面度	(RBC)在个别领域为客户
— 直线度	提供技术支持。鉴于RBC
∠ 倾斜度	未收到任何涉及电机使用
⊥ 垂直度	和应用环境的数据,电机的适用性
// 平行度	由客户自己决定。
○ 圆度	
⊘ 圆柱度	
△ 面轮廓度	
∩ 线轮廓度	
↗ 圆跳动	
⊕ 位置度	
⊙ 同轴度	
≡ 对称度	
	未注公差尺寸仅供参考。
	ASME Y14.5M 1994

绘图:	L.LI	04-10-2012
批准:	B.SHNE	04-10-2012
第三角投影		图纸格式发布日期 11-11-2011 图纸格式版本 G
机密:	本图纸及相关信息所有权归REGAL-BELOIT CORPORATION。未经REGAL-BELOIT CORPORATION书面授权,不得泄露、复制、传播或作其他用途。一版权所有	

名称 MODEL-RFHP-48FR OUTLINE	
图幅 C	图号 OMM1036
比例 NONE	页号 1

4

3

2

1