

| REV | ECO | REV BY | DATE | APPD | DATE |
|-----|---------|--------|------------|--------|------------|
| D | 0026383 | Y.PENG | 05-28-2012 | B.SHEN | 05-28-2012 |

GENERAL INFORMATION:

SHAFT RUNOUT: .001[.03] T.I.R. PER INCH LENGTH OF EXTENSION

END PLAY: .010[.25] TO .063[1.60]

BEARINGS: SLEEVE

MOUNTING POSITION: VERTICAL - SHAFT DOWN

ELECTRICAL DATA:

OVERLOAD PROTECTOR: AUTOMATIC RESET (T.I. 7AM 304)

NO. 18 GA., .06[1.5] THK., EPDM 125°C INSULATION

| NAMEPLATE DATA: | EXTERNAL CONNECTION DIAGRAM |
|--|-----------------------------|
| MODEL NO.: F42B59A01 CUST. P/N: HP: 1/5 ROT.: CWLE RPM: 1075 OMC6517 TYPE: FLL FRAME: VOLTS: PH: 1 AMPS: 1.42Y HZ: 60 208-230 INS.: B* AMB.: 40° C DUTY: AIR OVER CAP.: 5 MFD/ 370V ENCL: - UL LOGO CSA LOGO THERMALLY PROTECTED TYPE C | |

| | | |
|--------|------------------------|--------------------------|
| YELLOW | 34.5/37.5 [876/953] | .25[6.4] FEMALE SPADE |
| RED | 34.5/37.5 [876/953] | .25[6.4] FEMALE SPADE |
| BLACK | 34.5/37.5 [876/953] | .25[6.4] FEMALE SPADE |
| COLOR | LENGTH | TERMINAL OR STRIP LENGTH |

| | |
|------------------|----------|
| MAIN FRAME - OLE | ENCLOSED |
| END FRAME - OLE | OPEN |
| MAIN FRAME - LE | ENCLOSED |
| END FRAME - LE | ENCLOSED |

| | |
|----------|-----------------------|
| CUSTOMER | DISTRIBUTION SERVICES |
|----------|-----------------------|

| PERFORMANCE CURVE NO. | TORQUE @ 1075 RPM (25°C) | APPROVED SAMPLE | UL COMPONENT FILE # | CCN # | CSA FILE # | CLASS # |
|-----------------------|--------------------------|-----------------|---------------------|-------|------------|---------|
| C30106 | 25.4 OZ. FT. | 322P859 | E46412 | PRGY2 | LR43341 | 4211-01 |

GEOMETRIC CHARACTERISTICS & SYMBOLS

- FLATNESS
- STRAIGHTNESS
- ANGULARITY
- PERPENDICULARITY (SQUARENESS)
- PARALLELISM
- ROUNDNESS (CIRCULARITY)
- CYLINDRICITY
- PROFILE OF ANY SURFACE
- PROFILE OF ANY LINE
- RUNOUT
- TRUE POSITION
- CONCENTRICITY
- SYMMETRY

ASME Y14.5M 1994

REGAL-BELOIT CORPORATION (RBC) PROVIDES TECHNICAL ASSISTANCE TO OUR CUSTOMERS IN SEVERAL AREAS. SINCE RBC DOES NOT RECEIVE ALL DATA CONCERNING THE USE AND APPLICATION OF THE MOTOR, THE SUITABILITY OF THE MOTOR FOR THE APPLICATION MUST BE DETERMINED BY THE CUSTOMER.

DIMENSIONS WITHOUT TOLERANCES ARE FOR REFERENCE ONLY.

DR BY: HEATH 11-08-1993

APPD:

THIRD ANGLE PROJECTION

EDS DATE 11-11-2011
FORMAT REV H

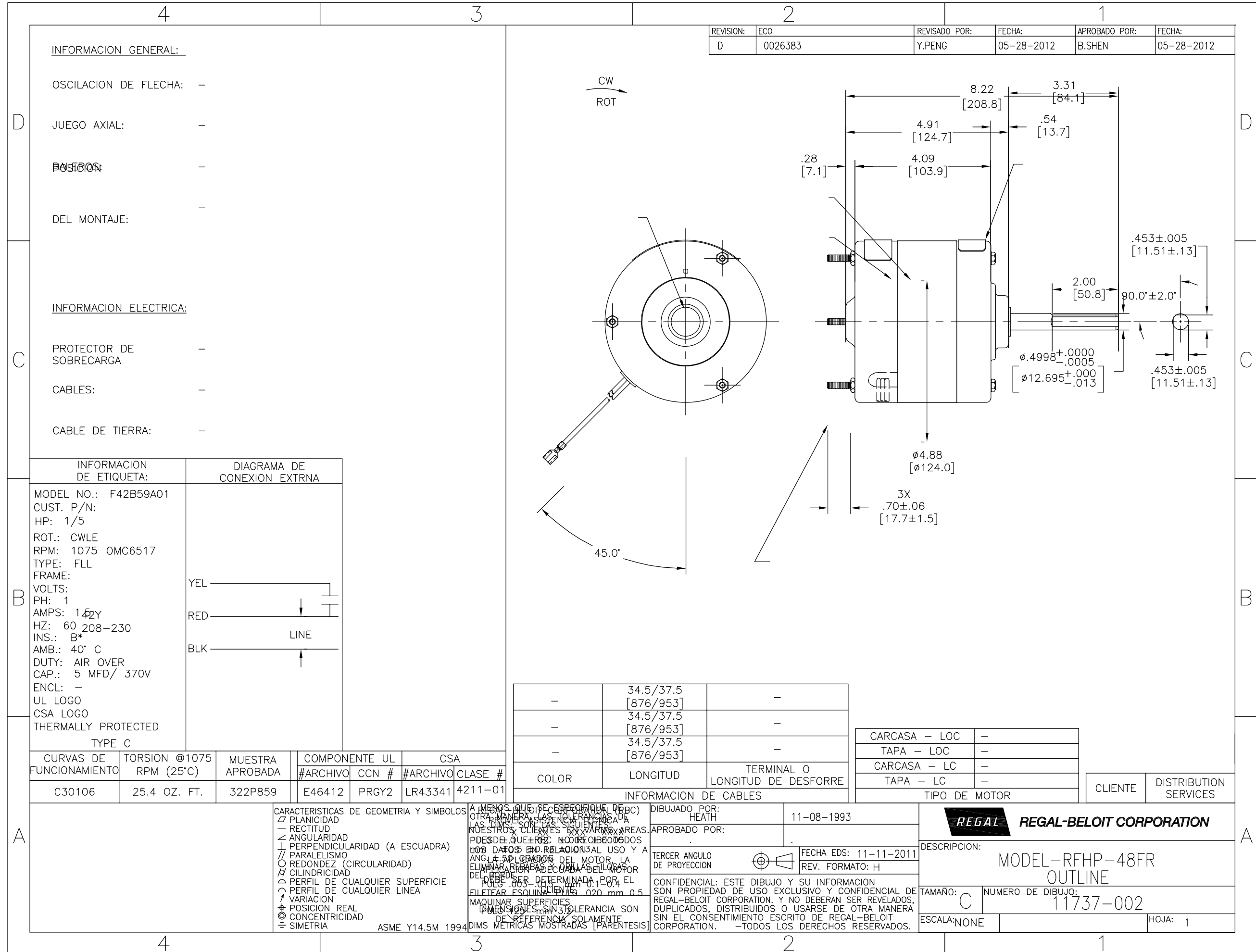
CONFIDENTIAL: THIS DRAWING AND ITS INFORMATION ARE THE EXCLUSIVE AND CONFIDENTIAL PROPERTY OF REGAL-BELOIT CORPORATION AND ARE NOT TO BE DISCLOSED, DUPLICATED, DISTRIBUTED OR OTHERWISE USED WITHOUT THE WRITTEN CONSENT OF REGAL-BELOIT CORPORATION. -ALL RIGHTS RESERVED.

REGAL REGAL-BELOIT CORPORATION

DESCRIPTION: MODEL-RFHP-48FR OUTLINE

SIZE: C DWG NO: 11737-002

SCALE: NONE SHEET: 1



| | | | | | |
|-----------|---------|---------------|------------|---------------|------------|
| REVISION: | ECO | REVISADO POR: | FECHA: | APROBADO POR: | FECHA: |
| D | 0026383 | Y.PENG | 05-28-2012 | B.SHEN | 05-28-2012 |

INFORMACION GENERAL:

OSCILACION DE FLECHA: -

JUEGO AXIAL: -

BASES: -

DEL MONTAJE: -

INFORMACION ELECTRICA:

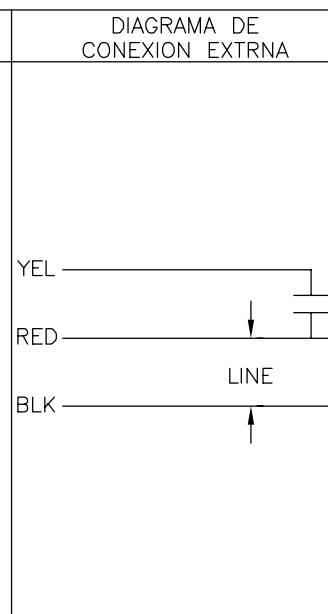
PROTECTOR DE SOBRECARGA: -

CABLES: -

CABLE DE TIERRA: -

INFORMACION DE ETIQUETA:

MODEL NO.: F42B59A01
 CUST. P/N:
 HP: 1/5
 ROT.: CWLE
 RPM: 1075 OMC6517
 TYPE: FLL
 FRAME:
 VOLTS:
 PH: 1
 AMPS: 1.42Y
 HZ: 60 208-230
 INS.: B*
 AMB.: 40° C
 DUTY: AIR OVER
 CAP.: 5 MFD/ 370V
 ENCL: -
 UL LOGO
 CSA LOGO
 THERMALLY PROTECTED
 TYPE C



| | | |
|--------|--------------|---------------------------------|
| - | 34.5/37.5 | - |
| - | [876/953] | - |
| - | 34.5/37.5 | - |
| - | [876/953] | - |
| - | 34.5/37.5 | - |
| - | [876/953] | - |
| COLOR | LONGITUD | TERMINAL O LONGITUD DE DESFORRE |
| C30106 | 25.4 OZ. FT. | 322P859 |

INFORMACION DE CABLES

| | |
|---------------|---|
| CARCASA - LOC | - |
| TAPA - LOC | - |
| CARCASA - LC | - |
| TAPA - LC | - |

TIPO DE MOTOR

| | |
|---------|-----------------------|
| CLIENTE | DISTRIBUTION SERVICES |
|---------|-----------------------|

CARACTERISTICAS DE GEOMETRIA Y SIMBOLOS

- ▮ PLANICIDAD
- RECTITUD
- ∠ ANGULARIDAD
- ⊥ PERPENDICULARIDAD (A ESCUADRA)
- // PARALELISMO
- REDONDEZ (CIRCULARIDAD)
- ∅ CILINDRICIDAD
- △ PERFIL DE CUALQUIER SUPERFICIE
- ∩ PERFIL DE CUALQUIER LINEA
- ↑ VARIACION
- ⊕ POSICION REAL
- ◎ CONCENTRICIDAD
- ≡ SIMETRIA

ASME Y14.5M 1994

A MENOS QUE SE ESPECIFIQUE DEBC) OTRA MANERA LAS TOLERANCIAS A LAS DIMENSIONES SON LAS SIGUIENTES: NUESTROS CLIENTES EN VARIAS AREAS PUEDE QUE REQUIERAN COTACIONES DE LOS DATOS EN RELACIONAL USO Y A ANG. ± 90 GRADOS DEL MOTOR LA ELIMINAR REBABA DECORADA DEL MOTOR DEL MOTOR SER DETERMINADA POR EL PULO .003 - .010 mm 0.1 - 0.4 FILETEAR ESQUINA EN MG .020 mm 0.5 MAQUINAR SUPERFICIES DIMENSIONES SIN TOLERANCIA SON DE REFERENCIA SOLAMENTE DIMS METRICAS MOSTRADAS [PARENTESIS]

DIBUJADO POR: HEATH 11-08-1993

APROBADO POR:

TERCER ANGULO DE PROYECCION

FECHA EDS: 11-11-2011

REV. FORMATO: H

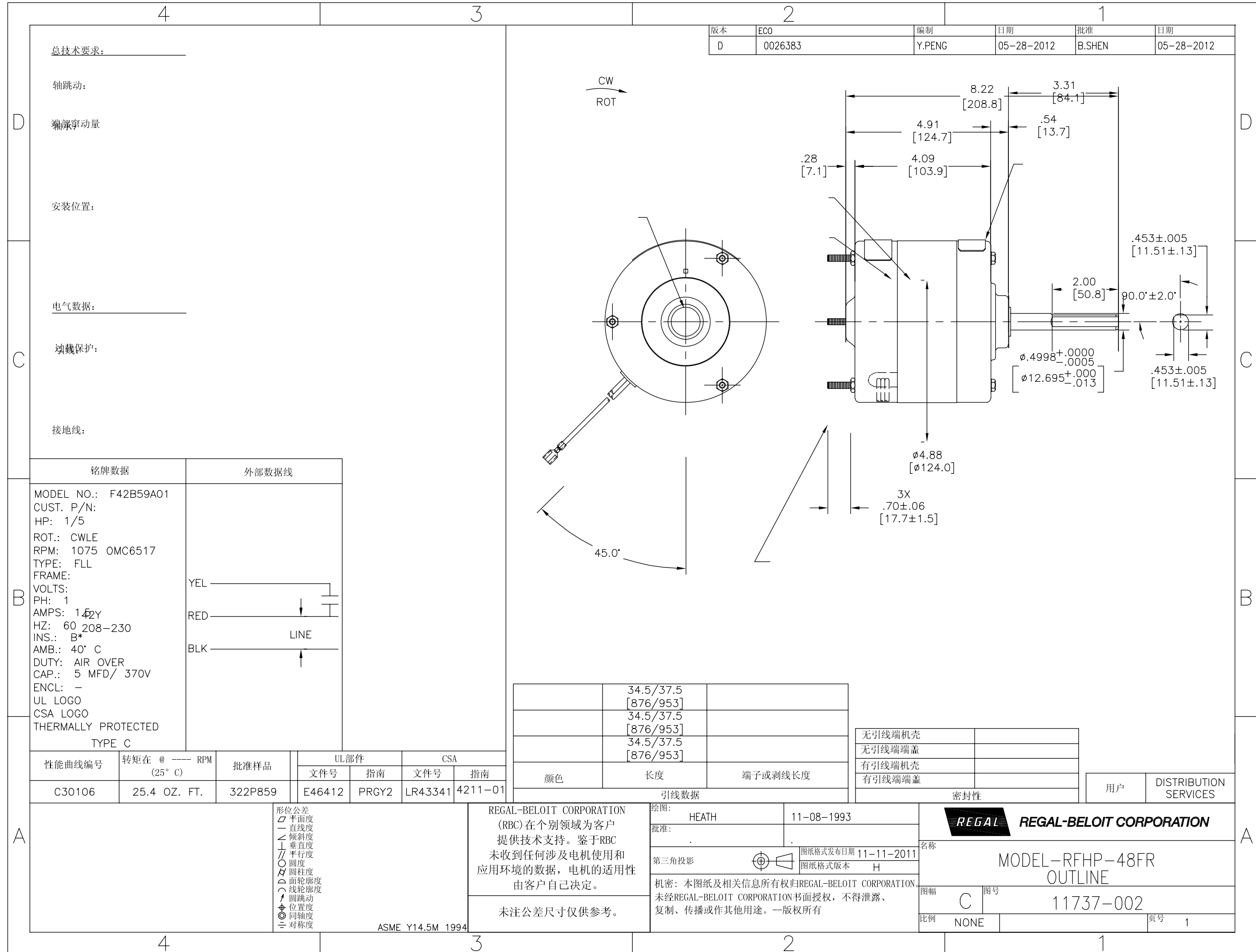
CONFIDENCIAL: ESTE DIBUJO Y SU INFORMACION SON PROPIEDAD DE USO EXCLUSIVO Y CONFIDENCIAL DE REGAL-BELOIT CORPORATION. Y NO DEBERAN SER REVELADOS, DUPLICADOS, DISTRIBUIDOS O USARSE DE OTRA MANERA SIN EL CONSENTIMIENTO ESCRITO DE REGAL-BELOIT CORPORATION. -TODOS LOS DERECHOS RESERVADOS.

REGAL REGAL-BELOIT CORPORATION

DESCRIPCION: MODEL-RFHP-48FR OUTLINE

TAMAÑO: C NUMERO DE DIBUJO: 11737-002

ESCALA: NONE HOJA: 1



| | | | | | |
|----|---------|--------|------------|--------|------------|
| 版本 | ECO | 编制 | 日期 | 批准 | 日期 |
| D | 0026383 | Y.PENG | 05-28-2012 | B.SHEN | 05-28-2012 |

总技术要求: _____
 轴跳动:
 轴窜动量
 安装位置:
 电气数据: _____
 绝缘保护:
 接地线:

| 铭牌数据 | 外部数据线 |
|--|---|
| MODEL NO.: F42B59A01 CUST. P/N: HP: 1/5 ROT.: CWLE RPM: 1075 OMC6517 TYPE: FLL FRAME: VOLTS: PH: 1 AMPS: 1.42Y HZ: 60 208-230 INS.: B* AMB.: 40° C DUTY: AIR OVER CAP.: 5 MFD/ 370V ENCL: - UL LOGO CSA LOGO THERMALLY PROTECTED TYPE C | YEL _____ RED _____ BLK _____ LINE |

| | | |
|--|-----------|--|
| | 34.5/37.5 | |
| | [876/953] | |
| | 34.5/37.5 | |
| | [876/953] | |
| | 34.5/37.5 | |
| | [876/953] | |

| 颜色 | 长度 | 端子或剥线长度 |
|----|----|---------|
| | | |

| | |
|--------|--|
| 无引线端机壳 | |
| 无引线端端盖 | |
| 有引线端机壳 | |
| 有引线端端盖 | |

| | |
|----|-----------------------|
| 用户 | DISTRIBUTION SERVICES |
|----|-----------------------|

- 形位公差
- 平面度
- 直线度
- ∠ 倾斜度
- ⊥ 垂直度
- ∥ 平行度
- 圆度
- ⊘ 圆柱度
- 面轮廓度
- 线轮廓度
- ⊙ 圆跳动
- ⊕ 位置度
- ◎ 同轴度
- ≡ 对称度

ASME Y14.5M 1994

REGAL-BELOIT CORPORATION (RBC) 在个别领域为客户提供技术支持。鉴于RBC未收到任何涉及电机使用和应用环境的数据，电机的适用性由客户自己决定。

未注公差尺寸仅供参考。

绘图: HEATH 11-08-1993
 批准:
 第三角投影
 机密: 本图纸及相关信息所有权归REGAL-BELOIT CORPORATION 未经REGAL-BELOIT CORPORATION书面授权, 不得泄露、复制、传播或作其他用途。—版权所有

REGAL REGAL-BELOIT CORPORATION

名称: MODEL-RFHP-48FR OUTLINE

图幅: C 图号: 11737-002

比例: NONE 页号: 1

D
C
B
A

D
C
B
A

4

3

2

1

4

3

2

1